



INSTRUCTIONS

J06255

2016-02-18



CHROME SWITCH HOUSING KIT

GENERAL

Kit Number

71500442

Models

For model fitment information, see the P&A retail catalog or the Parts and Accessories section of www.harley-davidson.com (English only).

Installation Requirements

⚠ WARNING

Rider and passenger safety depend upon the correct installation of this kit. Use the appropriate service manual procedures. If the procedure is not within your capabilities or you do not have the correct tools, have a Harley-Davidson dealer perform the installation. Improper installation of this kit could result in death or serious injury. (00333b)

NOTE

This instruction sheet refers to service manual information. A service manual for this year/model motorcycle is required for this installation and is available from a Harley-Davidson dealer.

Kit Contents

See Figure 1 and Table 1.

PREPARATION

Thoroughly review the entire HANDLEBAR CONTROL MODULES section of the service manual before installing this kit.

NOTE

For vehicles equipped with security siren: Verify that the Hands-Free Fob is present. Turn the ignition key switch to IGNITION.

⚠ WARNING

To prevent accidental vehicle start-up, which could cause death or serious injury, remove main fuse before proceeding. (00251b)

1. Refer to the service manual and follow the instructions to remove the main fuse.

INSTALLATION

Upper and Lower Switch Housing Disassembly

NOTE

Save all switch brackets and hardware for assembly into the chrome handlebar switch housings.

Cover the fuel tank and fender with H-D Service Covers or clean shop towels to prevent scratching the finish.

1. Refer to the service manual and follow the instructions to remove the **right-side** hand control from the vehicle.

NOTE

To ease assembly, note wire routing and placements in the switch housing before disassembly.

DO NOT cut any wires.

2. Follow service manual instructions to disassemble the right-side switch control upper and lower housings and remove the switch assembly. Retain the internal switch mounting bracket.
3. **Models with Handlebar-Mounted Turn Signals:** Slide the right turn signal wires and grommet out of the slot in the bottom of the lower switch housing.
4. **ALL models:** Remove the stop lamp switch from the lower housing per service manual instructions, and set aside for later installation. Discard the upper and lower housing halves.
5. Repeat Steps 2 and 3 for the left-side hand control.

NOTE

There is a clutch interlock switch in the left side handlebar switch housing. Note the location and orientation of the clutch interlock switch before removing it from the switch housing.

6. Remove the switch assembly and clutch interlock switch from the lower housing per service manual instructions, and set aside for later installation. Discard the upper and lower housing halves.

NOTE

If new chrome handlebar switch caps are being installed on the switches, follow the instructions in **that** kit to replace the black caps at this time.

⚠ WARNING

Wiring in the switch housings must be routed exactly as shown. Pinch points in the switch housings can short-circuit or sever wires, which could cause loss of control resulting in death or serious injury. (00415b)

Chrome Switch Housing Assembly

1. Follow service manual instructions to:
 - a. **Models with Handlebar-Mounted Turn Signals:** Slide the right turn signal wires and grommet into the slot in the bottom of the **new** lower switch housing.
 - b. **ALL models:** Install the switch assembly to the **new** lower housing per service manual instructions
 - c. Install the stop lamp switch to the lower housing per service manual instructions.
 - d. Refer to the service manual and follow the instructions to install the right-side hand control to the handlebar.

NOTE

Verify that the wire conduit is in the depression on the underside of the handlebar, and that the wire conduit will not be pinched under the handlebar when the switch housing screws are tightened.

2. Repeat Step 1 with the left-side switch assembly and chrome housings, installing the clutch interlock switch per service manual instructions.

Completion

⚠ WARNING

Be sure that steering is smooth and free without interference. Interference with steering could result in loss of vehicle control and death or serious injury. (00371a)

- Be sure wires, clutch cables and brake lines do not pull tight when handlebars are turned fully to left or right fork stops.

NOTE

Verify that the ignition key switch is in the OFF position before installing the main fuse.

1. Refer to the service manual and follow the instructions to install the main fuse.

⚠ WARNING

After installing seat, pull upward on seat to be sure it is locked in position. While riding, a loose seat can shift causing loss of control, which could result in death or serious injury. (00070b)

2. Refer to the service manual, and follow instructions to install the seat.
3. Turn the ignition key switch to IGNITION, but do not start the motorcycle. Test each handlebar switch for proper operation. Test for proper headlamp, turn signal, tail lamp and stop lamp operation. Test for proper clutch interlock function. Turn the handlebar to the left and right steering stops, testing the handlebar control functions at each stop.

SERVICE PARTS

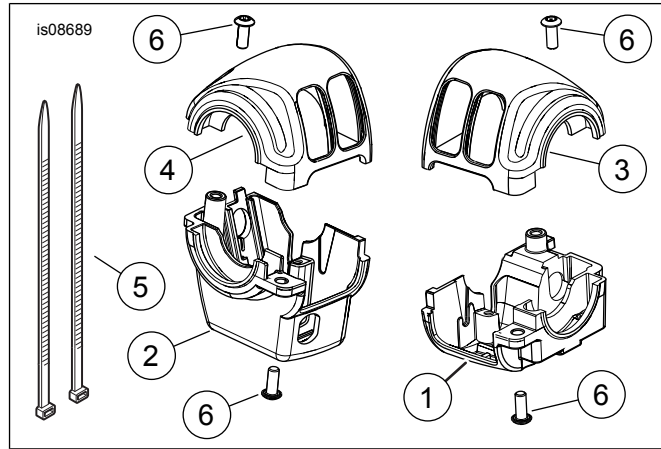


Figure 1. Service Parts, Chrome Switch Housing Kit

Table 1. Service Parts

Item	Description (Quantity)	Part Number
1	Switch housing, lower right, chrome	Not sold separately
2	Switch housing, lower left, chrome	Not sold separately
3	Switch housing, upper right, chrome	Not sold separately
4	Switch housing, upper left, chrome	Not sold separately
5	Cable strap (2)	10181
6	Screw, button head TORX, stainless #10-24 x 1/2 inch (4)	4292