



INSTRUCTIONS

J06285

2016-05-16



SCREAMIN' EAGLE 117 (1916 CC) BOLT-ON STAGE KIT

GENERAL

Kit Number

92500054, 92500055

Models

For model fitment information, see the P&A Retail Catalog or the Parts and Accessories section of www.harley-davidson.com (English only).

Installation Requirements

Separate purchase and installation of extra parts or accessories may be required for proper installation of this kit. See the P&A Retail Catalog or the Parts and Accessories section of www.harley-davidson.com (English only).

Proper installation of this kit also requires the use of Digital Technician™ at a Harley-Davidson dealer or a separate purchase or use of Screamin' Eagle Street Performance Tuner Kit.

NOTE

Do not use stock CVO pistons with the 4 in Bolt-on Cylinders or interference occurs between the pistons and crankcase.

⚠ WARNING

Rider and passenger safety depend upon the correct installation of this kit. Use the appropriate service manual procedures. If the procedure is not within your capabilities or you do not have the correct tools, have a Harley-Davidson dealer perform the installation. Improper installation of this kit could result in death or serious injury. (00333b)

NOTE

This instruction sheet references service manual information. A service manual for your model motorcycle is required for this installation. One is available from a Harley-Davidson dealer.

Kit Contents

See Figure 1 to Figure 3, and Table 1 to Table 3.

NOTE

Installation of this kit by an authorized Harley-Davidson dealer will not impact your limited vehicle warranty.

The kit is intended for High Performance applications only. This engine-related performance kit is legal for sale or use in select countries or regions on pollution controlled motor vehicles. Check with your local Harley-Davidson dealer for compliance requirements in your area.

A partial emissions tune-up label and a product information label are included with this kit as a requirement of the California Air Resource Board (CARB)/EPA emissions regulation. Locate

*the emissions label on the frame tube below the handlebars. Place the new partial label from this kit over the **top portion** of the emissions label on the frame tube.*

Locate the VIN label on the frame tube below the handlebars. Place the new product information label below the VIN label on the frame tube.

REMOVAL

Prepare for Service

1. Disarm security system.
2. Raise the motorcycle.
3. See the service manual. Remove seat.
4. See the service manual. Remove main fuse.

⚠ WARNING

When servicing the fuel system, do not smoke or allow open flame or sparks in the vicinity. Gasoline is extremely flammable and highly explosive, which could result in death or serious injury. (00330a)

5. See the service manual. Remove fuel tank.

Remove Engine Components

1. See the service manual. Remove existing air cleaner assembly.
2. See the service manual. Remove existing exhaust system.
3. See the service manual. Disassemble engine top end and cam plate assembly.

INSTALLATION

Install Engine Components

1. See Figure 3. Install new inner cam bearings included with this kit.
2. See Figure 1 through Figure 3. Assemble cams to cam plate and engine top end using parts from kit. Refer to appropriate ENGINE sections in service manual.
3. Assemble throttle body and injectors from kit using ordinal equipment fuel line and fuel rail. Follow instructions in supplied throttle body.
4. Install throttle body assembly to engine using intake flanges and seals supplied in the throttle body kit. Follow instructions in the supplied throttle body kit.
5. See the service manual. Install exhaust system.



6. Install air cleaner assembly. Follow instructions in air cleaner kit.

Final Assembly

1. See the service manual. Install fuel tank.
2. See the service manual. Install seat. After installing seat, pull up on the seat to verify that it is secure.
3. See the service manual. Install main fuse.

NOTICE

You must recalibrate the ECM when installing this kit. Failure to properly recalibrate the ECM can result in severe engine damage. (00399b)

SERVICE PARTS

4. Download the new ECM calibration using DIGITAL TECHNICIAN II (PART NUMBER: HD-48650) at a Harley-Davidson dealer or using Screamin' Eagle Street Performance Tuner Kit.

5. Run engine. Repeat several times to verify proper operation.

Operation

Refer to BREAK-IN RIDING RULES in the Owner's Manual to break in the motorcycle.

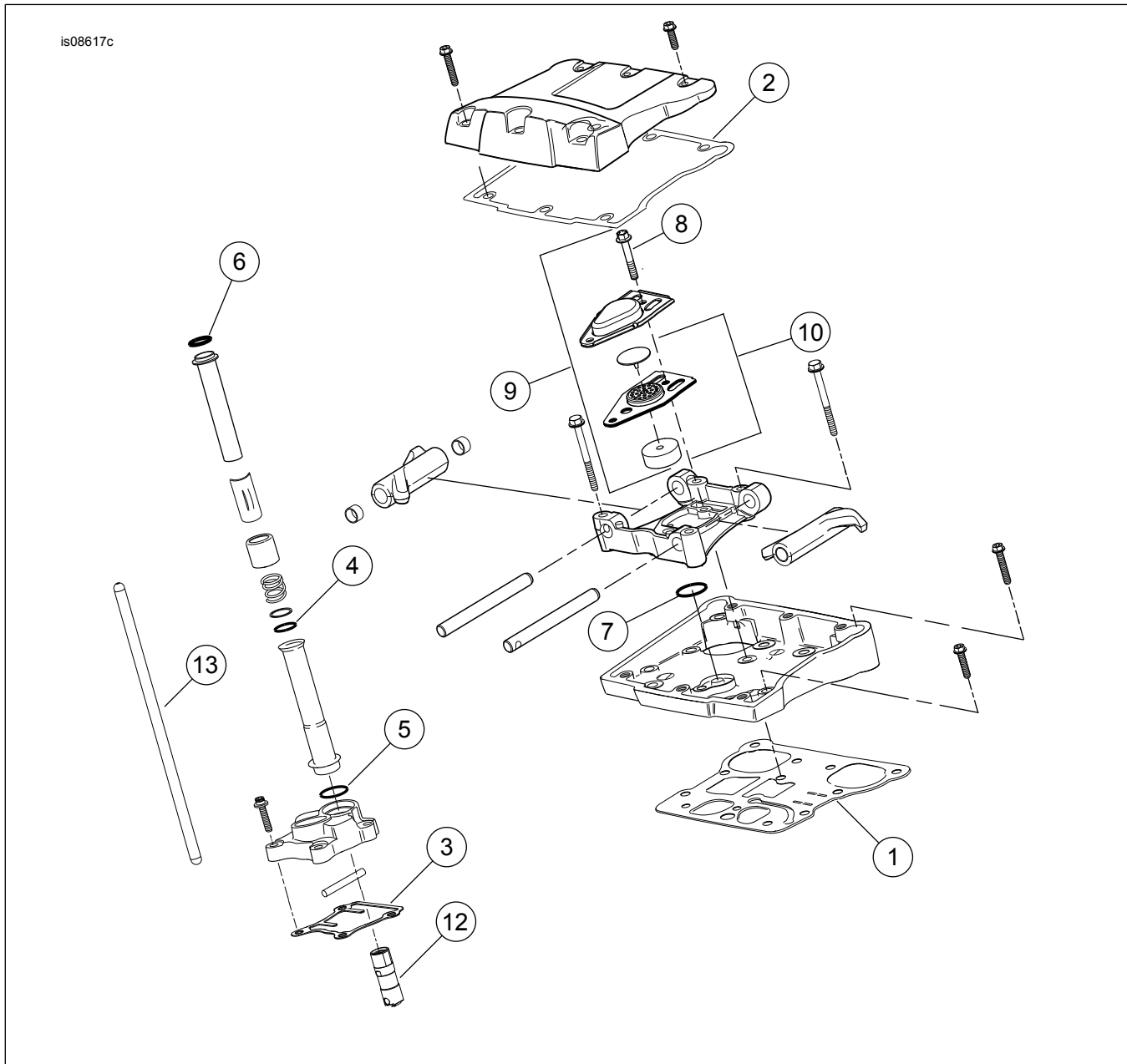


Figure 1. Service Parts: Screamin' Eagle Twin Cam 117 (1916 cc) Bolt-on Kit

Table 1. Service Parts: Screamin' Eagle Twin Cam 117 (1916 cc) Bolt-on Kit

Item	Description (Quantity)	Part Number	Item	Description (Quantity)	Part Number
1	Gasket, rocker cover base (2)	16719-99B	8	Breather bolt (4)	4400
2	Gasket, rocker cover top (2)	17386-99A	9	Breather assembly (2)	17025-03A
3	Gasket, tappet cover (2)	18635-99B	10	Baffle assembly (2) [includes gaskets (2)]	26500002
4	O-ring, middle push rod cover (4)	11132A	11	Valve seals (4) (Not Shown)	18067-09
5	O-ring, lower push rod cover (4)	11145A	12	High capacity lifter kit	18572-13
6	O-ring, upper push rod cover (4)	11293	13	Perfect fit pushrod kit, +.030 in	18401-03
7	O-ring, rocker arm support (2)	11270			

Notes: Items 1 through 11 are included in Top End Gasket Kit (17349-07B).

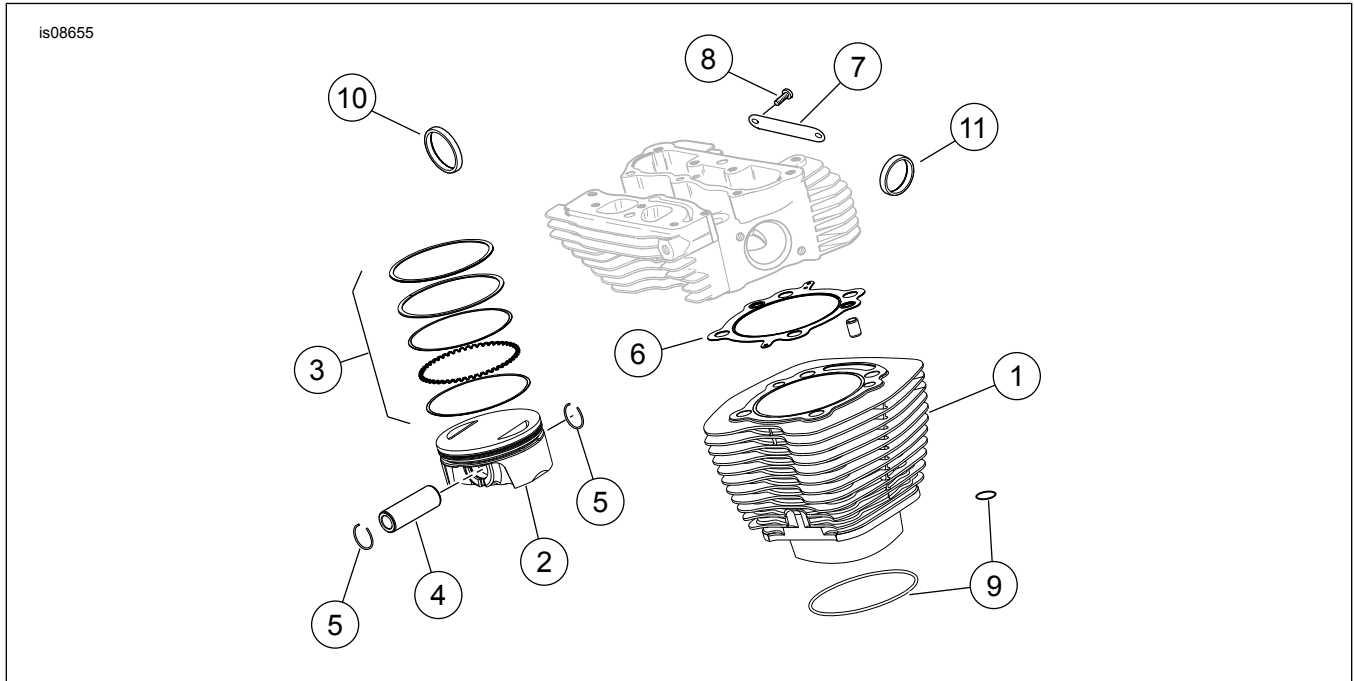


Figure 2. Service Parts: Screamin' Eagle Twin Cam 117 (1916 cc) Bolt-on Kit

Table 2. Service Parts: Screamin' Eagle Twin Cam 117 (1916 cc) Bolt-on Kit

Item	Description (Quantity)	Part Number	Item	Description (Quantity)	Part Number
1	Cylinder assembly (Black) (2)	16800126	6	Gasket, 4.125 in MLS cylinder head (2)	16500510
	Cylinder assembly (Granite) (2)	16800128	7	117 Medallion, cylinder head	Not Sold Separately
2	Piston (2)	Not Sold Separately	8	Screws (4), medallion	25800017
3	Piston Ring Set (2)	22000051	9	O-ring kit, cylinder base (1)	11907
4	Piston pin (2)	22100001	10	Gasket, exhaust port (2)	65324-99A
5	Piston pin circlip (4)	22097-99	11	Seal, intake manifold (2)	26995-86B

Notes: Piston Kit (2190079) includes 2 through 5.

Item 9 through 11 are also included in Top End Gasket Kit (17349-07B).

Items 1 through 8 are included in Piston and Cylinder Kit (92500050) Black and (92500051) Granite.

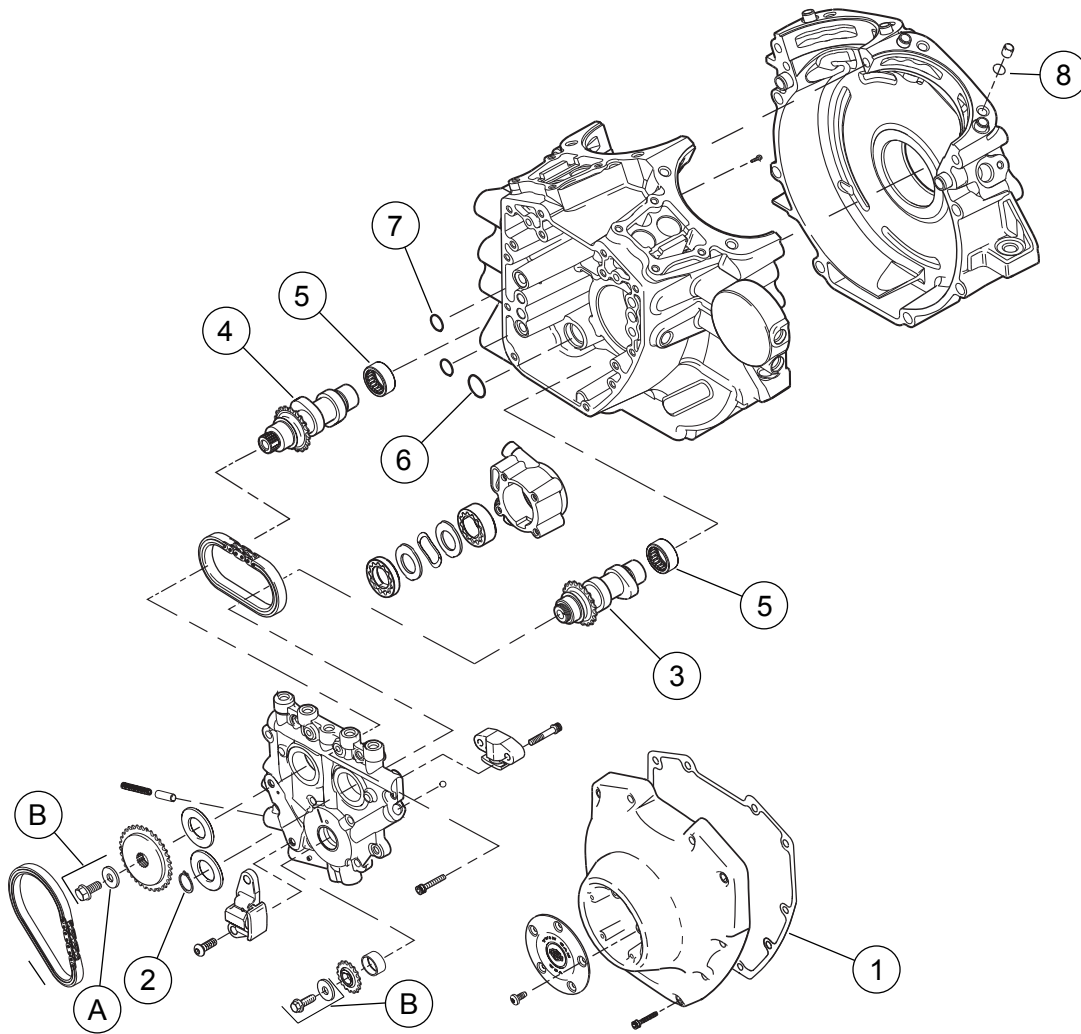


Figure 3. Service Parts: Screamin' Eagle Twin Cam 117 (1916 cc) Bolt-on Kit

Table 3. Service Parts: Screamin' Eagle Twin Cam 117 (1916 cc) Bolt-on Kit

Item	Description (Quantity)	Part Number
1	Gasket, cam cover	25244-99A
2	Retaining ring	11461
3	Camshaft, front	Not Sold Separately
4	Camshaft, rear	Not Sold Separately
5	Bearing kit, needle, left side (2)	24018-10
6	O-ring, oil pump to cam plate	11293
7	O-ring, cam plate to crankcase (2)	11301
8	O-ring kit, includes cylinder base O-rings	11907
9	Hi-flow injector kit (not shown)	27796-08
10	58 mm ETC throttle body kit (not shown)	27713-08
11	Partial Emission Tune-up Label (not shown)	Not Sold Separately
12	Product Information Label (not shown)	Not Sold Separately
Items mentioned in text, but not included in kit:		
A	Washer	6294
B	Cam drive retention kit (includes screw and washer)	25566-06
Items 3 and 4 are available in Cam Kit, SE259 (25482-10)		