



INSTRUCTIONS

J05722

2013-08-06



STREET BACKREST PAD KIT

GENERAL

Kit Number

52300281

Models

For model fitment information, see the P&A Retail Catalog or the Parts and Accessories section of www.harley-davidson.com (English only).

Kit Contents

See Figure 1 and Table 1.

INSTALLATION

1. Locate the mounting holes through the backrest pad material.
2. Cut the rain seal away from the mounting holes to prevent the plastic from interfering with the screw threads.
3. See Figure 1. Secure the backrest to the sissy bar upright using the screws from the kit.
4. Tighten the screws to 5.4 N·m (48 in-lbs).

SERVICE PARTS

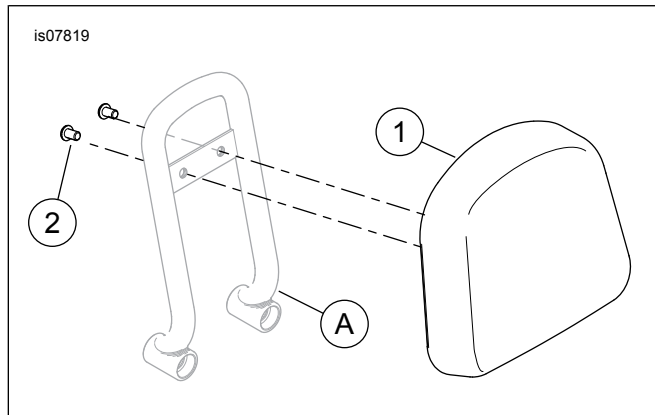


Figure 1. Service Parts: Street Backrest Pad

Table 1. Service Parts Table

Item	Description (Quantity)	Part Number
1	Backrest pad	Not Sold Separately
2	Screw	4858M
Items mentioned in text, but not included in kit:		
A	Upright	