



INSTRUCTIONS

J05727

2014-01-17



BRAKE PEDAL KIT, BURST COLLECTION

GENERAL

Kit Number

50600104, 50600140

Models

For model fitment information, see the P&A Retail Catalog or the Parts and Accessories section of www.harley-davidson.com (English only).

Kit Contents

See Figure 1 and Table 1.

⚠ WARNING

Rider and passenger safety depend upon the correct installation of this kit. Use the appropriate service manual procedures. If the procedure is not within your capabilities or you do not have the correct tools, have a Harley-Davidson dealer perform the installation. Improper installation of this kit could result in death or serious injury. (00333b)

INSTALLATION

1. Remove previously installed brake pedal cover from the motorcycle.
2. Position and slide new brake pedal cover over brake pedal.
3. Align and install new brake pedal pad with stud and insert it through the brake pedal cover and brake pedal.
4. Thread the acorn locknut and washer to the stud.
5. **For Kit 50600104:** Tighten locknut to 10.2–12.4 N·m (90–110 in-lbs). **For Kit 50600140:** Tighten locknut to 14–18 N·m (120–156 in-lbs).

SERVICE PARTS

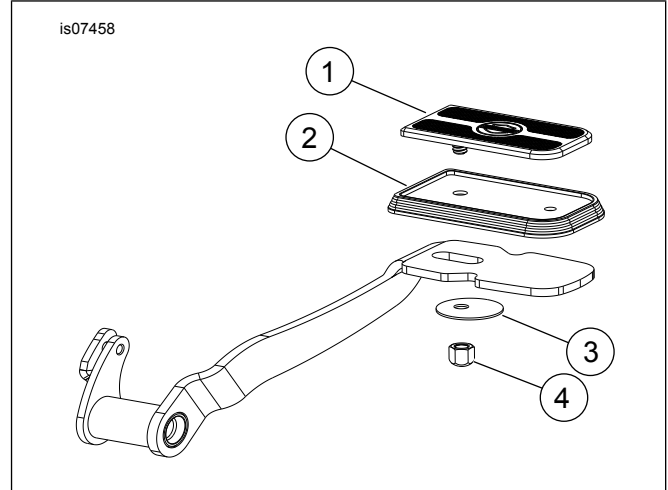


Figure 1. Service Parts: Brake Pedal Kit, Burst Collection - Kit 50600104 Shown

Table 1. Service Parts

Item	Description (Quantity)	Part Number
Kit 50600104		
1	Brake pedal pad	Not Sold Separately
2	Brake trim cover	Not Sold Separately
3	Washer	6333
4	Acorn locknut	7946
Kit 50600140		
1	Brake pedal pad	Not Sold Separately
3	Washer	6339
4	Acorn locknut	8078