



INSTRUCTIONS

J05647

2014-02-14



ELECTRA GLO™ TRIM RING KITS FOR SEVEN INCH HEADLAMP

GENERAL

Kit Numbers

61400152A, 61400153A

Models

For model fitment information, see the P&A retail catalog or the Parts and Accessories section of www.harley-davidson.com (English only).

Installation Requirements

2014-later FLHR (Road King) models require separate purchase of a jumper harness (Part No. 69200850).

Softail models with a Freight Train Headlight Nacelle installed require separate purchase of a jumper harness (Part No. 69200602).

Electrical Contact Lube (Part No. 99861-02) or equivalent is required for all unprotected electrical terminals, and after battery cable disconnection. This item is available from a Harley-Davidson dealer.

Use an assistant to aid in the testing procedure.

⚠ WARNING

Rider and passenger safety depend upon the correct installation of this kit. Use the appropriate service manual procedures. If the procedure is not within your capabilities or you do not have the correct tools, have a Harley-Davidson dealer perform the installation. Improper installation of this kit could result in death or serious injury. (00333b)

NOTE

This instruction sheet refers to service manual information. A service manual for this year/model motorcycle is required for this installation. One is available from a Harley-Davidson dealer.

ELECTRICAL OVERLOAD

NOTICE

It is possible to overload the vehicle's charging system by adding too many electrical accessories. If the combined electrical accessories operating at any one time consume more electrical current than the vehicle's charging system can produce, the electrical consumption can discharge the battery and cause damage to the vehicle's electrical system. (00211d)

⚠ WARNING

When installing any electrical accessory, be certain not to exceed the maximum amperage rating of the fuse or circuit breaker protecting the affected circuit being modified. Exceeding the maximum amperage can lead to electrical failures, which could result in death or serious injury. (00310a)

This kit requires up to **180 mA** more current from the electrical system.

Kit Contents

See Figure 3 and Table 1.

PREPARATION

For Vehicles With Main Fuse:

⚠ WARNING

To prevent accidental vehicle start-up, which could cause death or serious injury, remove main fuse before proceeding. (00251b)

NOTE

- **For 2007- later vehicles equipped with security siren:** With security fob present, turn ignition switch ON. After system is disarmed, turn ignition switch OFF. **IMMEDIATELY** remove the main fuse per the service manual.
- **For 2006- earlier vehicles equipped with security siren:** Disarm the siren with the key fob or security code. See the service manual to remove the main fuse.
- **For vehicles WITHOUT security siren:** See the service manual to remove the main fuse.

1. **All models:** Remove seat. Retain the seat and all mounting hardware.

For Vehicles With Main Circuit Breaker:

⚠ WARNING

To prevent accidental vehicle start-up, which could cause death or serious injury, disconnect battery cables (negative (-) cable first) before proceeding. (00307a)

⚠ WARNING

Disconnect negative (-) battery cable first. If positive (+) cable should contact ground with negative (-) cable connected, the resulting sparks can cause a battery explosion, which could result in death or serious injury. (00049a)



1. **For vehicles equipped with security siren:** Disarm the siren with the key fob or security code. **All models:** See the service manual to remove the seat. Retain all seat mounting hardware. Disconnect negative battery cable. Disconnect positive battery cable. Retain all seat mounting hardware.
2. Turn ignition switch OFF unless already done. Proceed to **INSTALLATION** for the specific model.
3. Remove the currently installed headlamp trim ring: Retain the mounting screw.
 - a. Remove the screw.
 - b. Rotate the ring counterclockwise.
4. Remove the wire form spring (2) from the trim ring.

INSTALLATION

2013-Earlier Electra Glide, Street Glide, Trike Models

1. Remove the outer fairing per the service manual.
2. Unplug the headlamp connector [38B].
3. See Figure 1. Remove the currently installed headlamp trim ring (1). Retain the mounting screw (3).
4. Remove the wire form spring (2) from the trim ring.
5. See Figure 3. Install the wire form spring (B) into the Electra Glo™ trim ring. The legs of the spring must engage the slots in the Electra Glo LED assembly.
6. **Models WITHOUT LED Headlamps:** Route the Electra Glo trim ring wiring through the gap between the headlamp bucket and the headlamp mounting ring. **Models WITH LED Headlamps:** Route the Electra Glo trim ring wiring through the slot in the headlamp mounting ring assembly.
7. Mount the Electra Glo trim ring assembly to the headlamp bucket/mounting ring using the OE screw. Make sure that the spring tab engages the slot in the headlamp mount.
8. See Figure 2. Insert the trim ring wire socket terminals (5) into the connector from the kit per the Tyco/AMP connector section of the service manual:
 - Orange/White wire into Cavity 1.
 - Black wire into Cavity 2.

NOTE

If also installing an Electra Glo Trim Ring Kit for 4.5 in auxiliary lamps, install **that** kit now.

9. Bring the outer fairing to the vehicle.
10. Plug in the headlamp connector.
11. Plug the terminated Electra Glo Trim Ring wiring into the jumper harness from the kit.
12. Plug the black wire spade terminal on the jumper harness into the black HDI position lamp terminal. Plug the Orange/White wire spade terminal on the jumper harness into the Orange/White HDI position lamp terminal.
13. Use the cable straps (4) and adhesive backed clips (5) from the kit to secure the wiring. Make sure wires do not pull tight when handlebars are turned fully to left or right fork stops.
14. Install the outer fairing per the service manual. Proceed to **COMPLETION**.

2014-Later Electra Glide, Street Glide, Trike Models

1. Remove the outer fairing per the service manual.
2. Unplug the headlamp connector [38B].

5. See Figure 3. Install the wire form spring (B) into the Electra Glo trim ring. The legs of the spring must engage the slots in the Electra Glo LED assembly.
6. Get the (2) neoprene pads (6) from the kit.
 - a. See Figure 4. Place the Electra Glo trim ring face up on the template provided in these instructions.
 - b. Align the outside diameter of the trim ring with the arc on the template.
 - c. Rotate the trim ring on the template until the screw slot is aligned with the black alignment mark on the template.
 - d. Clean the inside of the trim ring next to the pad locations shown on the template with a 50-50 mixture of isopropyl alcohol and distilled water. Let dry completely.
 - e. Peel off the adhesive backing from the pads. Install the pads to the inside of the trim ring where shown on the template. Align the pads flush against the back edge of the trim ring.
 - f. Route the Electra Glo trim ring wiring through the slot in the headlamp mounting ring assembly.
7. Position the Electra Glo trim ring assembly onto the headlamp mounting ring with the screw hole at the five o'clock position. Rotate the trim ring assembly clockwise to align the bottom mounting screw holes. Engage the spring tab with the slot in the headlamp mounting. Secure the ring with the OE screw.
8. See Figure 2. Insert the trim ring wire socket terminals into the connector from the kit per the Tyco/AMP connector section of the service manual:
 - Orange/White wire into Cavity 1.
 - Black wire into Cavity 2.

NOTE

If also installing an Electra Glo Trim Ring Kit for 4.5 in auxiliary lamps, install **that** kit now.

9. Bring the outer fairing to the vehicle.
10. Plug in the headlamp connector.
11. Remove the dust cap and plug the terminated Electra Glo Trim Ring wiring into the open vehicle connector [C299A].
12. Use the cable straps (4) and adhesive backed clips (5) from the kit to secure the wiring. Make sure wires do not pull tight when handlebars are turned fully to left or right fork stops.
13. Install the outer fairing per the service manual. Proceed to **COMPLETION**.

2013-Earlier Road King Models

1. See Figure 1. Remove the currently installed headlamp trim ring (1). Retain the mounting screw (3).
2. Remove the wire form spring (2) from the trim ring.

3. See Figure 3. Install the wire form spring (B) into the Electra Glo trim ring. The legs of the spring must engage the slots in the Electra Glo LED assembly.
4. Remove the headlamp retaining ring, Remove the headlamp.
5. Bring the Electra Glo Trim Ring to the vehicle.
6. **Models WITHOUT LED Headlamps:** Route the Electra Glo trim ring wiring through the gap between the headlamp bucket and the headlamp mounting ring. **Models WITH LED Headlamps:** Route the Electra Glo trim ring wiring through the slot in the headlamp mounting ring assembly.
7. Support the trim ring. See Figure 2. Insert the trim ring wire socket terminals into the connector from the kit per the Tyco/AMP connector section of the service manual:
 - Orange/White wire into Cavity 1.
 - Black wire into Cavity 2.
8. Secure the jumper harness to existing wiring using the cable straps (4) from the kit.
9. Get the two neoprene pads (6) from the kit.
 - a. See Figure 4. Place the Electra Glo trim ring face up on the template provided in these instructions.
 - b. Align the outside diameter of the trim ring with the arc on the template.
 - c. Rotate the trim ring on the template until the screw slot is aligned with the black alignment mark on the template.
 - d. Peel off the adhesive backing from the pads. Install the pads to the inside of the trim ring where shown on the template. Align the pads flush against the back edge of the trim ring.
 - e. Bring the Electra Glo Trim Ring to the vehicle.
 - f. Route the Electra Glo trim ring wiring through the slot in the headlamp mounting ring assembly.

NOTE

*If also installing an Electra Glo Trim Ring Kit for 4.5 in auxiliary lamps, install **that** kit now.*

8. Plug the terminated Electra Glo Trim Ring wiring into the jumper harness from the kit.
9. Plug the Black spade terminal on the jumper harness into the Black HDI position lamp terminal. Plug the Orange/White spade terminal on the jumper harness into the Orange/White HDI position lamp terminal.
10. Use the cable straps (4) and adhesive backed clips (5) from the kit to secure the wiring. Make sure wires do not pull tight when handlebars are turned fully to left or right fork stops.
11. Install the headlight and headlight retaining ring using the OE hardware.
12. Mount the Electra Glo trim ring assembly to the headlamp bucket/mounting ring using the OE screw. Make sure that the spring tab engages the slot in the headlamp mount. Proceed to **COMPLETION**.

2014-Later Road King Models

1. Remove the currently installed headlamp trim ring: Retain the mounting screw.
 - a. Remove the screw.
 - b. Rotate the ring counterclockwise.
2. Remove the wire form spring (2) from the trim ring.
3. See Figure 3. Install the wire form spring (B) into the Electra Glo trim ring. The legs of the spring must engage the slots in the Electra Glo LED assembly.
4. Remove the headlamp retaining ring, Remove the headlamp.
5. Unplug the main harness from the accessory power (right side) toggle switch connector [C67A].
6. Get the jumper harness (Part No. 69200850, purchased separately). Plug the jumper harness into the open connectors.
7. Attach the ground wire from the jumper harness to the ground screw on the fork bracket.

10. Support the trim ring. See Figure 2. Insert the trim ring wire socket terminals into the connector from the kit per the Tyco/AMP connector section of the service manual:
 - Orange/White wire into Cavity 1.
 - Black wire into Cavity 2.

NOTE

*If also installing an Electra Glo Trim Ring Kit for 4.5 in auxiliary lamps, install **that** kit now.*

11. Plug the terminated Electra Glo trim ring wires into the open connector on the jumper harness.
12. Use the cable straps (4) and adhesive backed clips (5) from the kit to secure the wiring. Make sure wires do not pull tight when handlebars are turned fully to left or right fork stops.
13. Install the headlight and headlight retaining ring using the OE hardware.
14. Position the Electra Glo trim ring assembly onto the headlamp mounting ring with the screw hole at the five o'clock position. Rotate the trim ring assembly clockwise to align the bottom mounting screw holes. Engage the spring tab with the slot in the headlamp mounting. Secure the ring with the OE screw. Proceed to **COMPLETION**.

Dyna FLD Models

1. See Figure 1. Remove the currently installed headlamp trim ring (1). Retain the mounting screw (3).
2. Remove the wire form spring (2) from the trim ring.
3. See Figure 3. Install the wire form spring (B) into the Electra Glo trim ring. The legs of the spring must engage the slots in the Electra Glo LED assembly.
4. Remove the headlamp retaining ring, Remove the headlamp.
5. Bring the Electra Glo Trim Ring to the vehicle.
6. **Models WITHOUT LED Headlamps:** Route the Electra Glo trim ring wiring through the gap between the headlamp bucket and the headlamp mounting ring. **Models WITH LED Headlamps:** Route the Electra Glo trim ring wiring through the slot in the headlamp mounting ring assembly.

7. Support the trim ring. See Figure 2. Insert the trim ring wire socket terminals into the connector from the kit per the Tyco/AMP connector section of the service manual:
 - Orange/White wire into Cavity 1.
 - Black wire into Cavity 2.

NOTE

*If also installing an Electra Glo Trim Ring Kit for 4.5 in auxiliary lamps, install **that** kit now.*

8. Plug the Black spade terminal on the jumper harness into the Black HDI position lamp terminal. Plug the Orange/White spade terminal on the jumper harness into the Blue/Black HDI position lamp terminal.
9. Use the cable straps (4) and adhesive backed clips (5) from the kit to secure the wiring. Make sure wires do not pull tight when handlebars are turned fully to left or right fork stops.
10. Install the headlight and headlight retaining ring using the OE hardware.
11. Mount the Electra Glo trim ring assembly to the headlamp bucket/mounting ring using the OE screw. Make sure that the spring tab engages the slot in the headlamp mount. Proceed to **COMPLETION**.

Softtail models with Freight Train Headlight Nacelle

1. See Figure 1. Remove the currently installed headlamp trim ring (1). Retain the mounting screw (3).
2. Remove the wire form spring (2) from the trim ring.
3. See Figure 3. Install the wire form spring (B) into the Electra Glo trim ring. The legs of the spring must engage the slots in the Electra Glo LED assembly.
4. Remove the headlamp retaining ring, Remove the headlamp.
5. Bring the Electra Glo Trim Ring to the vehicle.
6. **Models WITHOUT LED Headlamps:** Route the Electra Glo trim ring wiring through the gap between the headlamp bucket and the headlamp mounting ring. **Models WITH LED Headlamps:** Route the Electra Glo trim ring wiring through the slot in the headlamp mounting ring assembly.
7. Support the trim ring. See Figure 2. Insert the trim ring wire socket terminals into the connector from the kit per the Tyco/AMP connector section of the service manual:
 - Orange/White wire into Cavity 1.
 - Black wire into Cavity 2.

NOTE

*If also installing an Electra Glo Trim Ring Kit for 4.5 in auxiliary lamps, install **that** kit now.*

8. Plug the terminated Electra Glo Trim Ring wiring into jumper harness 69200602 (purchased separately). **Softtail models EXCEPT FLSTC:** Plug the jumper harness into the open connector on the headlamp harness located under the left side of the fuel tank. **FLSTC models:** Unplug the fender tip light from the connector on the headlamp harness located under the left side of the fuel tank. Plug the jumper harness into the open headlamp harness connector. Plug the fender tip light into the open connector on the jumper.

9. Use the cable straps (4) and adhesive backed clips (5) from the kit to secure the wiring. Make sure wires do not pull tight when handlebars are turned fully to left or right fork stops.
10. Install the headlight and headlight retaining ring using the OE hardware.
11. Mount the Electra Glo trim ring assembly to the headlamp bucket/mounting ring using the OE screw. Make sure that the spring tab engages the slot in the headlamp mount. Proceed to **COMPLETION**.

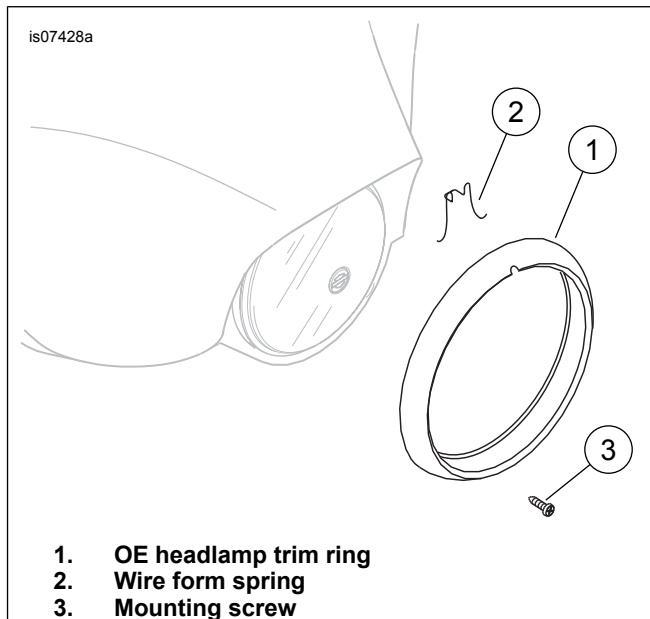


Figure 1. Remove OE Trim Ring (FLHT Shown)

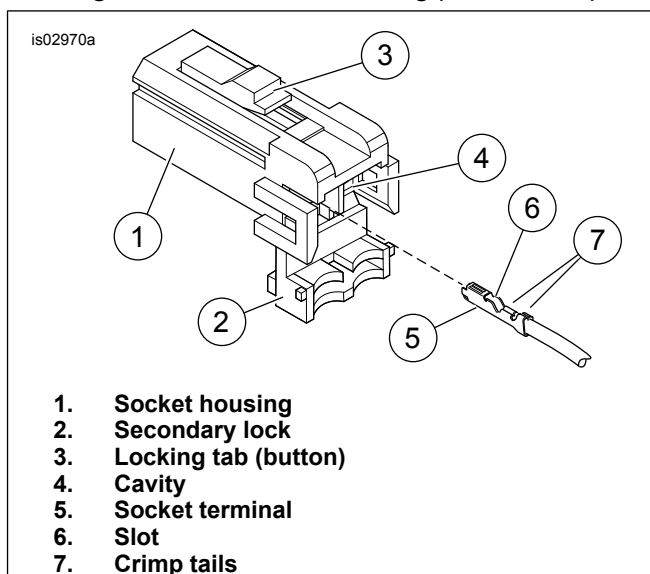


Figure 2. Socket Terminal Installation

COMPLETION

▲ WARNING

Be sure that steering is smooth and free without interference. Interference with steering could result in loss of vehicle control and death or serious injury. (00371a)

- Make sure wires, clutch cables, throttle/idle cables and brake lines do not pull tight when handlebars are turned fully to left or right fork stops.

NOTE

Verify that the ignition is OFF **before** installing the main fuse or attaching the negative battery cable.

1. **Models with main fuse:** See the service manual to install the main fuse. **Models with main circuit breaker:** See the service manual to attach the negative battery cable. Apply a light coat of Electrical Contact Lube (Part No. 99861-02) or equivalent to battery terminals.
2. Test the Electra Glo Trim Ring for proper operation:
 - a. Turn ignition switch OFF. The trim ring LEDs are OFF.
 - b. Turn ignition switch to ACC. The trim ring LEDs are ON.
 - c. Turn ignition switch ON. The trim ring LEDs are ON.

⚠ WARNING

After installing seat, pull upward on seat to be sure it is locked in position. While riding, a loose seat can shift causing loss of control, which could result in death or serious injury. (00070b)

3. See the service manual to install the seat.

SERVICE PARTS

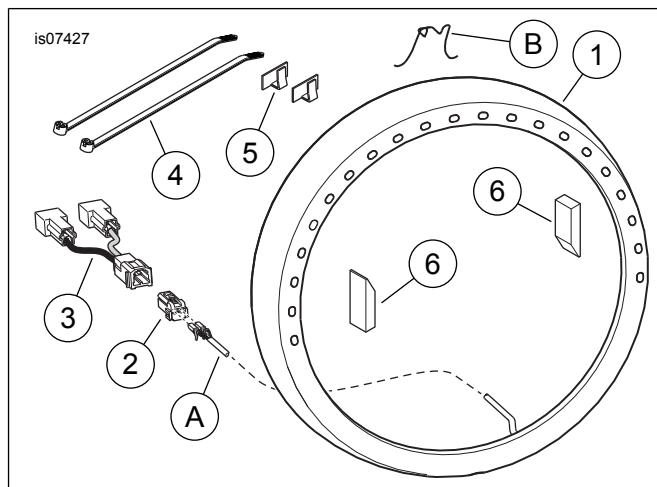


Figure 3. Service Parts, Electra Glo Trim Ring Kits for Seven Inch Headlamp

Table 1. Service Parts

Item	Description (Quantity)	Part Number
1	Electra Glo trim ring, 7 in	Not sold separately
2	Two-way socket housing (Tyco/Amp)	73152-96BK
3	Wire harness, headlamp trim ring	69200604
4	Cable strap (2)	10065
5	Clip, adhesive back (2)	10102
6	Neoprene pad (2)	11100112
Items mentioned in text, but not included in kit.		
A	Trim ring wiring and socket terminals	
B	OE wire form spring	

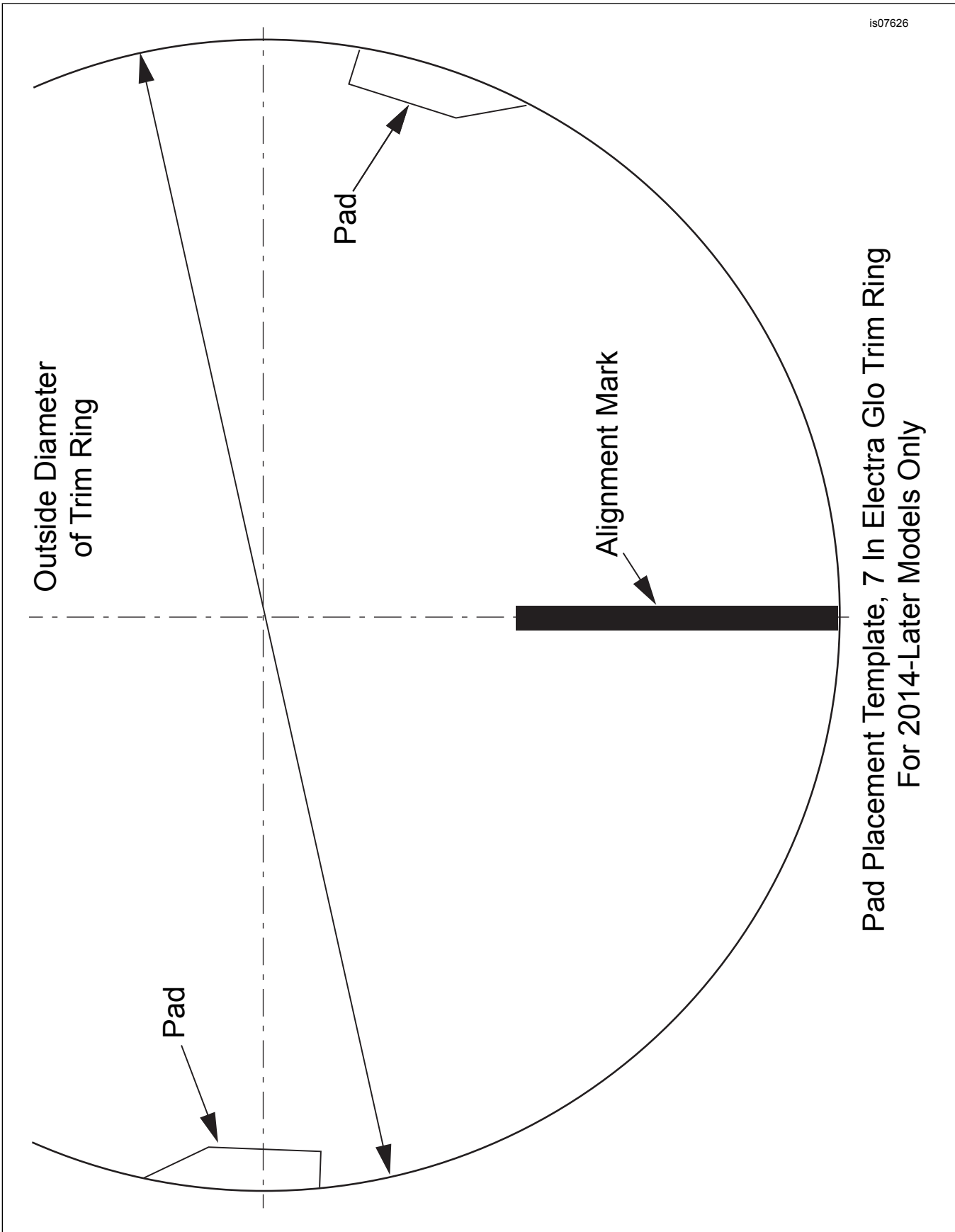


Figure 4. Pad Placement Template, 7 In Electra Glo Trim Ring For 2014-Later Models Only