



# INSTRUCTIONS

J05651

2013-08-06



## STREET UPRIGHT KIT

### GENERAL

#### Kit Number

52300283, 52300307

#### Models

For model fitment information, see the P&A Retail Catalog or the Parts and Accessories section of [www.harley-davidson.com](http://www.harley-davidson.com) (English only).

### Kit Contents

See Figure 1 and Table 1.

### INSTALLATION

1. See Figure 1. Remove two screws (B) from luggage rack (A).
2. Install upright (1) to luggage rack (A). Secure with two screws (2).
3. Tighten the screws to 81 N·m (60 ft-lbs).

### SERVICE PARTS

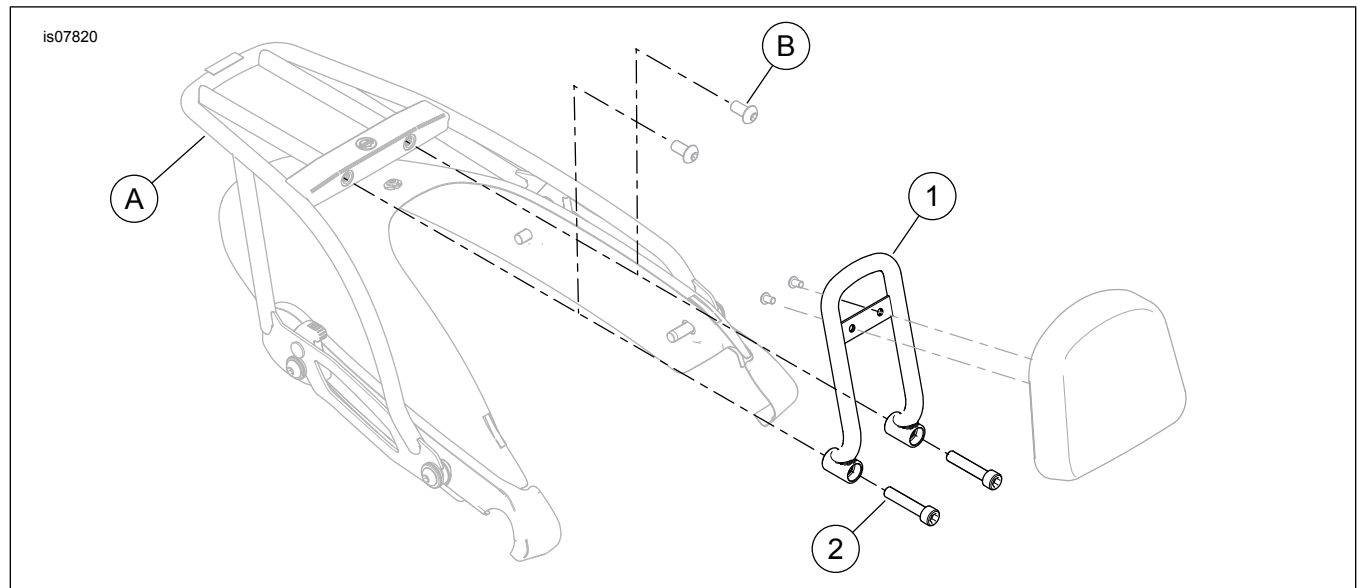


Figure 1. Service Parts: Street Upright Kit

Table 1. Service Parts Table

| Item   | Description (Quantity) | Part Number         |
|--|------------------------|---------------------|
| 1  | Upright                | Not Sold Separately |
| 2  | Screw (2)              | 10200208            |
| <b>Items mentioned in text, but not included in kit:</b> |                        |                     |
| A  | Luggage Rack           |                     |
| B  | Screw (2)              |                     |

