



INSTRUCTIONS

J03354

2016-08-22



FOOTBOARD EDGE LIGHT KIT

GENERAL

Kit Number

50743-04

Kit Contents

See Figure 6 and Table 1

Models

This kit is designed for use on all models with original equipment rider foot boards except for 2005 FLSTN/I model motorcycles.

For model fitment information, see the P&A retail catalog or the Parts and Accessories section of www.harley-davidson.com (English only).

NOTE

This instruction sheet refers to service manual information. A Service Manual for your model motorcycle is available from your Harley-Davidson Dealer.

Installation Requirements

2014-2016 Touring Models: Separate purchase of harness extension (Part No. 69200722) is required to locate the accessory circuit connector.

2017 and Later Touring Models: Separate purchase of harness extension (Part No. 69201599) is required to locate the accessory circuit connector.

REMOVAL

1. Remove the seat according to the applicable Service Manual instructions.

⚠ WARNING

To prevent accidental vehicle start-up, which could cause death or serious injury, disconnect negative (-) battery cable before proceeding. (00048a)

⚠ WARNING

Disconnect negative (-) battery cable first. If positive (+) cable should contact ground with negative (-) cable connected, the resulting sparks can cause a battery explosion, which could result in death or serious injury. (00049a)

2. Disconnect battery cables, negative cable first.
3. On Softail models only, remove the battery in order to route the electrical wiring up to the battery area.

INSTALLATION

1. See Figure 1. Starting with the left side footboard (1), tilt footboard to the upright position for access to bottom of footboard.
2. Using a window cleaning solution, spray the three rubber bumper tabs (2) protruding through the bottom of the footboard.
3. Starting with the center hole, apply upward pressure to the light housing (3) and using pliers, pull down on rubber bumper tab until light is seated onto tab. Repeat for left and right side tabs.
4. Repeat procedure for right side footboard.

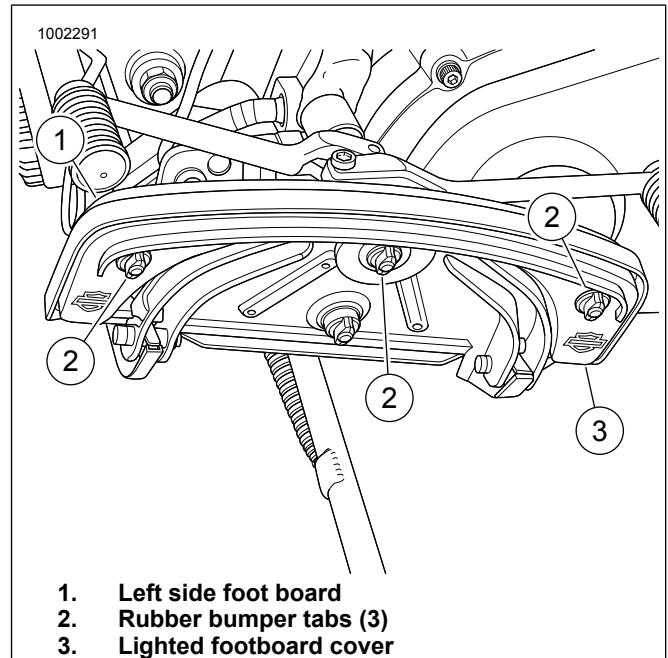


Figure 1. Lighted Footboard Cover Installation

ROUTING WIRING

NOTE

Wiring for the right side footboard light will run from the front of the footboard. Wiring for the left side footboard light will run from the back of the footboard.

⚠ WARNING

Failure to provide adequate clearance between stationary and moving parts can cause loss of control, which could result in death or serious injury. (00378a)



NOTE

Ensure that footboard harness wires are routed so as not to come in contact with footboard swivel hinge, drive belt, exhaust pipe jiffy stand or sharp edges.

All Models: Starting with the left side foot board, route wire across footboard right front bracket to underside of vehicle frame. Secure wire with short wire ties. Continue running wire toward rear of vehicle along bottom of frame until you reach the vertical frame support. Secure wires along bottom frame. Feed wire up vertical frame support taking care that wire does not contact drive belt. Feed wire up into battery compartment area. Secure wire along vertical frame support using two long wire ties from kit. Repeat wire installation on right side of vehicle.

Electrical Connections – All 1994 and Later Touring Models

1. See Figure 2. Starting with the left side footboard (1), tilt footboard to the upright position for access to bottom of footboard.
2. Using a window cleaning solution, spray the three rubber bumper tabs (2) protruding through the bottom of the footboard.
3. Starting with the center hole, apply upward pressure to the light housing (3) and using pliers, pull down on rubber bumper tab until light is seated onto tab. Repeat for left and right side tabs.
4. Repeat procedure for right side footboard.

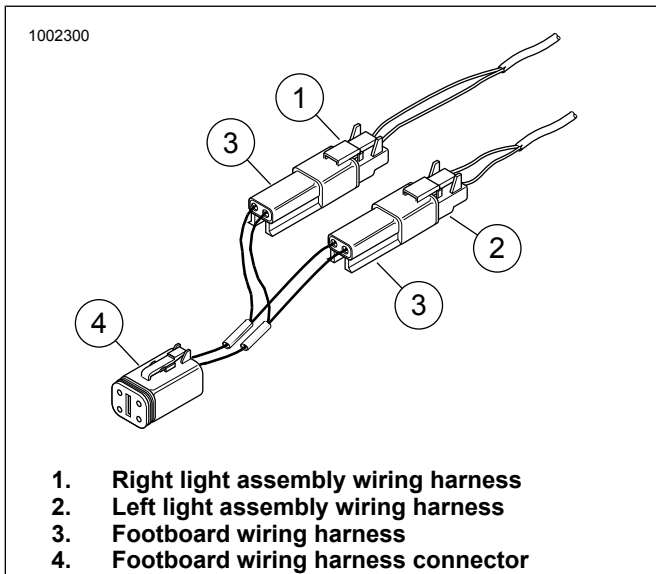


Figure 2. Electrical Connections - All 1994 and Later Touring Models

Electrical Connections – All Softail Models

NOTE

On all Softail models it is necessary to splice the adapter harness into the existing wiring. Pre-insulated ring terminal and butt connectors are included in this kit.

1. See Figure 3. Plug the right (1) and left (2) light assembly wiring harnesses into the footboard wiring harness (3) supplied in the kit.
2. Remove the Duetsch connector (4) according to the instructions in the applicable Service Manual.
3. Cut the existing terminal from the black wire (5), as close to the connector as possible. Strip a 3/8 in. (10 mm) section of insulation from the end of the black wire and install a ring terminal (6) supplied in the kit.
4. See Figure 4. Connect the ring terminal to a ground stud (1) located under the seat.
5. See Figure 3. With the Duetsch connector disassembled, strip insulation from the orange wire (or orange/white) and install a pre-insulated, seal splice connector (8) supplied in the kit.

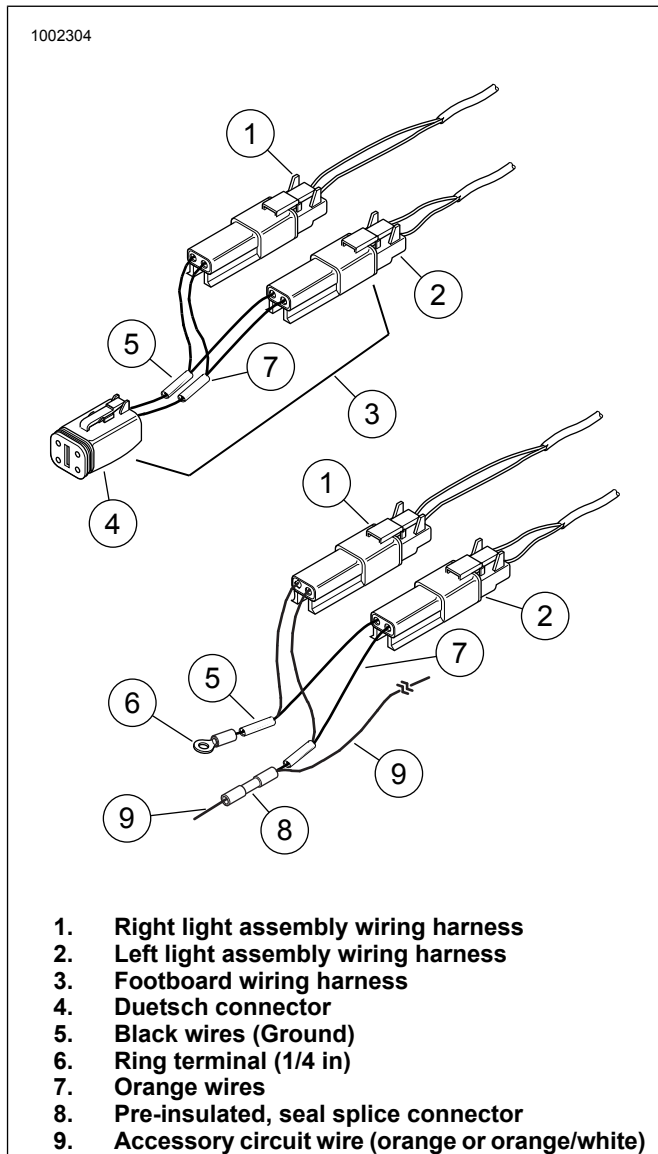


Figure 3. Electrical Connections (All Softail Models)

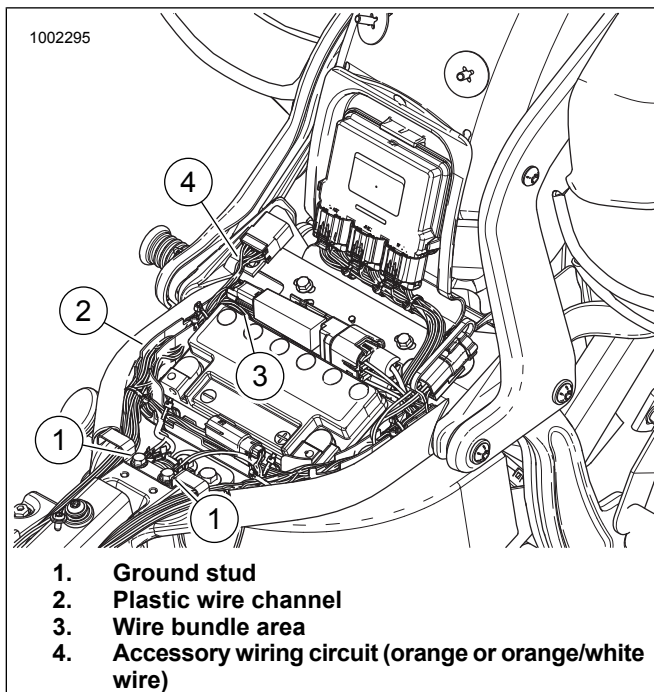


Figure 4. Electrical Connections Locations

6. See Figure 5. Splice the other end of the connector into an accessory wiring circuit (9) on the main harness near the rear lighting connector (2) under the seat (orange or orange/white wire).

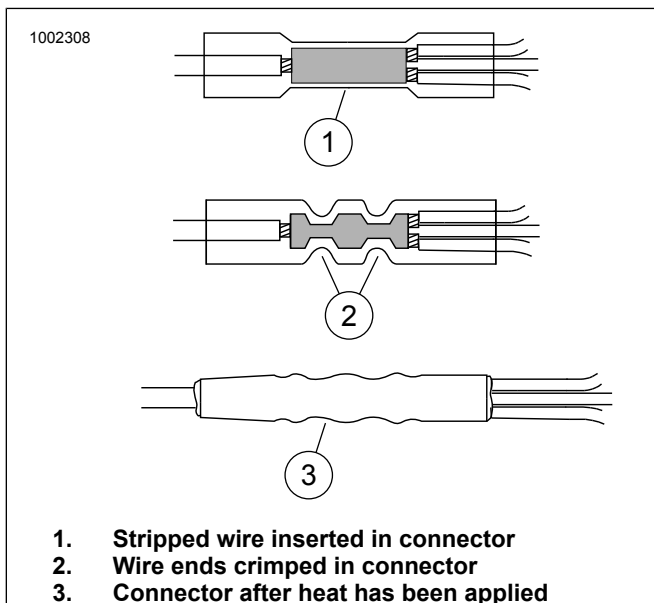


Figure 5. Install Sealed Butt Connectors

7. Route wires into plastic wire channel (4) and bundle excess wires and place at front of battery (3). Proceed to FINAL ASSEMBLY.

Splicing Directions

1. Cut the terminals off the wires as close to the terminals as possible
2. Strip a 3/8 in. (10 mm) section of insulation from the end of each wire to be spliced.
3. See Figure 5. For each splice, insert the wire ends into the splice connector as shown.
4. Match the color of the butt splice connector with the color of the crimp cavity of the crimping tool. Using an Crimping Tool (H-D 38125-8), crimp the wires into the connector.

⚠ WARNING

Be sure to follow manufacturer's instructions when using the UltraTorch UT-100 or any other radiant heating device. Failure to follow manufacturer's instructions can cause a fire, which could result in death or serious injury. (00335a)

- Avoid directing heat toward any fuel system component. Extreme heat can cause fuel ignition/explosion resulting in death or serious injury.
- Avoid directing heat toward any electrical system component other than the connectors on which heat shrink work is being performed.
- Always keep hands away from tool tip area and heat shrink attachment.

Using UltraTorch UT-100 (H-D 39969), Robinair Heat Gun (H-D 25070) with heatshrink Attachment (H-D 41183), or other suitable radiant heating device, heat the crimped splice to encapsulate the butt splice connector. Apply heat from the center of the crimp out to each end until the meltable sealant exudes out of both ends of the connector.

FINAL ASSEMBLY

⚠ WARNING

Connect positive (+) battery cable first. If positive (+) cable should contact ground with negative (-) cable connected, the resulting sparks can cause a battery explosion, which could result in death or serious injury. (00068a)

1. Connect the battery cables, positive cable first.
2. See service manual. Install seat. After installing seat, pull up on the seat to verify that it is secure.

SERVICE PARTS

1002312

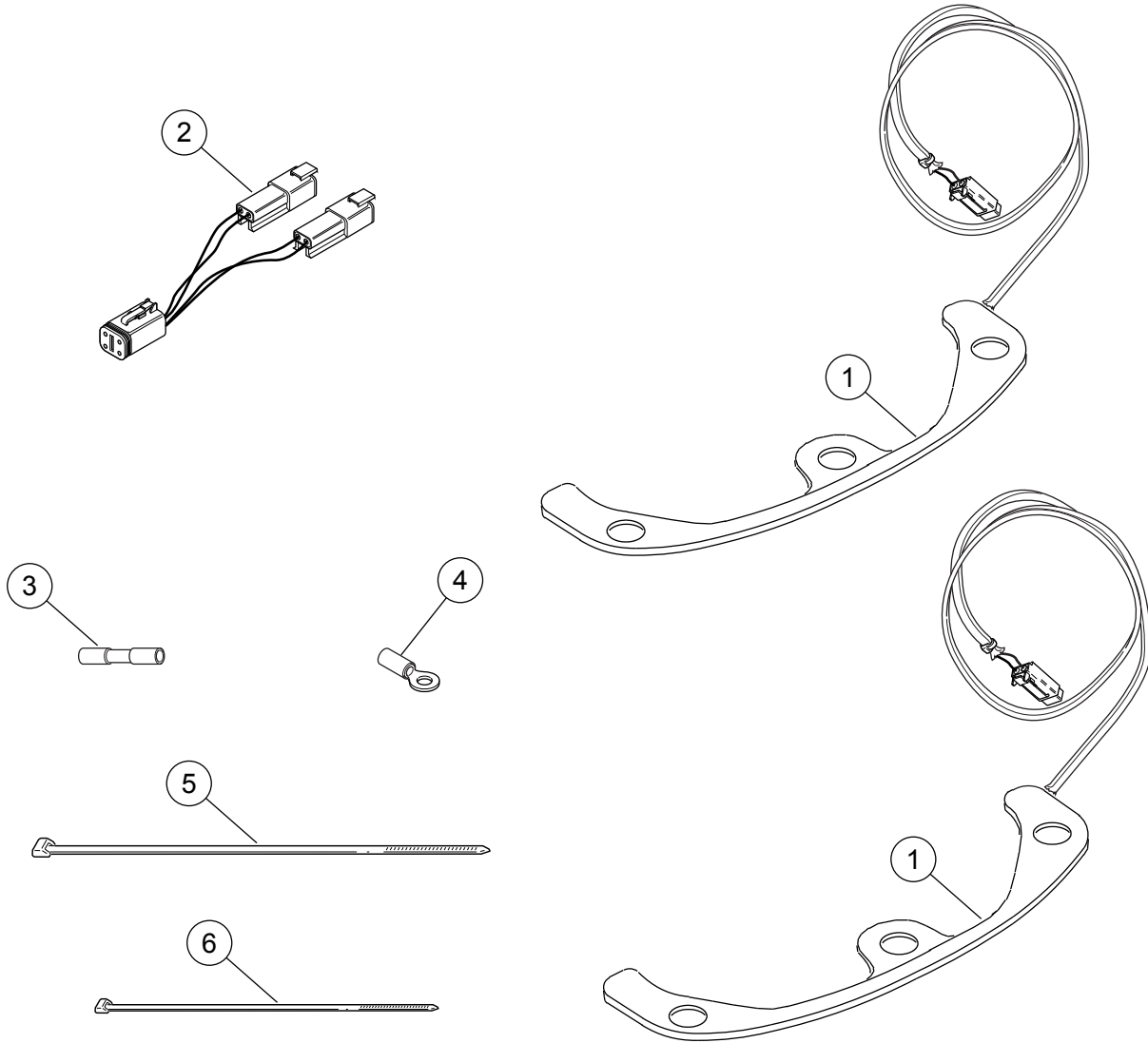


Figure 6. Footboard Edge Light Kit

Table 1.

Item	Description	Part No.
1	Footboard Edge Light (2)	50744-04
2	Wiring Harness, Footboard	70281-03A
3	Connector, Pre-insulated, Seal Splice (2)	70586-93
4	Ring Terminal, Pre-insulated, 1/4 in. ID	9863
5	Strap, Cable (12)	10006
6	Strap, Cable (long) (4)	10039