



# INSTRUCTIONS

J06332

2016-09-14



## SPECTRA GLO LED R/G/B SADDLEBAG STAGE II SPEAKER LIGHT KIT

### Kit Numbers

68000233

### Models

For model fitment information, see the P&A retail catalog or the Parts and Accessories section of [www.harley-davidson.com](http://www.harley-davidson.com) (English only).

### Installation Requirements

Separate purchase of Harley-Davidson LED Controller Kit (part number 68000218 ), if not already installed.

#### ⚠ WARNING

Rider and passenger safety depend upon the correct installation of this kit. Use the appropriate service manual procedures. If the procedure is not within your capabilities or you do not have the correct tools, have a Harley-Davidson dealer perform the installation. Improper installation of this kit could result in death or serious injury. (00333b)

Spectra Glo light pods are designed and intended for display use only. Some local regulations prohibit using colored or indirect lighting during vehicle operation on public streets. Check local regulations before installation.

### Electrical Overload

#### NOTICE

It is possible to overload the vehicle's charging system by adding too many electrical accessories. If the combined electrical accessories operating at any one time consume more electrical current than the vehicle's charging system can produce, the electrical consumption can discharge the battery and cause damage to the vehicle's electrical system. (00211d)

#### ⚠ WARNING

When installing any electrical accessory, be certain not to exceed the maximum amperage rating of the fuse or circuit breaker protecting the affected circuit being modified. Exceeding the maximum amperage can lead to electrical failures, which could result in death or serious injury. (00310a)

### Kit Contents

See Figure 11. and Table 1.

### PREPARATION

1. See service manual. Remove main fuse.

2. See service manual. Remove saddlebags.

3. If Controller Kit (part number 68000218) is not installed, install now following instructions in that kit.

4. **NOTE**

*Unfinished saddlebag covers must be finish painted before speaker installation.*

*To minimize damage to paint during cutting and drilling. Cover both sides of the area being drilled or cut with masking tape.*

Place the saddlebag on a protected surface with mounting (inboard) side facing up.

### INSTALLATION

The Spectra Glo RGB kits can be connected together in a variety of ways. Some examples are daisy chain, Tee, and Y. An open end of a harness or light pod should always have an end cap installed.

1. See Figure 1. Place template (1) on the outside front of the saddlebag. The template oval holes fit over front latch fasteners (2). Secure the template with tape (4).

2. Drill a 3/32 in pilot hole (3).

3. Remove template. Use a step drill to increase the 3/32 in hole to 5/8 in.

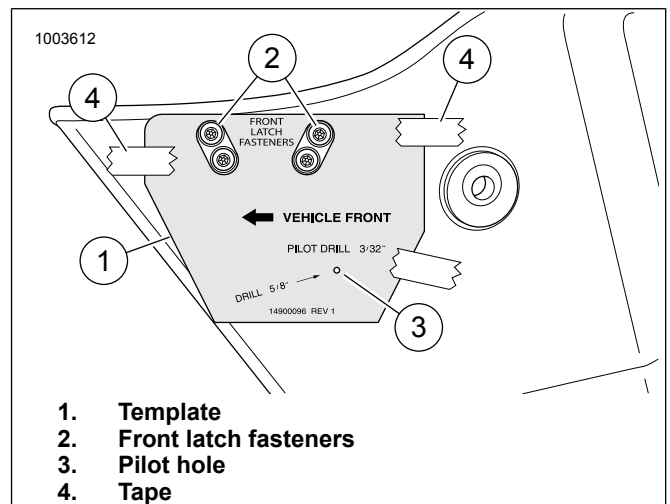
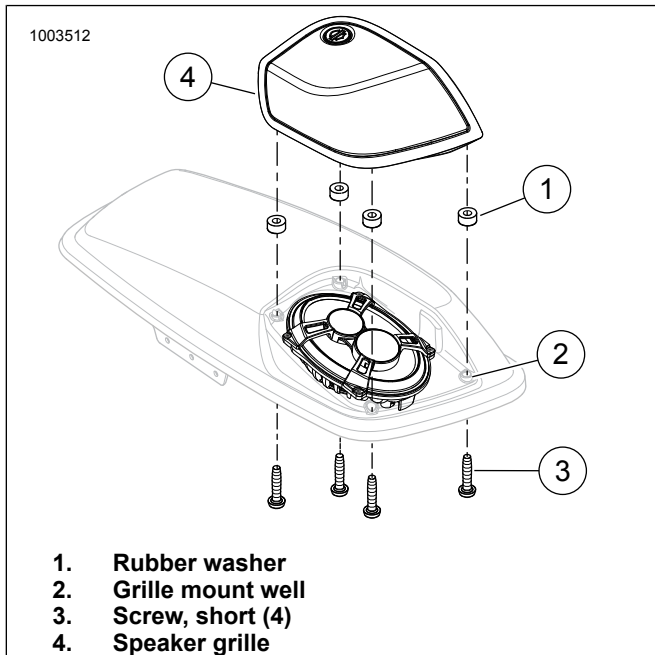


Figure 1. Template and Saddlebag

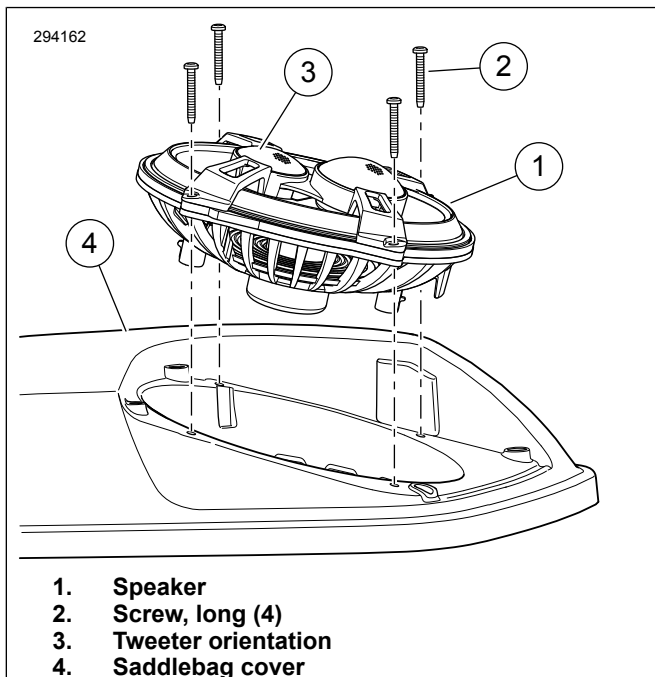
4. See Figure 2. Remove the speaker grille screws (3). Retain for later use.

5. Remove speaker grille (4). Retain for later use.
6. Note location of the rubber washers (1) for reuse.



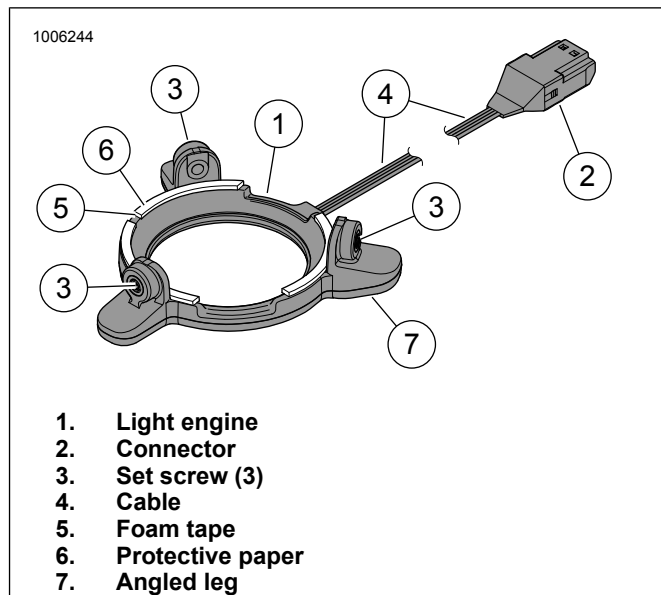
**Figure 2. Grille Installation and Removal**

7. See Figure 3. Remove screws (2). Screws are used to secure speaker to saddlebag lid.
8. Remove speaker (1).



**Figure 3. Speaker Orientation**

9. See Figure 4. Remove protective paper (6) from foam (5) tape on back of light engine (1).



**Figure 4. LED Light, Saddlebag Stage II Speaker**

10. **NOTE**  
Softly wipe clean the mounting surface area of the tweeter.  
The angled leg (6) of the light engine should face the front of the saddlebag. This will prevent interference with the speaker grille.

See Figure 5. Place light engine (1) on tweeter bridge (2). Lightly compress light engine in place.

11. **NOTE**  
*DO NOT* over tighten set screws. Over tightening may cause unit damage, tweeter bridge damage, or may render the unit inoperable.

Slowly tighten each set screw (3), alternating one turn at a time, using wrench provided, until each set screw just makes contact with tweeter bridge. Once all screws make contact with bridge, tighten each screw 1/4-1/2 turn clockwise. This should hold the light engine in place without over-flexing light engine housing.

12. Route the cable (4) along tweeter bridge leg. Using the tape (5) in kit, cut to length and secure cable to back of tweeter bridge. Locate area near light engine where wires are separated individually. See Figure 6. Verify this split wire (7) area is located on the speaker gasket. Place a small amount (pea size) of IIR rubber (8) strip over split wires at gasket area. Secure cable to back of speaker with cable strap.

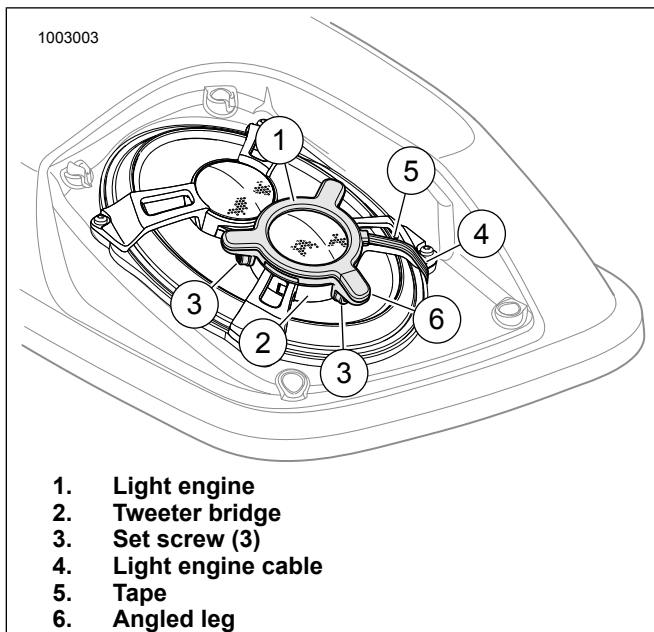


Figure 5. Light Engine Installation

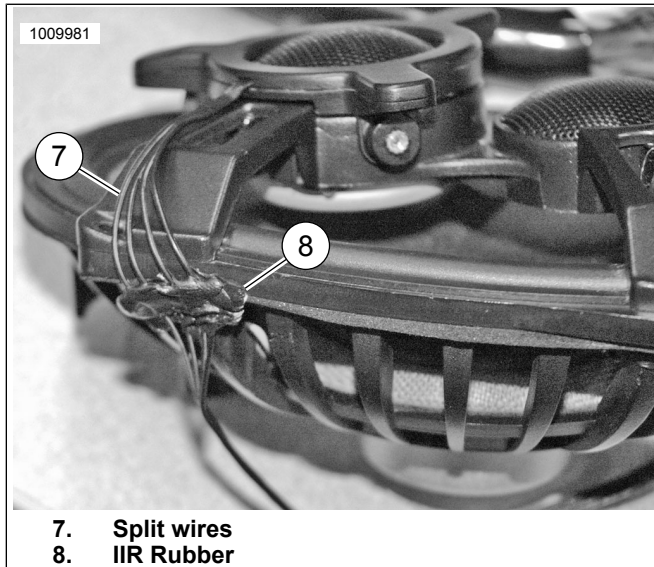


Figure 6.

13. See Figure 7. Position the smaller tweeter speaker (3) toward the rear of the saddlebag as shown.
14. Secure the speaker (1) with the four long screws (2). Alternately tighten screws to:  
Torque: 1.1–1.7 N·m (9.7–15.0 in-lbs) TORX head screw

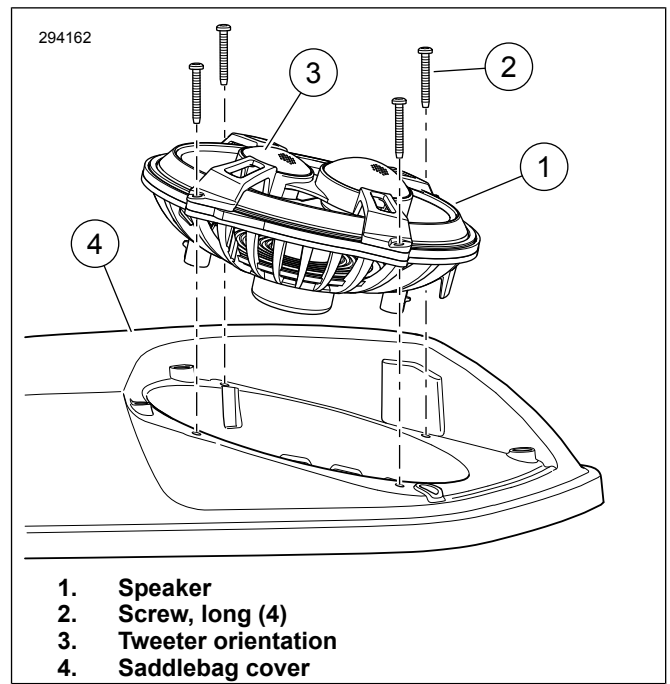


Figure 7. Speaker Orientation

15. See Figure 8. Slide the grommet about 4-1/2 in (11 cm) from the end of the harness outside the saddlebag. This will leave about 4-1/2 in (11 cm) outside the saddlebag once the grommet is installed.
16. Press the grommet into the hole by first starting one tapered edge of the grommet into the hole. Correctly installed the outside of the grommet should seat against the outside of the saddlebag. Press around the perimeter of the grommet to seat it in place.
17. Join connectors (1) from the light engine to the harness. Secure harness to speaker near the connection with cable strap (2)
18. 

*NOTE*

*Do not obstruct the saddlebag weight capacity warning label (5).*

Install two retainer clips (4) to the front panel of saddlebag as shown.

19. Route wires as shown. Open and close the saddlebag lid. Verify there are no obstructions. Secure wires to retainers using cable straps.

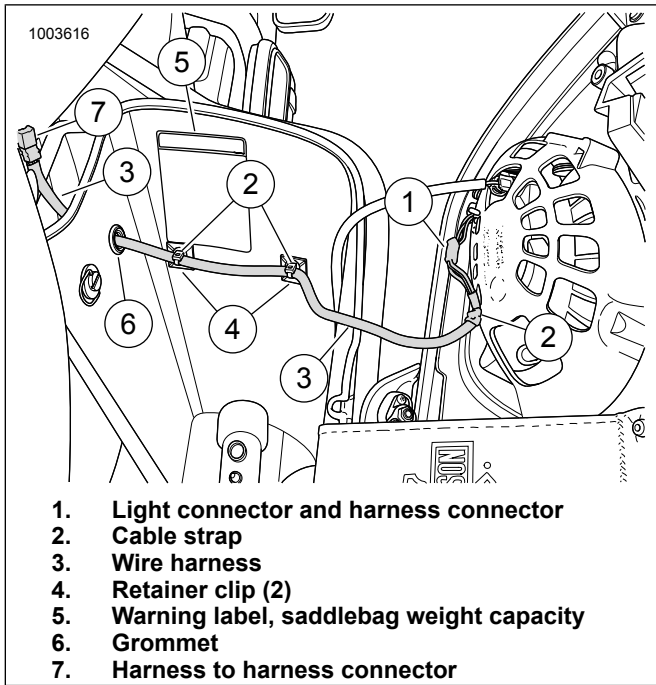


Figure 8. Saddlebag Wire Routing

20. Repeat procedure for opposite saddlebag.

### Install Grille

1. See Figure 9. Verify IIR Rubber (3) is between split wire (2) area and saddlebag cover (1). This should encapsulate the wires and seal speaker cone (4) to saddlebag cover to prevent water intrusion.

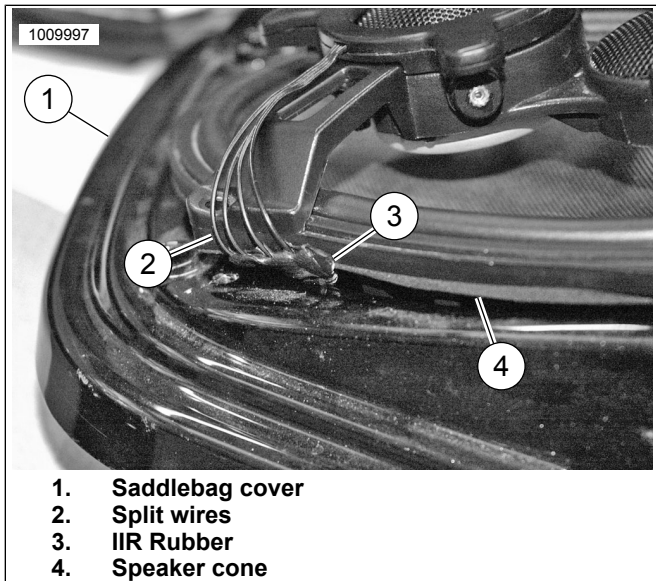


Figure 9.

2. See Figure 10. Place rubber washers (1) into the grille mount well (2).
3. Verify rubber washers (1) are in place. Place the speaker grille (4) into position over the speaker face. Secure with the four short screws (3). Alternately tighten the screws to:  
Torque: 1.1–1.7 N·m (9.7–15.0 in-lbs) TORX head screw

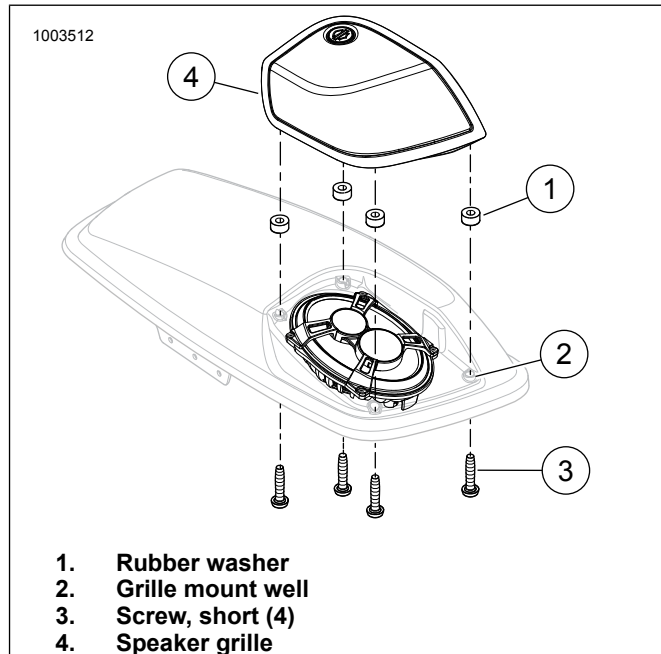


Figure 10. Grille Installation and Removal

4. **NOTE**  
See Isheet J06266, Spectra Glo Controller and Remote FOB, for installing multiple RGB products.

Bundle the harnesses from the controller and light engine. Secure the harnesses with cable straps.

5. Repeat previous steps to complete installation process.

## SERVICE PARTS

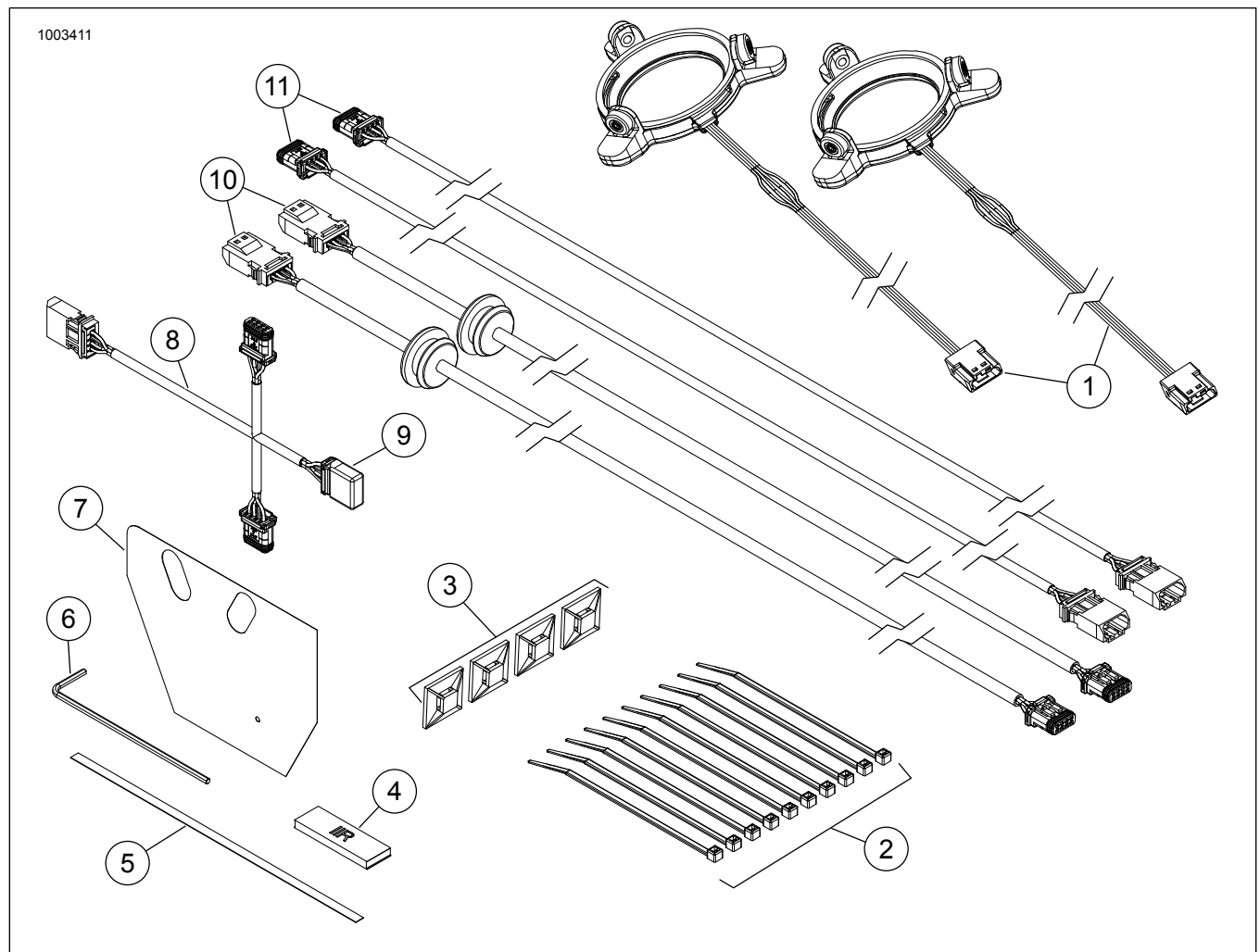


Figure 11. Service Parts, SaddleBag R/G/B/ LED Light Kits

## SERVICE PARTS

Table 1. Service Parts Table

Kit	Item	Description (Quantity)	Part Number
68000213	1	Light, saddlebag, stage II, LED, R/G/B, (2)	68000234
	2	Cable strap (10)	10126
	3	Wire retainer (4)	11769
	4	Rubber strip	Not Sold Separately
	5	Tape, two sided	11100181
	6	Wrench, hex, 2mm	14900095
	7	Template	14900096
	8	Wire harness, three-way	69201594
	9	End cap	69201597
	10	Wire harness, with grommet, 24 in (2)	69201595
	11	Wire harness, 24 in (2)	69201530

## SPECTRA GLO LOAD CALCULATION INFORMATION

The Spectra Glo system is limited to 3000 mA. Use the following table to determine the total current draw of the desired

configuration. Calculate the total current draw by multiplying the number of kit(s) (each line) by the provided current draw. Sum all totals. The value should be less than or equal to 3000 mA. The following example describes how to calculate total system load.

**Table 2. Calculator Example of Spectra Glo Kits**

Kit Name	Kit Part Number	Number of Kits	Current mA	Total
Rider Footboards	50500492	1	500	500
Passenger Footboards	50500495	1	350	350
Fairing Vent	68000194		275	
Speaker Lights (Stage I)	68000232		125	
Speaker Lights (Stage II Round)	68000231	1	125	125
Speaker Lights (Stage II Saddle Bag)	68000233		125	
Base Light Pods (6)	68000213	2	450	900
Expansion Light Pods (4)	68000214	1	300	300
* System Total must be 3000 mA or less.			System Total =	2175

**Table 3. Spectra Glo RGB Accessory Calculator**

Kit Name	Kit Part Number	Number of Kits	Current mA	Total
Rider Footboards	50500492		500	
Passenger Footboards	50500495		350	
Fairing Vent	68000194		275	
Speaker Lights (Stage I)	68000232		125	
Speaker Lights (Stage II Round)	68000231		125	
Speaker Lights (Stage II Saddle Bag)	68000233		125	
Base Light Pods (6)	68000213		450	
Expansion Light Pods (4)	68000214		300	
* System Total must be 3000 mA or less.			System Total =	

**Table 4. Spectra Glo RGB Accessories**

Accessories	Part Number
Remote	68000217
JAЕ Cap	69201597
Y Harness (3-way)	69201594
3-in Jumper Harness	69201525
8-in Jumper Harness	69201529
24-in Jumper Harness	69201530
24-in Jumper w/grommet	69201595
48-in Jumper Harness	69201625