



INSTRUCTIONS

J04062

2016-09-20



REAR NINE-SPOKE WHEELS

GENERAL

⚠ WARNING

Install only wheels and installation kits approved for your model motorcycle. Contact a Harley-Davidson dealer to verify fitment. Mismatching wheels and installation kits or installing wheels not approved for your model can cause loss of control, which could result in death or serious injury. (00610c)

Kit Number

40789-08, 41883-07, 41889-07, 41889-09, 40900111

Models

For model fitment information, see the P&A Retail Catalog or the Parts and Accessories section of www.harley-davidson.com (English only).

Kit Contents

These kits include the custom wheel only.

See Figure 1 and Table 2.

Additional Parts Required

Proper installation of these kits require the separate purchase of the following parts which are available at a Harley-Davidson dealer.

- Wheel Installation Kit (Refer to Table 3. through Table 9 to determine required installation kit.)
- Brake Disc Screws (Refer to Table 1. to determine proper hardware.)
- Rear Sprocket Screws (Refer to Table 1. to determine proper hardware.)
- Wheel Bearing Remover and Installer (94134-09)

The following Harley-Davidson Genuine Motor Accessories are recommended for proper maintenance and cleaning:

- Harley® Bright™ Chrome Cleaner (94683-99) (not for use with kit 40900111)
- Harley® Glaze™ Polish and Sealant (99701-84)
- Harley® Wheel and Spoke Brush (43078-99)
- Harley-Davidson® Wheel and Tire Cleaner (94658-98)
- Harley® Preserve Bare Aluminum Protectant (99845-07)

⚠ WARNING

Rider and passenger safety depend upon the correct installation of this kit. Use the appropriate service manual procedures. If the procedure is not within your capabilities or you do not have the correct tools, have a Harley-Davidson dealer perform the installation. Improper installation of this kit could result in death or serious injury. (00333b)

NOTE

This instruction sheet references service manual information. A service manual for this year/model motorcycle is required for this installation. One is available from a Harley-Davidson dealer.

Table 1. Rear Disc and Sprocket Hardware Fitment

| Hardware | Fitment |
|---|---|
| Rear Disc Screws (select stock or chrome hardware) | |
| 5 Stock disc screws (43567-92) | All models |
| Chrome screw kit (46647-05) includes 5 screws | All models |
| Rear Sprocket Screws (select stock or chrome hardware) | |
| 5 Sprocket screw, stock (3109) | 2007 and later Dyna and Softail, 2007 Touring |
| Chrome screw kit (94773-07) includes 5 screws and washers | 2007 and later Dyna and Softail |
| 5 Sprocket screw, stock (3737A) | 2000-2005 Dyna, 2000-2006 Softail, 2004-2006 Touring |
| Chrome screw kit (94773-00A) includes 5 screws and washers | 2000-2005 Dyna, 2000-2006 Softail |
| 5 Sprocket screw, stock (3814) | 2008 Touring |
| 5 Sprocket screw, stock (3873) | 2006 Dyna |
| 5 Sprocket screw, stock (3899) | 2000-2003 Touring, 2001 and later Sportster (except Japanese models) |
| 5 Sprocket screw, stock (40439-01) | 2002-2006 VRSC and 2007 VRSCR models |
| 5 Sprocket screw, stock (4552) | 2007 and later VRSC models (except VRSCR and VRSCSE models) |
| Rear Sprocket Washers | |
| 5 Sprocket washer, stock (6516HW) | 2006 and earlier Dyna, Softail and Touring and 2000 and later Sportster models (except Japanese models) |
| 5 Sprocket washer, stock (7039) | 2002 and later VRSC |

INSTALLATION

NOTE

Use plastic protectors on tire mounting tools and rim clamps when mounting a tire to a painted wheel.

When mounting tires, liberally use tire lube on the wheel and tire.



For tire removal, use plastic inserts between the rim and tire after breaking the bead to create a large enough gap for the rim clamps to get into.

1. Remove existing rear wheel assembly. Save axle, axle nut, brake disc and wheel spacers for kit installation. Refer to the service manual.

NOTE

Prior to removing or installing the wheel, the rear brake caliper must be removed. See the service manual.

The cotter pin or spring clip for the axle nut must be replaced. They are available for purchase from you dealer. See your dealer for the correct part number for your model motorcycle.

NOTE

For kits 41889-07 and 41889-09 install short valve stem (43157-83A) included in the installation kit.

For kits 41883-07 and 40789-08 install long valve stem (43206-01) included in the installation kit.

2. See Figure 1. Install valve stem assembly (H or I) on wheel. Refer to the service manual.

NOTICE

Do not re-use brake disc/rotor screws. Re-using these screws can result in torque loss and damage to brake components. (00319c)

NOTICE

Do not re-use sprocket mounting screws. Re-using sprocket mounting screws can result in torque loss and damage to the sprocket and/or belt assembly. (00480b)

3. Assemble wheel installation kit components, stock brake disc, and sprocket to wheel using the appropriate service parts table. Refer to the service manual.

NOTE

Install the primary bearing first using appropriate service manual and WHEEL BEARING REMOVER/INSTALLER.

The machined grooves in the hub face indicate the primary bearing side.

For Kit 41889-07: When installing wheel on 2008 Touring models or 2008 and later XL models, install bearing shim from installation kit under the primary bearing.

4. Install rear wheel (1), stock axle, and stock spacers to motorcycle. Refer to the service manual.

MAINTENANCE AND CLEANING

NOTE

This wheel assembly includes plugs that have been installed in the openings between the brake disc mounting holes on one side of the wheel. Missing or damaged plugs can be replaced using the Wheel Plug Kit 41966-07.

Chrome parts must be maintained regularly so they keep their original shine and luster.

1. Clean heavily-soiled wheel surfaces using Harley-Davidson Wheel and Tire Cleaner, applied with Harley Wheel and Spoke Brush.
2. Thoroughly clean chrome with a good quality chrome cleaner, such as Harley Bright Chrome Cleaner.
3. After cleaning and polishing, seal the finish with a good quality sealer, such as Harley Glaze Polish and Sealant.

SERVICE PARTS

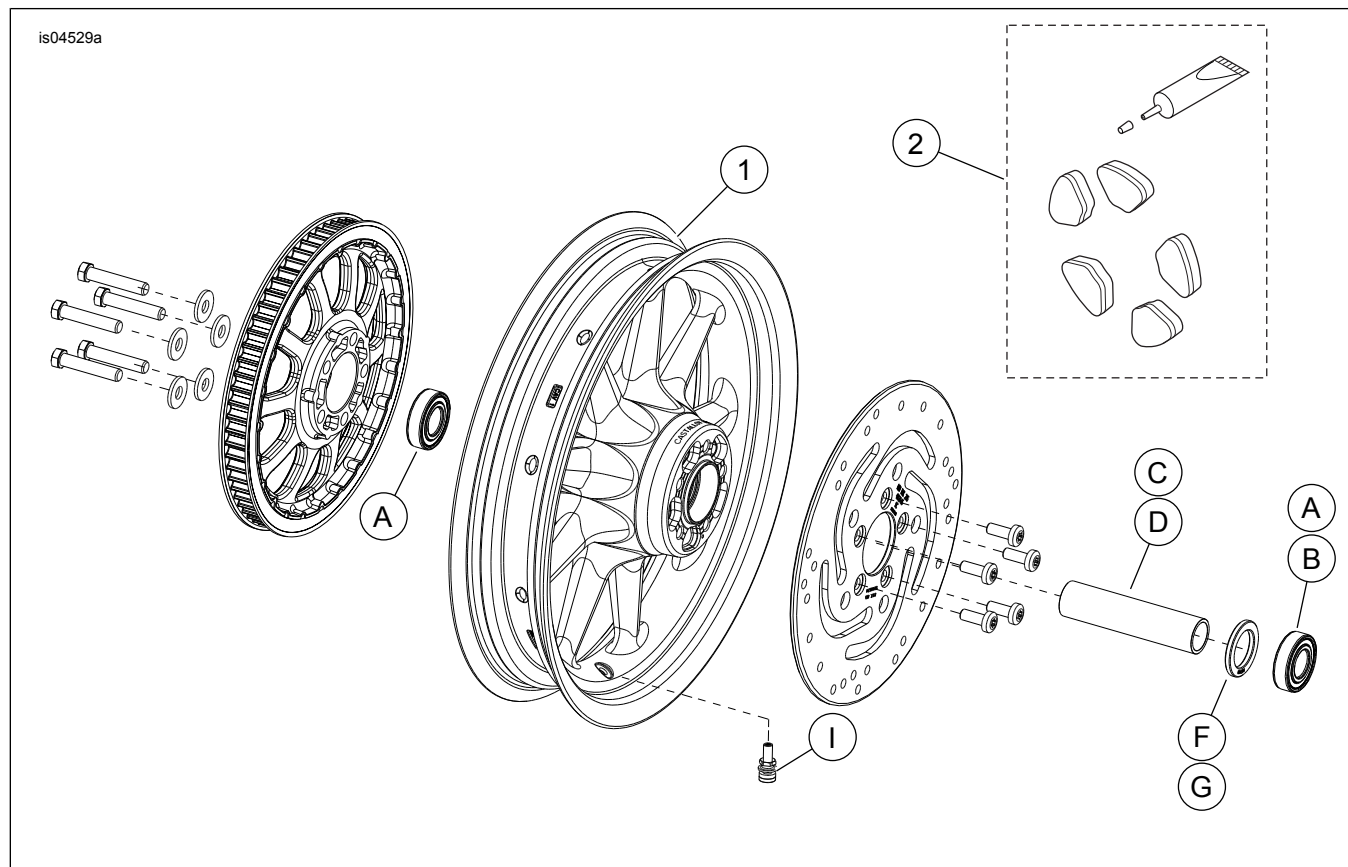


Figure 1. Service Parts: Rear Nine-Spoke Wheels (16 Inch Shown)

Table 2. Service Parts and Wheel Kit Contents

| Kit | Item | Description (Quantity) | Part Number |
|--|------|------------------------|---------------------|
| 40789-08, 41883-07, 41889-07, 41889-09, 40900111 | 1 | Wheel | Not Sold Separately |
| | 2 | Plug service kit | 44459-04 |

Table 3. REAR 3/4 Inch Bearing Wheel Installation Kit (43854-08A)

| REAR 3/4 Inch Bearing Wheel Installation Kit (43854-08A) | | Item (Quantity Used and Description) | | | | | |
|--|-------------|--------------------------------------|----------------------|---|-----------|---|---|
| Fitment | Wheel Size | A | C | D | E | H | I |
| 2007 FLST, FLSTN and FLSTC | 16 x 3.0 in | 2 | 1 | 0 | 0 | * | * |
| 2003-2006 FLST, FLSTN and FLSTC; 2003-2006 FLSTF (except FLSTFSE2); 2003-2005 FXST, FXSTB and FXSTS | 16 x 3.0 in | 2 | 1 | 0 | 0 | * | * |
| 2000-2005 Dyna; 2000-2002 Softail (except FXSTD) | 16 x 3.0 in | 2 | 1 | 0 | 0 | * | * |
| 2000-2004 XL; 2000-2001 FLT | 16 x 3.0 in | 2 | 1 | 0 | 0 | * | * |
| 2000-2007 FXSTD | 17 x 4.5 in | 2 | 1 | 0 | 0 | * | * |
| 2006 FXST, FXSTB, FXSTS and FLSTFSEi | 17 x 6.0 in | 2 | 0 | 1 | 0 | * | * |
| 2007 FLSTF, FXST, FXSTB and FXSTC | 17 x 6.0 in | 2 | 0 | 0 | 1 | * | * |
| Installation kits are designed to work with many different wheel styles and fitments. Contact a Harley-Davidson dealer to verify that the wheel and installation kits are both designed and approved for the motorcycle they are being installed on. | | A | Bearing, regular (2) | | 9267 | | |
| NOTES: * See NOTE above valve installation step in INSTALLATION to determine which valve stem to use for your particular kit. Discard other valve stem(s). | | C | Axle sleeve | | 43608-00 | | |
| | | D | Axle sleeve | | 43618-06 | | |
| | | E | Axle sleeve | | 43618-07 | | |
| | | H | Valve stem, short | | 43157-83A | | |
| | | I | Valve stem, long | | 43206-01 | | |

Table 4. REAR 1 Inch Bearing Wheel Installation Kit (43861-08A)

| REAR 1 Inch Bearing Wheel Installation Kit (43861-08A) | | Item (Quantity Used and Description) | | | | |
|--|-------------|--------------------------------------|---|---|---|---|
| Fitment | Wheel Size | A | C | D | H | I |
| 2002-2007 FLT; 2005-2007 XL | 16 x 3.0 in | 2 | 1 | 0 | * | * |
| 2006-2007 Dyna | 17 x 4.5 in | 2 | 1 | 0 | * | * |
| 2002-2006 VRSC; 2007 VRSCD and VRSCR | 18 x 5.5 in | 2 | 0 | 1 | * | * |

Table 4. REAR 1 Inch Bearing Wheel Installation Kit (43861-08A)

| REAR 1 Inch Bearing Wheel Installation Kit (43861-08A) | | Item (Quantity Used and Description) | | | | |
|---|-------------|--------------------------------------|-------------------|---|-----------|---|
| Fitment | Wheel Size | A | C | D | H | I |
| 2006 VRSCSEi; 2007 VRSCAW, VRSCX and VRSCDX | 18 x 8.0 in | 2 | 0 | 1 | * | * |
| Installation kits are designed to work with many different wheel styles and fitments. Contact a Harley-Davidson dealer to verify that the wheel and installation kits are both designed and approved for the motorcycle they are being installed on. NOTES: * See NOTE above valve installation step in INSTALLATION to determine which valve stem to use for your particular kit. Discard other valve stem(s). | | A | Bearing, regular | | 9247 | |
| | | C | Axle sleeve | | 43517-00 | |
| | | D | Axle sleeve | | 43704-01 | |
| | | H | Valve stem, short | | 43157-83A | |
| | | I | Valve stem, long | | 43206-01 | |

Table 5. REAR 25mm Bearing Wheel Installation Kit (41456-08C)

| REAR 25 MM Bearing Non-ABS Wheel Installation Kit (41456-08C) | | Item (Quantity Used and Description) | | | | | | | | |
|---|-----------------------|--------------------------------------|----------------------|---|-----------|----|---|---|---|--|
| Fitment | Wheel Size | A | C | D | E | F | H | I | J | |
| 2009 and later FLT non-ABS | 16 x 5.0 in | 2 | 1 | 0 | 0 | 0 | * | * | * | |
| 2009 and later FLT non-ABS | 18 x 5.0 in | 2 | 1 | 0 | 0 | 0 | * | * | * | |
| 2008 VRSCD non-ABS | 18 x 5.5 in | 2 | 0 | 0 | 1 | ** | * | * | 0 | |
| 2008 and later FXCW and FXCWC non-ABS | 18 x 8.0 in | 2 | 0 | 1 | 0 | 0 | * | * | 0 | |
| 2008 - 2017 VRSCAW, VRSCDX and VRSCF non-ABS | 18 x 8.0 in | 2 | 0 | 0 | 1 | ** | * | * | 0 | |
| Installation kits are designed to work with many different wheel styles and fitments. Contact a Harley-Davidson dealer to verify that the wheel and installation kits are both designed and approved for the motorcycle they are being installed on. NOTES: * See NOTE above valve installation step in INSTALLATION to determine which valve stem to use for your particular kit. Discard other valve stem(s). ** See INSTALLATION to determine if shim is required. *** Bearing shim installed under primary bearing. | | A | Bearing, regular (2) | | 9276B | | | | | |
| | | C | Axle sleeve | | 41349-07 | | | | | |
| | | D | Axle sleeve | | 41358-08 | | | | | |
| | | E | Axle sleeve | | 43704-08 | | | | | |
| | | F | Bearing shim*** | | 41447-08 | | | | | |
| | | H | Valve stem, short | | 43157-83A | | | | | |
| | | I | Valve stem, long | | 43206-01 | | | | | |
| J | Valve stem, pull thru | | 40999-87 | | | | | | | |

Table 6. REAR 25 MM Bearing ABS Wheel Installation Kit (43077-11A)

| REAR 25 MM Bearing ABS Wheel Installation Kit (43077-11A) | | Item (Quantity Used and Description) | | | | | | |
|--|------------------|--------------------------------------|-------------------|---|-----------|---|---|---|
| Fitment | Wheel Size | A | B | C | D | E | H | I |
| 2011 and later FLSTN, FLSTC, FLS and FXS with ABS | 16 x 3.0 in | 1 | 1 | 0 | 1 | 0 | * | * |
| 2011 and later FXST, FLSTF and FLSTFB with ABS | 17 x 6.0 in | 1 | 1 | 0 | 1 | 0 | * | * |
| 2011 and later FXST, FLSTF and FLSTFB with ABS | 18 x 6.0 in | 1 | 1 | 0 | 1 | 0 | * | * |
| 2011 and later FXCWC with ABS | 18 x 8.0 in | 1 | 1 | 1 | 0 | 0 | * | * |
| 2017 and later XG500 and XG750 with ABS | 15 x 3.5 in | 1 | 1 | 0 | 0 | 1 | * | * |
| Installation kits are designed to work with many different wheel styles and fitments. Contact a Harley-Davidson dealer to verify that the wheel and installation kits are both designed and approved for the motorcycle they are being installed on. NOTES: * See NOTE above valve installation step in INSTALLATION to determine which valve stem to use for your particular kit. Discard other valve stem(s). ** Primary bearing. Bearing must be installed with red side facing the wheel. | | A | Bearing, regular | | 9276 | | | |
| | | B | Bearing, ABS** | | 9252 | | | |
| | | C | Axle sleeve | | 41358-08 | | | |
| | | D | Axle sleeve | | 41696-08 | | | |
| | | E | Axle sleeve | | 43300098 | | | |
| | | H | Valve stem, short | | 43157-83A | | | |
| I | Valve stem, long | | 43206-01 | | | | | |

Table 7. REAR 25 MM Bearing ABS Wheel Installation Kit (41453-08C)

| REAR 25 MM Bearing ABS Wheel Installation Kit (41453-08C) | | Item (Quantity Used and Description) | | | | | | | | | |
|---|-------------|--------------------------------------|---|---|---|---|----|---|---|---|---|
| Fitment | Wheel Size | A | B | C | D | E | F | G | H | I | J |
| 2008 FLT with ABS | 16 x 3.0 in | 1 | 1 | 0 | 1 | 0 | 0 | 1 | * | * | 0 |
| 2009 and later FLT with ABS | 16 x 5.0 in | 1 | 1 | 1 | 0 | 0 | 0 | 0 | * | * | * |
| 2009 and later FLT with ABS | 18 x 5.0 in | 1 | 1 | 1 | 0 | 0 | 0 | 0 | * | * | * |
| 2008 VRSCDa with ABS | 18 x 5.5 in | 1 | 1 | 0 | 0 | 1 | ** | 0 | * | * | 0 |
| 2008 - 2017 VRSCAWa, VRSCDXa, VRSCXa and VRSCFa with ABS | 18 x 8.0 in | 1 | 1 | 0 | 0 | 1 | ** | 0 | * | * | 0 |

Table 7. REAR 25 MM Bearing ABS Wheel Installation Kit (41453-08C)

| REAR 25 MM Bearing ABS Wheel Installation Kit (41453-08C) | | Item (Quantity Used and Description) | | | | | | | | | |
|---|------------|--------------------------------------|-----------------------|---|---|---|---|---|---|-----------|---|
| Fitment | Wheel Size | A | B | C | D | E | F | G | H | I | J |
| Installation kits are designed to work with many different wheel styles and fitments. Contact a Harley-Davidson dealer to verify that the wheel and installation kits are both designed and approved for the motorcycle they are being installed on. NOTES: * See NOTE above valve installation step in INSTALLATION to determine which valve stem to use for your particular kit. Discard other valve stem(s). ** Primary bearing. Bearing must be installed with red side facing the wheel. *** Bearing shim installed under primary bearing. | | A | Bearing, regular | | | | | | | 9276B | |
| | | B | Bearing, ABS** | | | | | | | 9252A | |
| | | C | Axle sleeve | | | | | | | 41349-07 | |
| | | D | Axle sleeve | | | | | | | 41900-08 | |
| | | E | Axle sleeve | | | | | | | 43704-08 | |
| | | F | Bearing shim*** | | | | | | | 41447-08 | |
| | | G | Bearing shim*** | | | | | | | 43904-08 | |
| | | H | Valve stem, short | | | | | | | 43157-83A | |
| | | I | Valve stem, long | | | | | | | 43206-01 | |
| | | J | Valve stem, pull thru | | | | | | | 40999-87 | |

Table 8. REAR 25 MM Bearing ABS Wheel Installation Kit (43077-11A)

| REAR 25 MM Bearing ABS Wheel Installation Kit (43077-11A) | | Item (Quantity Used and Description) | | | | | | |
|--|-------------|--------------------------------------|-------------------|---|---|----------|-----------|---|
| Fitment | Wheel Size | A | B | C | D | E | H | I |
| 2011 and later FLSTN, FLSTC, FLS and FXS with ABS | 16 x 3.0 in | 1 | 1 | 0 | 1 | 0 | * | * |
| 2011 and later FXST, FLSTF and FLSTFB with ABS | 17 x 6.0 in | 1 | 1 | 0 | 1 | 0 | * | * |
| 2011 and later FXST, FLSTF and FLSTFB with ABS | 18 x 6.0 in | 1 | 1 | 0 | 1 | 0 | * | * |
| 2011 and later FXCWC with ABS | 18 x 8.0 in | 1 | 1 | 1 | 0 | 0 | * | * |
| 2017 and later XG500 and XG750 with ABS | 15 x 3.5 in | 1 | 1 | 0 | 0 | 1 | * | * |
| Installation kits are designed to work with many different wheel styles and fitments. Contact a Harley-Davidson dealer to verify that the wheel and installation kits are both designed and approved for the motorcycle they are being installed on. NOTES: * See NOTE above valve installation step in INSTALLATION to determine which valve stem to use for your particular kit. Discard other valve stem(s). ** Primary bearing. Bearing must be installed with red side facing the wheel. | | A | Bearing, regular | | | | 9276 | |
| | | B | Bearing, ABS** | | | | 9252 | |
| | | C | Axle sleeve | | | | 41358-08 | |
| | | D | Axle sleeve | | | | 41696-08 | |
| | | E | Axle sleeve | | | | 43300098 | |
| | | H | Valve stem, short | | | | 43157-83A | |
| | I | Valve stem, long | | | | 43206-01 | | |

Table 9. REAR 25 MM Bearing ABS Wheel Installation Kit (42400003)

| REAR 25 MM Bearing ABS Wheel Installation Kit (42400003) | | Item (Quantity Used and Description) | | | | | | | |
|--|-------------|--------------------------------------|-----------------------|---|---|---|-----------|---|--|
| Fitment | Wheel Size | A | B | C | F | H | I | J | |
| 2008 and later FXDF | 16 x 5.0 in | 1 | 1 | 1 | 0 | * | * | * | |
| 2008 and later Dyna (except FXDF and FLD) | 17 x 4.5 in | 1 | 1 | 1 | 1 | * | * | * | |
| 2012 FLD | 17 x 4.5 in | 1 | 1 | 1 | 0 | * | * | * | |
| 2008 and later FXDF | 18 x 6.0 in | 1 | 1 | 1 | 0 | * | * | * | |
| Installation kits are designed to work with many different wheel styles and fitments. Contact a Harley-Davidson dealer to verify that the wheel and installation kits are both designed and approved for the motorcycle they are being installed on. NOTES: * See NOTE above valve installation step in INSTALLATION to determine which valve stem to use for your particular kit. Discard other valve stem(s). ** Primary bearing. Bearing must be installed with red side facing the wheel. | | A | Bearing, regular | | | | 9276 | | |
| | | B | Bearing, ABS** | | | | 9252 | | |
| | | C | Axle sleeve | | | | 43905-08 | | |
| | | F | Bearing shim | | | | 43904-08 | | |
| | | H | Valve stem, short | | | | 43157-83A | | |
| | | J | Valve stem, pull-thru | | | | 40999-87 | | |