



# INSTRUCTIONS

J05132

2016-09-21



## REAR ROCKER WHEEL

### GENERAL

#### ⚠ WARNING

Install only wheels and installation kits approved for your model motorcycle. Contact a Harley-Davidson dealer to verify fitment. Mismatching wheels and installation kits or installing wheels not approved for your model can cause loss of control, which could result in death or serious injury. (00610c)

### Kit Number

40900001

### Models

For model fitment information, see the P&A Retail Catalog or the Parts and Accessories section of [www.harley-davidson.com](http://www.harley-davidson.com) (English only).

### Kit Contents

These kits include the custom wheel only. See Figure 1 and Table 2.

### Additional Parts Required

Proper installation of these kits requires the separate purchase of the following parts which are available at a Harley-Davidson dealer.

- Wheel Installation Kit ( Refer to Table 3. and Table 4 to determine required installation kit.)
- Brake Disc Screws ( Refer to Table 1. to determine proper hardware.)
- Rear Sprocket Screws ( Refer to Table 1. to determine proper hardware.)
- Wheel Bearing Remover and Installer (94134-09)

The following Harley-Davidson Genuine Motor Accessories are recommended for proper maintenance and cleaning:

- Harley® Bright™ Chrome Cleaner (94683-99)
- Harley® Glaze™ Polish and Sealant (99701-84)
- Harley® Wheel and Spoke Brush (43078-99)
- Harley-Davidson® Wheel and Tire Cleaner (94658-98)
- Harley® Preserve Bare Aluminum Protectant (99845-07)

#### ⚠ WARNING

Rider and passenger safety depend upon the correct installation of this kit. Use the appropriate service manual procedures. If the procedure is not within your capabilities or you do not have the correct tools, have a Harley-Davidson dealer perform the installation. Improper installation of this kit could result in death or serious injury. (00333b)

#### NOTE

*This instruction sheet references service manual information. A service manual for this year/model motorcycle is required for this installation. One is available from a Harley-Davidson dealer.*

Table 1. Rear Disc and Sprocket Hardware Fitment

Hardware	Fitment
<b>Rear Disc Screws</b> (select stock or chrome hardware)	
5 Stock disc screws (43567-92)	All models
Chrome screw kit (46647-05) includes 5 screws	All models
<b>Rear Sprocket Screws</b> (select stock or chrome hardware)	
5 Sprocket screw, stock (3109)	2007 and later Dyna and Softail, 2007 Touring
Chrome screw kit (94773-07) includes 5 screws and washers	2007 and later Dyna and Softail
5 Sprocket screw, stock (3737A)	2000-2005 Dyna, 2000-2006 Softail, 2004-2006 Touring
Chrome screw kit (94773-00A) includes 5 screws and washers	2000-2005 Dyna, 2000-2006 Softail
5 Sprocket screw, stock (3814)	2008 Touring
5 Sprocket screw, stock (3873)	2006 Dyna
5 Sprocket screw, stock (3899)	2000-2003 Touring, 2001 and later Sportster (except Japanese models)
5 Sprocket screw, stock (40439-01)	2002-2006 VRSC and 2007 VRSCR models
5 Sprocket screw, stock (4552)	2007 and later VRSC models (except VRSCR and VRSCSE models)
<b>Rear Sprocket Washers</b>	
5 Sprocket washer, stock (6516HW)	2006 and earlier Dyna, Softail and Touring and 2000 and later Sportster models (except Japanese models)
5 Sprocket washer, stock (7039)	2002 and later VRSC

### INSTALLATION

1. Remove existing rear wheel assembly. Save axle, axle nut, brake disc and wheel spacers for kit installation. Refer to the service manual.

#### NOTE

*Prior to removing or installing the wheel, the rear brake caliper must be removed.*



The cotter pin or spring clip for the axle nut must be replaced. They are available for purchase from your dealer. See your dealer for the correct part number for your model motorcycle.

**NOTE**

Install short valve stem (43157-83A) included in the installation kit. Discard all other valve stems.

**NOTICE**

**Do not re-use brake disc/rotor screws. Re-using these screws can result in torque loss and damage to brake components. (00319c)**

**NOTICE**

**Do not re-use sprocket mounting screws. Re-using sprocket mounting screws can result in torque loss and damage to the sprocket and/or belt assembly. (00480b)**

2. See Figure 1. Install valve stem assembly (H) on wheel. Refer to the service manual.

3. Assemble wheel installation kit components, stock brake disc, and sprocket to wheel using the appropriate service parts table. Refer to the service manual.

**NOTE**

Install the primary bearing first using appropriate service manual and WHEEL BEARING REMOVER/INSTALLER.

The regulatory markings on the right side of the wheel indicates the primary bearing side.

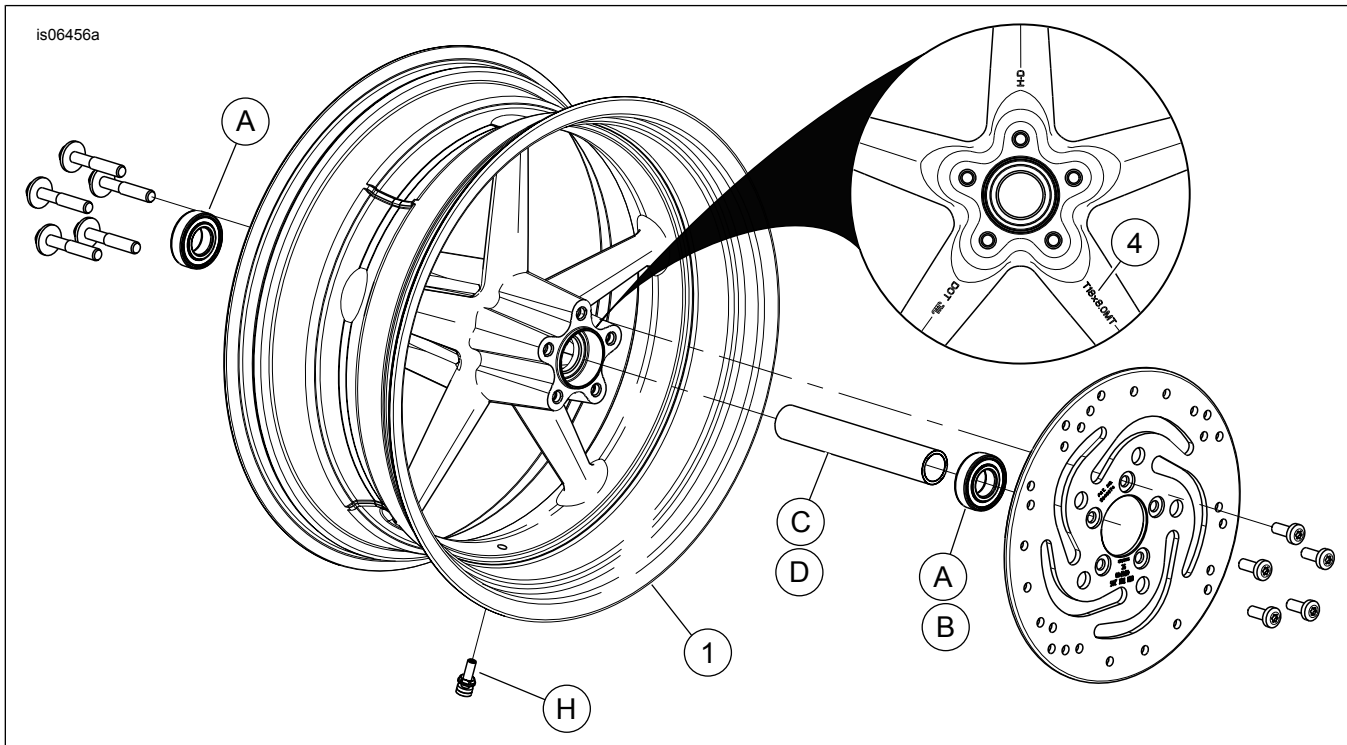
4. Install rear wheel (1), stock axle and stock spacers to motorcycle. Refer to the service manual.

**MAINTENANCE AND CLEANING**

Chrome parts must be maintained regularly to keep their original shine and luster.

1. Clean heavily-soiled wheel surfaces using Harley-Davidson Wheel and Tire Cleaner, applied with Harley Wheel and Spoke Brush.
2. Thoroughly clean chrome with a good quality chrome cleaner, such as Harley Bright Chrome Cleaner.
3. After cleaning and polishing, seal the finish with a good quality sealer, such as Harley Glaze Polish and Sealant.

**SERVICE PARTS**



**Figure 1. Service Parts: Rear Rocker Wheel**

**Table 2. Service Parts and Wheel Kit Contents**

Kit	Item	Description (Quantity)	Part Number
40900001	1	Wheel	Not Sold Separately
		Visual indicator mentioned in text:	
	4	DOT markings	

**Table 3. REAR 25mm Bearing Wheel Installation Kit (41456-08C)**

REAR 25 MM Bearing Non-ABS Wheel Installation Kit (41456-08C)		Item (Quantity Used and Description)							
Fitment	Wheel Size	A	C	D	E	F	H	I	J
2009 and later FLT non-ABS	16 x 5.0 in	2	1	0	0	0	*	*	*
2009 and later FLT non-ABS	18 x 5.0 in	2	1	0	0	0	*	*	*
2008 VRSCD non-ABS	18 x 5.5 in	2	0	0	1	**	*	*	0
2008 and later FXCW and FXCWC non-ABS	18 x 8.0 in	2	0	1	0	0	*	*	0
2008 - 2017 VRSCAW, VRSCDX and VRSCF non-ABS	18 x 8.0 in	2	0	0	1	**	*	*	0
Installation kits are designed to work with many different wheel styles and fitments. Contact a Harley-Davidson dealer to verify that the wheel and installation kits are both designed and approved for the motorcycle they are being installed on. NOTES: * See NOTE above valve installation step in INSTALLATION to determine which valve stem to use for your particular kit. Discard other valve stem(s). ** See INSTALLATION to determine if shim is required. *** Bearing shim installed under primary bearing.	A	Bearing, regular (2)						9276B	
	C	Axle sleeve						41349-07	
	D	Axle sleeve						41358-08	
	E	Axle sleeve						43704-08	
	F	Bearing shim***						41447-08	
	H	Valve stem, short						43157-83A	
	I	Valve stem, long						43206-01	
J	Valve stem, pull thru						40999-87		

**Table 4. REAR 25 MM Bearing ABS Wheel Installation Kit (43077-11A)**

REAR 25 MM Bearing ABS Wheel Installation Kit (43077-11A)		Item (Quantity Used and Description)						
Fitment	Wheel Size	A	B	C	D	E	H	I
2011 and later FLSTN, FLSTC, FLS and FXS with ABS	16 x 3.0 in	1	1	0	1	0	*	*
2011 and later FXST, FLSTF and FLSTFB with ABS	17 x 6.0 in	1	1	0	1	0	*	*
2011 and later FXST, FLSTF and FLSTFB with ABS	18 x 6.0 in	1	1	0	1	0	*	*
2011 and later FXCWC with ABS	18 x 8.0 in	1	1	1	0	0	*	*
2017 and later XG500 and XG750 with ABS	15 x 3.5 in	1	1	0	0	1	*	*
Installation kits are designed to work with many different wheel styles and fitments. Contact a Harley-Davidson dealer to verify that the wheel and installation kits are both designed and approved for the motorcycle they are being installed on. NOTES: * See NOTE above valve installation step in INSTALLATION to determine which valve stem to use for your particular kit. Discard other valve stem(s). ** Primary bearing. Bearing must be installed with red side facing the wheel.	A	Bearing, regular						9276
	B	Bearing, ABS**						9252
	C	Axle sleeve						41358-08
	D	Axle sleeve						41696-08
	E	Axle sleeve						43300098
	H	Valve stem, short						43157-83A
I	Valve stem, long						43206-01	