



# INSTRUCTIONS

J06331

2016-10-06



## SPECTRA GLO LED R/G/B STAGE I SPEAKER LIGHT KIT

### Kit Numbers

68000232

### Models

For model fitment information, see the P&A retail catalog or the Parts and Accessories section of [www.harley-davidson.com](http://www.harley-davidson.com) (English only).

### Installation Requirements

Separate purchase of Harley-Davidson LED Controller Kit (Part No. 68000218 ), if not already installed.

Separate purchase of Three-way Wire Harness (Part No. 69201594 ) may be needed if installing multiple sets of RGB lighting kits.

#### ⚠ WARNING

**Rider and passenger safety depend upon the correct installation of this kit. Use the appropriate service manual procedures. If the procedure is not within your capabilities or you do not have the correct tools, have a Harley-Davidson dealer perform the installation. Improper installation of this kit could result in death or serious injury. (00333b)**

This instruction sheet references service manual information. A service manual for this year/model motorcycle is required for this installation. One is available from a Harley-Davidson dealer.

Spectra Glo light pods are designed and intended for display use only. Some local regulations prohibit using colored or indirect lighting during vehicle operation on public streets. Check local regulations before installation.

### Electrical Overload

#### NOTICE

**It is possible to overload the vehicle's charging system by adding too many electrical accessories. If the combined electrical accessories operating at any one time consume more electrical current than the vehicle's charging system can produce, the electrical consumption can discharge the battery and cause damage to the vehicle's electrical system. (00211d)**

#### ⚠ WARNING

**When installing any electrical accessory, be certain not to exceed the maximum amperage rating of the fuse or circuit breaker protecting the affected circuit being modified. Exceeding the maximum amperage can lead to electrical failures, which could result in death or serious injury. (00310a)**

### Kit Contents

See Figure 31. and Table 1.

### INSTALLATION

#### Motorcycles with a main fuse

1. See service manual. Remove main fuse.

#### Upper Fairing FLH Model

1. If Controller Kit (Part No. 68000218) is not installed, install now following instructions in that kit.

2. **NOTE**

*Use caution when working with tweeters and grilles. These components are delicate and can be damaged if mishandled.*

See service manual. Remove upper fairing speakers enclosures. Speaker can remain in the enclosure for light engine installation.

3. See Figure 1. Remove protective paper (6) from foam tape (5) on back of light engine (1).

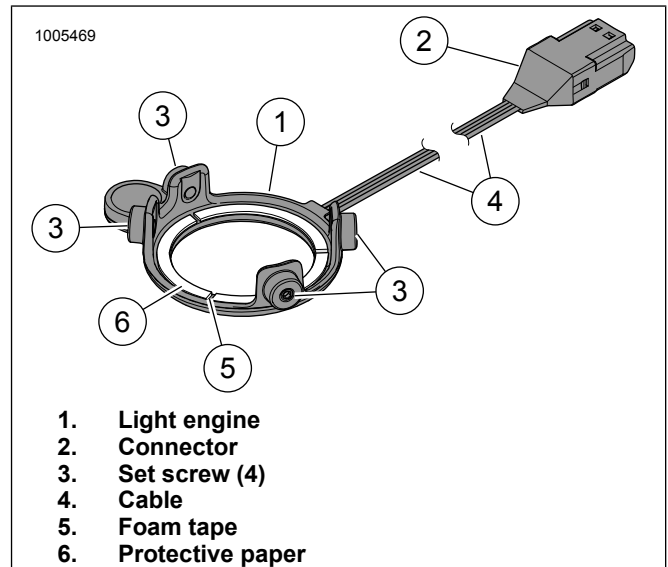


Figure 1. LED Light, Round Stage I Speaker

4. **NOTE**

*Wipe clean the mounting surface area of the tweeter.*

See Figure 2. Place light engine (1) on tweeter (2) as shown. Lightly compress light engine in place.

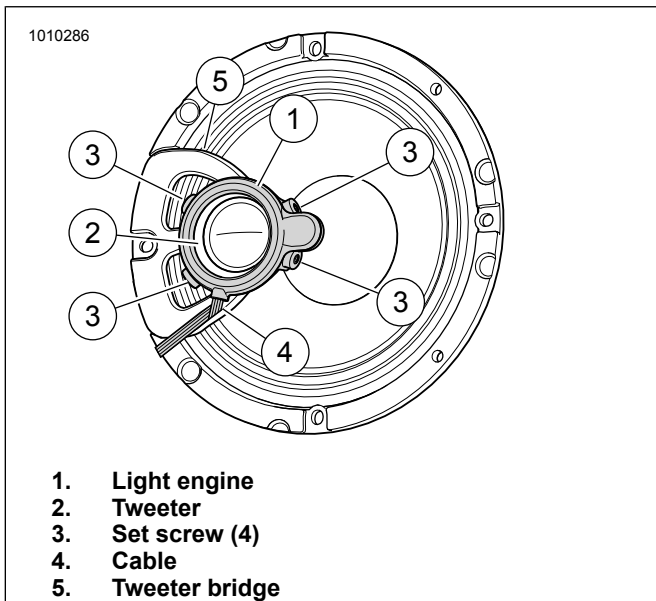


5. **NOTE**

*DO NOT over tighten set screws. Over tightening may cause unit damage, tweeter bridge damage, or may render the unit inoperable.*

Use the wrench provided. Slowly tighten each set screw (3), alternating one turn at a time, until each set screw just makes contact with tweeter bridge (5). Once all screws make contact with bridge, tighten each screw 1/4-1/2 turn clockwise. This should hold the light engine in place without over-flexing light engine housing.

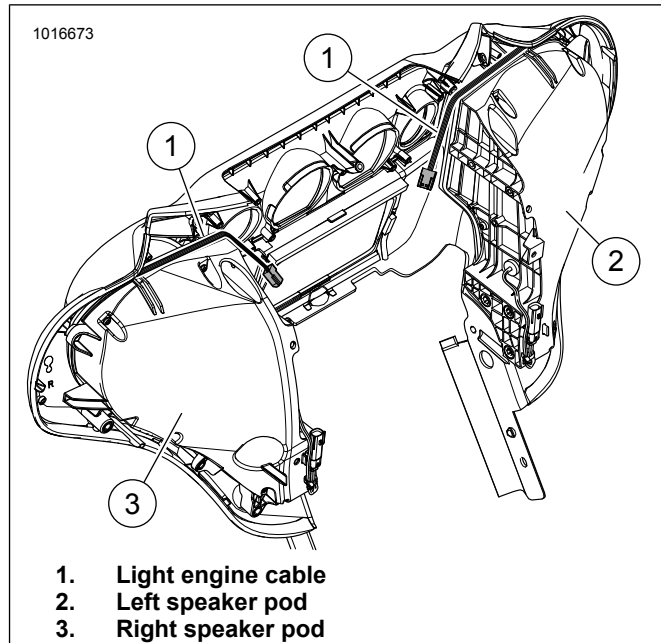
6. Route cable (4) along tweeter bridge (5) leg. Using the tape in kit, cut to length and secure cable to tweeter bridge.



**Figure 2. FLH Speaker, Tweeter, Tweeter Bridge and LED Light**

7. See Figure 3. See service manual. Connect speaker wires to speaker, install speaker enclosure and route light engine cable (1) as shown.

- a. See Figure 31. and Table 1. Join connectors from the light engine to RGB three-way wire harness (8).
- b. Stabilize the connectors, secure light engine cable and RGB harness with cable straps as needed.
- c. Route three-way wire harness toward steering head.



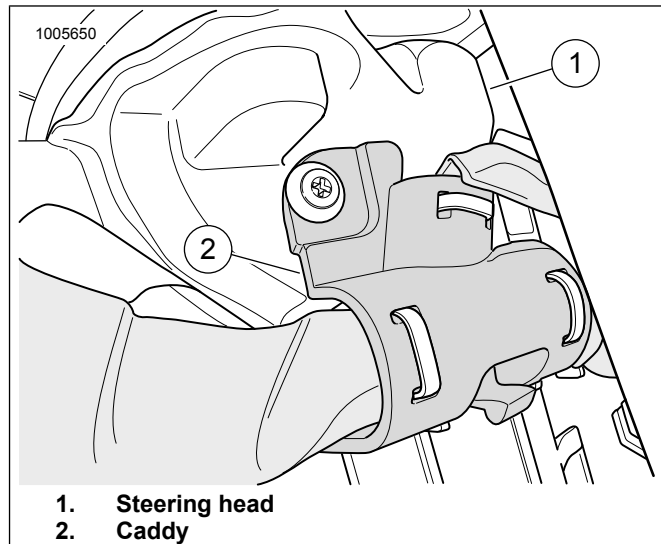
**Figure 3. FLH Fairing**

8. **NOTE**

*See Instruction Sheet J06266, Spectra Glo Controller and Remote FOB, for installing multiple RGB products.*

See Figure 31. and Table 1. Connect and route 48-in. harness (12) from LED R/G/B controller through the wire trough and up the back bone.

9. See Figure 4. Route the end of 48-in. harness to steering head (1). Use caddy (2) to secure harness.



**Figure 4. Steering Head**

10. See Figure 31. and Table 1. Route light engine cable from speaker to steering head and connect to the 48-in. harness (12) at steering head using 3-way harness (8).

11. Bundle the harnesses from the controller and speakers. Secure the harnesses with cable straps.

12. Repeat steps for opposite speaker and RGB light.

13. Install outer fairing. See the service manual.

## Upper Fairing FLTR Model

1. If Controller Kit (Part No. 68000218) is not installed, install now following instructions in that kit.

2. **NOTE**

*Use caution when working with tweeters and grilles. These components are delicate and can be damaged if mishandled.*

See service manual. Remove outer fairing and speaker grilles. Speaker can remain in the enclosure for light engine installation.

3. See Figure 5. Remove protective paper (6) from foam tape (5) on back of light engine (1).

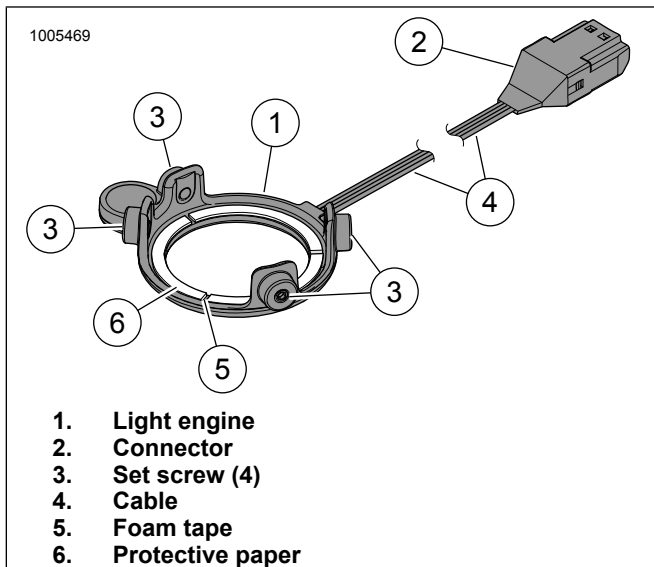


Figure 5. LED Light, Round Stage I Speaker

4. **NOTE**

- Wipe clean the mounting surface area of the tweeter.
- The left light engine should be positioned on the tweeter so that the cable exits at the 1 o'clock position and the right light engine cable exits at the 11 o'clock position.

See Figure 6. Place light engine (1) on tweeter (2) as shown. Lightly compress light engine in place.

5. **NOTE**

*DO NOT over tighten set screws. Over tightening may cause unit damage, tweeter bridge damage, or may render the unit inoperable.*

Use the wrench provided. Slowly tighten each set screw (3), alternating one turn at a time, until each set screw just makes contact with tweeter bridge (5). Once all screws make contact with bridge, tighten each screw 1/4-1/2 turn clockwise. This should hold the light engine in place without over-flexing light engine housing.

6. **NOTE**

*The left light engine cable exits at the 12 o'clock position and the right light engine cable exits at the 11 o'clock position.*

Route cable (4) toward the top of the speaker and exit cable toward the front of the vehicle (behind speaker pod). Secure to bridge leg with two-sided tape from kit. Route cable and harnesses toward steering head.

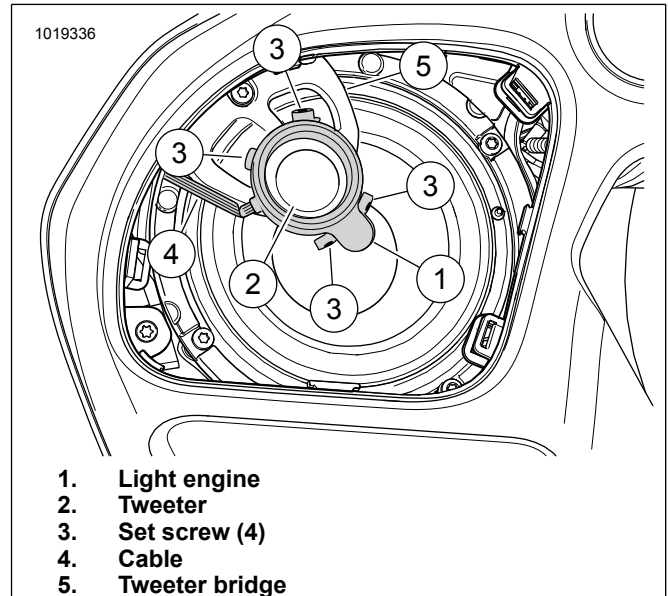


Figure 6. FLTR Left Fairing Speaker

7. See Figure 7. Route light engine cable (1) as shown.

- a. See Figure 31. and Table 1. Join connectors from the light engine to RGB three-way wire harness (8).
- b. Stabilize the connectors, secure light engine cable and RGB harness with cable straps as needed.
- c. Route three-way wire harness toward steering head.

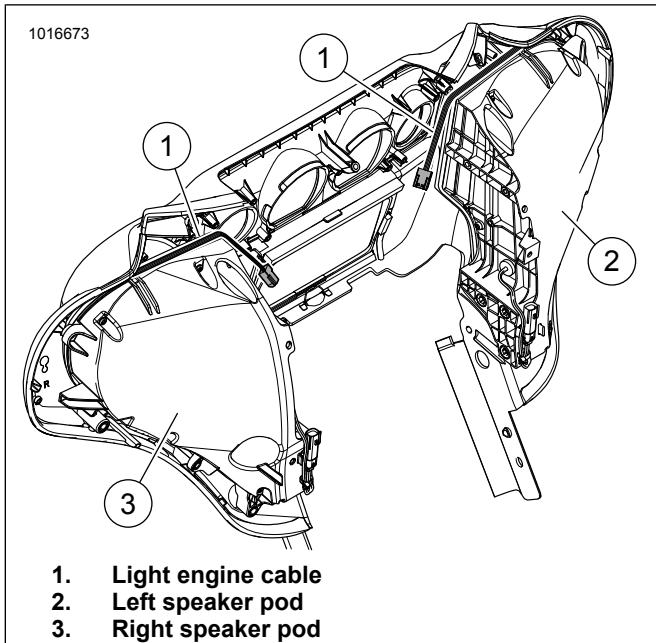


Figure 7. FLH Fairing Shown, FLTR Cable Routing is Similar

8. **NOTE**  
See Instruction Sheet J06266, Spectra Glo Controller and Remote FOB, for installing multiple RGB products.

See Figure 31. and Table 1. Connect and route 48-in. harness (12) from LED R/G/B controller through the wire trough and up the back bone.

9. See Figure 8. Route end of 48-in. harness to steering head (1). Use caddy (2) to secure harness.

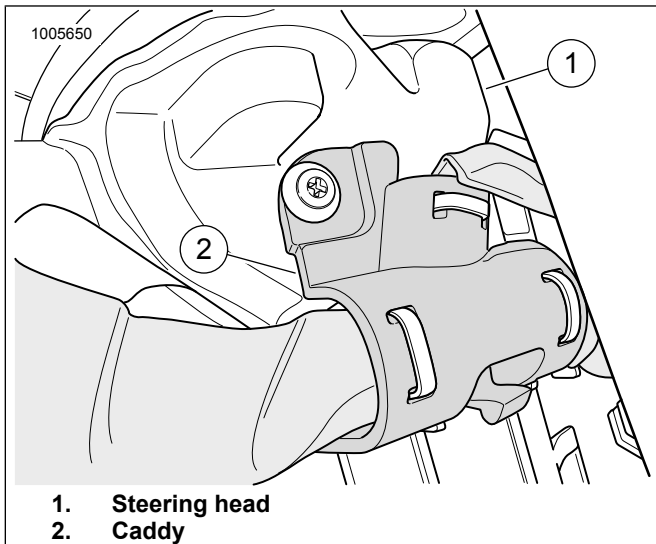


Figure 8. Steering Head

10. See Figure 31. and Table 1. Route light engine harness from speaker to steering head and connect to the 48-in. harness (12) at steering head using 3-way harness (8).

11. Bundle the harnesses from the controller and speakers. Secure the harnesses with cable straps.

12. Repeat steps for opposite speaker.

13. Install outer fairing and speaker grille. See the service manual.

## Lower Fairing

1. If Controller Kit (Part No. 68000218) is not installed, install now following instructions in that kit.

2. **NOTE**  
Use caution when working with tweeters and grilles. These components are delicate and can be damaged if mishandled.

See service manual. Remove lower fairing speakers. Retain hardware for later use.

3. See Figure 9. Remove protective paper (6) from foam tape (5) on back of light engine (1).

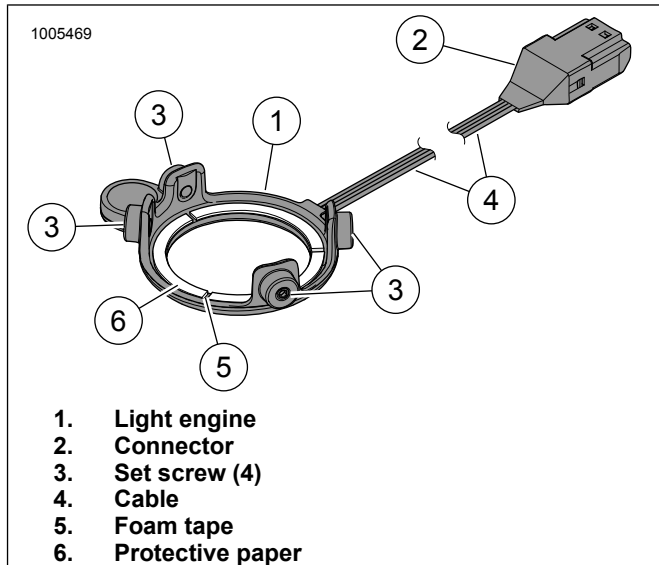


Figure 9. LED Light, Round Stage I Speaker

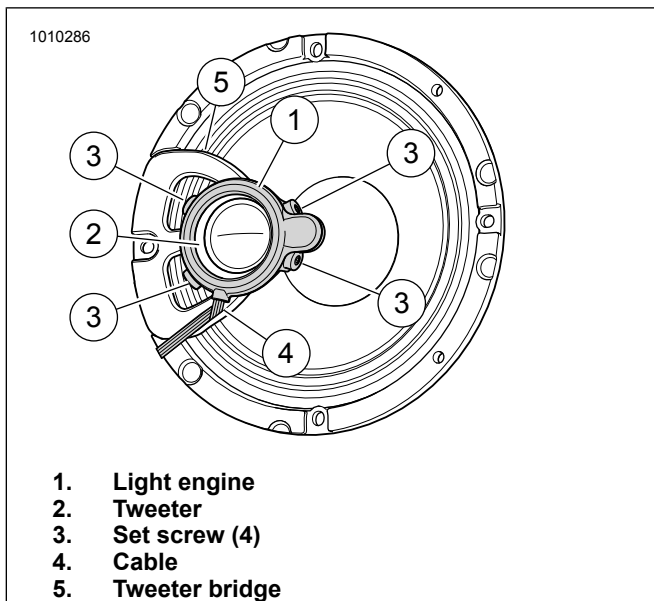
4. **NOTE**  
Wipe clean the mounting surface area of the tweeter.

See Figure 10. Place light engine (1) on tweeter (2) as shown. Lightly compress light engine in place.

5. **NOTE**  
DO NOT over tighten set screws. Over tightening may cause unit damage, tweeter bridge damage, or may render the unit inoperable.

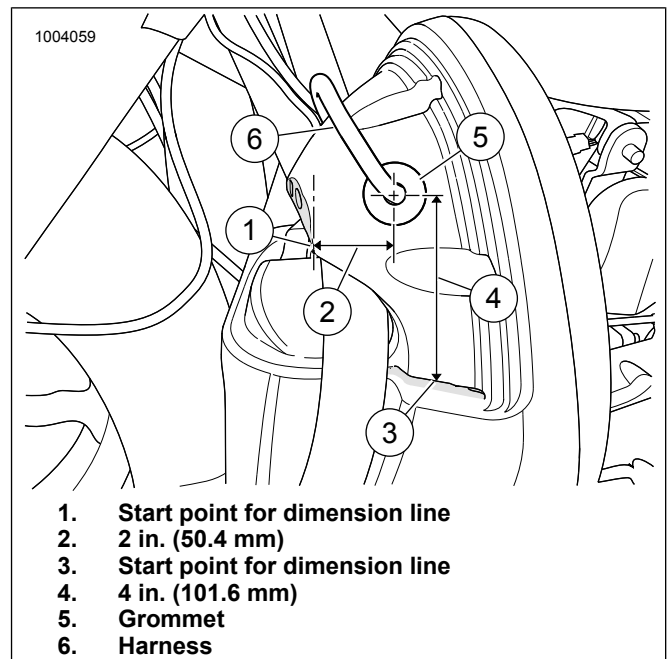
Use the wrench provided. Slowly tighten each set screw (3), alternating one turn at a time, until each set screw just makes contact with tweeter bridge (5). Once all screws make contact with bridge, tighten each screw 1/4-1/2 turn clockwise. This should hold the light engine in place without over-flexing light engine housing.

6. Route the cable (4) along tweeter bridge (5) leg. Using the tape in kit, cut to length and secure cable to back of tweeter bridge.



**Figure 10. Speaker, Tweeter, Tweeter Bridge and LED Light**

7. See service manual. Remove lower fairing cap.
8. See Figure 11. Mark location for pilot hole on outboard side of lower fairing.
  - a. Start point for dimension line (1) (back of lower fairing).
  - b. Make a mark at 2 in (50.4 mm)
  - c. Start point for dimension line (3) (inside bend).
  - d. Make a mark at 4 in (101.6 mm)
9. Drill a 1/8 in pilot hole.
10. Use a step drill to increase 1/8 in hole to 5/8 in. hole.



**Figure 11. Left Lower Fairing Shown**

11. See Figure 31. and Table 1. Slide the grommet about 6 in (15 cm) from the end of the harness (10).
12. Install harness with grommet in hole of lower fairing. Press the grommet into the hole by first starting one tapered edge of the grommet into the hole. Correctly installed the outside of the grommet should seat against the fairing. Press around the perimeter of the grommet to seat it in place.
13. See service manual. Install speaker in lower fairing.
  - a. See Figure 12. Join connectors (4) from the light engine to RGB harness.
  - b. Route light engine cable (3) along the back of the speaker (1) as shown. To stabilize the connectors (4), secure light engine cable (3) and RGB harness (5) with cable straps (2) as shown.
  - c. Connect speaker wires to speaker and position in speaker box.
  - d. Install grille and screws for speaker.

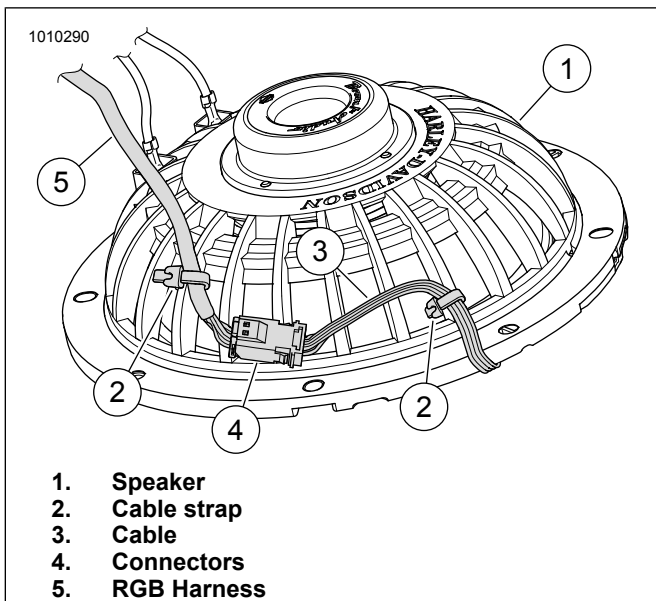


Figure 12. Speaker Back, Cable and Cable Tie

14. **NOTE**  
Adjust extra RGB harness slack as needed.

Route harness toward the frame using the engine guard.

15. See service manual. Install faring cap.

16. **NOTE**  
See Instruction Sheet J06266, Spectra Glo Controller and Remote FOB, for installing multiple RGB products.

See Figure 31. and Table 1. Connect and route 48-in. harness (12) from LED R/G/B controller through the wire trough and up the back bone.

17. See Figure 13. Route end of 48-in. harness to steering head (1). Use caddy (2) to secure harness.

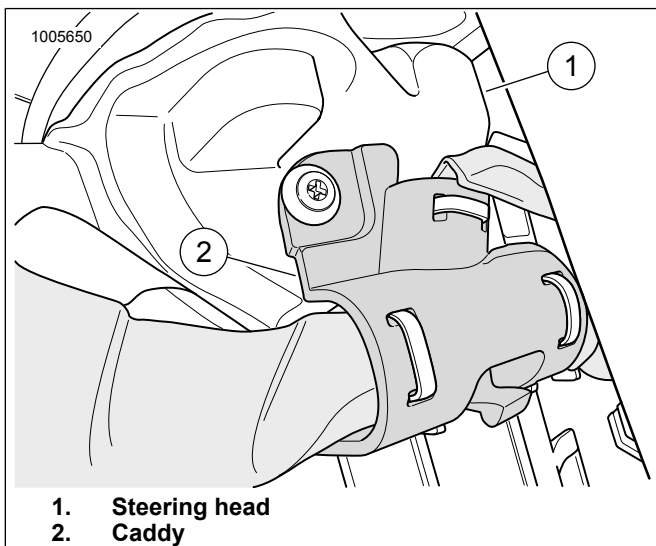


Figure 13. Steering Head

18. See Figure 31. and Table 1. Route light engine harness from speaker to steering head and connect to the 48-in. harness (12) at steering head using 3-way harness (8).
19. Bundle the harnesses from the controller and speakers. Secure the harnesses with cable straps.
20. Repeat steps for the opposite speaker.

## Tour-Pak®

1. If Controller Kit (Part No. 68000218) is not installed, install now following instructions in that kit.

2. **NOTE**

Use caution when working with tweeters and grilles. These components are delicate and can be damaged if mishandled.

See service manual. Remove Tour-Pak speakers. Retain hardware for later use.

3. See Figure 14. Remove protective paper (6) from foam tape (5) on back of light engine (1).

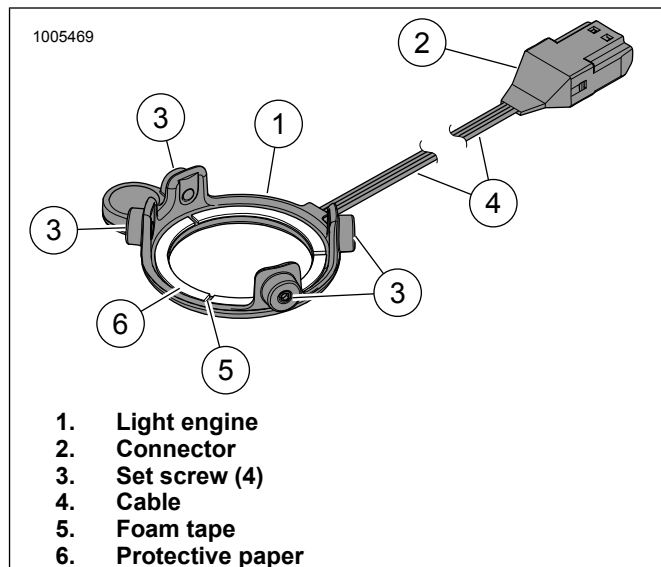


Figure 14. LED Light, Round Stage I Speaker

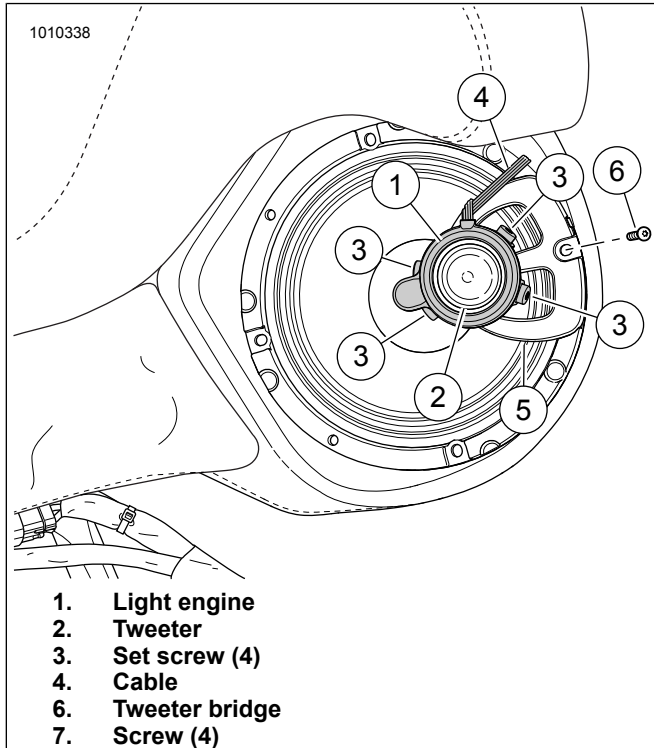
4. **NOTE**  
Wipe clean the mounting surface area of the tweeter.

See Figure 15. Place light engine (1) on tweeter (2) as shown. Lightly compress light engine in place.

5. **NOTE**  
DO NOT over tighten set screws. Over tightening may cause unit damage, tweeter bridge damage, or may render the unit inoperable.

Use the wrench provided. Slowly tighten each set screw (3), alternating one turn at a time, until each set screw just makes contact with tweeter bridge (5). Once all screws make contact with bridge, tighten each screw 1/4-1/2 turn clockwise. This should hold the light engine in place without over-flexing light engine housing.

6. Route the cable (4) along tweeter bridge (5) leg. Using the tape in kit, cut to length and secure cable to back of tweeter bridge. Secure cable to back of speaker with cable strap.



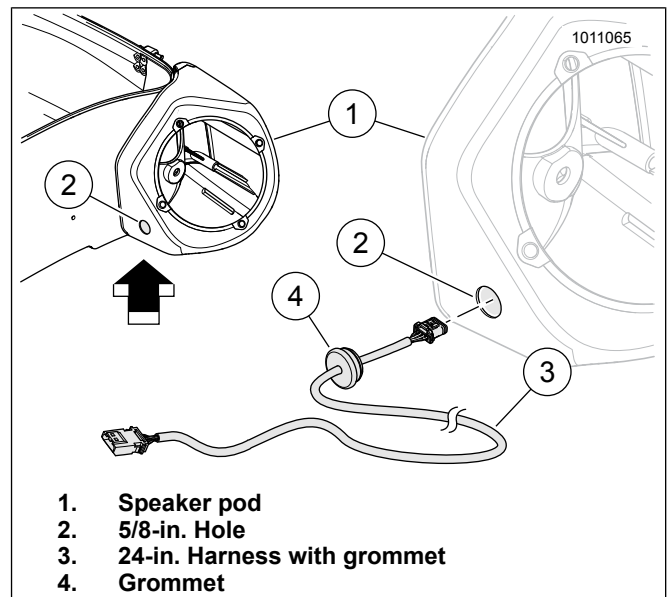
**Figure 15. Speaker, Tweeter, Tweeter Bridge and LED Light**

7. **NOTE**  
Pull wires away from drilling area.

Drill a 1/8 in pilot hole. Use a step drill to increase 1/8 in hole to 5/8 in.

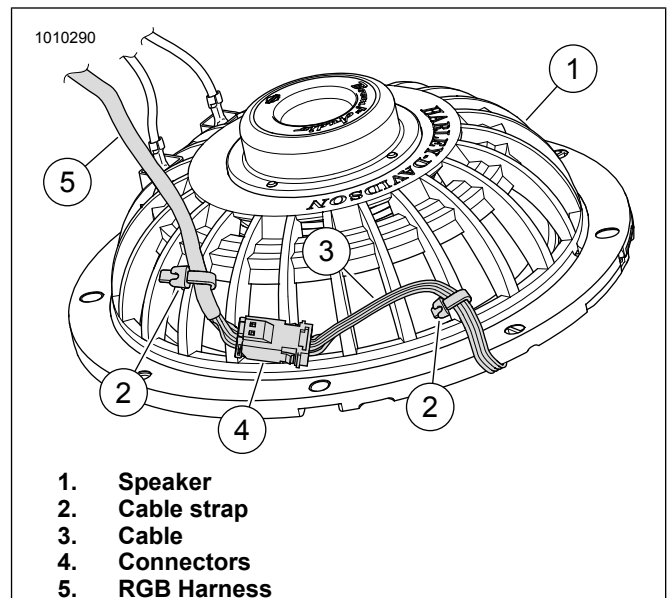
See Figure 16. Drill a 5/8 in (16 mm) hole (2) in each speaker pod (1), approximately where shown.

8. Lightly sand the speaker housings around the grommet holes.
9. Slide the grommet (4) about 6 in (15 cm) from the end of the harness (3).
10. Insert the male end of the harness with grommet (4). Press the grommet (4) into the hole by first starting one tapered edge of the grommet into the hole. Correctly installed the outside of the grommet should seat against the outside of the speaker pod. Press around the perimeter of the grommet to seat it in place.



**Figure 16. Left Speaker Pod**

11. See service manual. Install speaker in pod.
  - a. See Figure 17. Join connectors (4) from the light engine to RGB harness.
  - b. Route light engine cable (3) along the back of the speaker (1) as shown. To stabilize the connectors (4), secure light engine cable (3) and RGB harness (5) with cable straps (2) as shown.
  - c. Connect speaker wires to speaker and position in speaker box.
  - d. Install grille and screws for speaker.



**Figure 17. Speaker Back, Cable and Cable Tie**

12. Repeat steps for the opposite speaker.

13. **NOTE**  
See Instruction Sheet J06266, Spectra Glo Controller and Remote FOB, for installing multiple RGB products.

See Figure 31. and Table 1. Connect and route 48-in. harness (12) from LED R/G/B controller toward Tour Pak speakers. Connect 3-way harness (8) to speaker connections.

14. **NOTE**  
Adjust extra RGB harness slack as needed.

Route controller and light kit connectors and harnesses.

15. Bundle the harnesses from the controller and speakers. Secure the harnesses with cable straps.

## Saddlebag

1. If Controller Kit (Part No. 68000218) is not installed, install one now following instructions in that kit.

2. See service manual. Remove saddlebags.

3. **NOTE**  
Unfinished saddlebag covers must be finish painted before speaker installation.

To minimize damage to paint during cutting and drilling. Cover both sides of the area being drilled or cut with masking tape.

Place saddlebag on protected surface with mounting (inboard) side facing up.

4. See Figure 18. Place template (1) on outside front of saddlebag. The template oval holes fit over front latch fasteners (2). Secure the template with tape (4).
5. Drill a 1/8 in pilot hole (3).
6. Remove template. Use a step drill to increase 1/8 in hole to 5/8 in. hole.

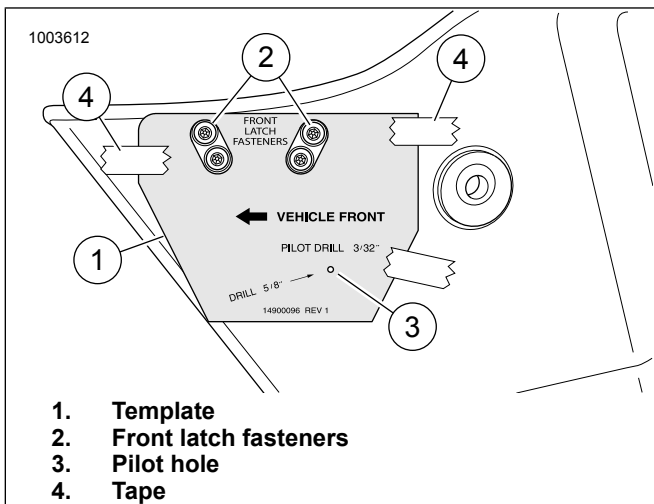


Figure 18. Template and Saddlebag

7. See Figure 19. Remove the speaker grille screws (3). Retain for later use.
8. Remove speaker grille (4). Retain for later use.
9. Note location of the rubber washers (1) for reuse.

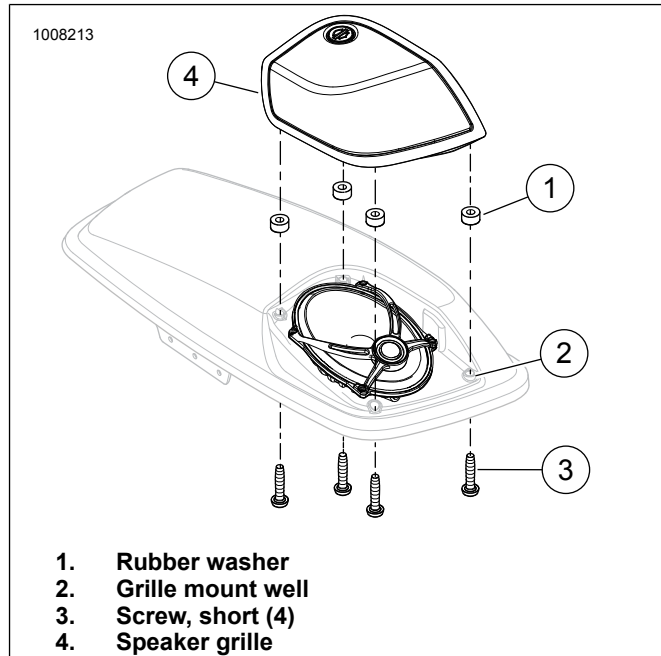


Figure 19. Grille Installation and Removal

10. **NOTE**  
Use caution when working with tweeters and grilles. These components are delicate and can be damaged if mishandled.

Remove four screws, speaker from saddlebag and disconnect harness. Retain hardware for later use.

11. See Figure 20. Remove protective paper (6) from foam (5) tape on back of light engine (1).

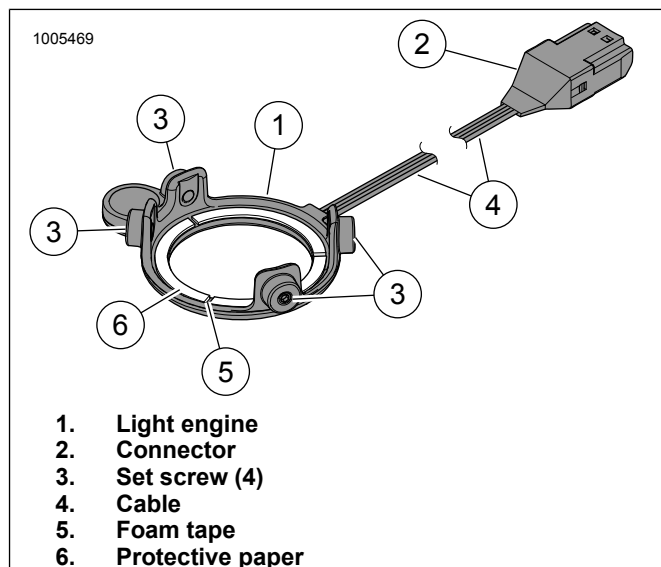


Figure 20. LED Light, Saddlebag Stage I Speaker



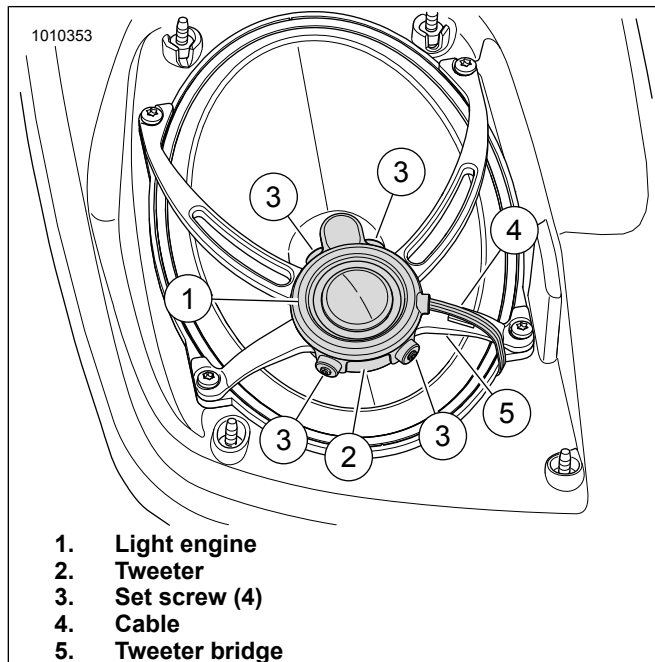
12. **NOTE**  
Wipe clean the mounting surface area of the tweeter.

See Figure 21. Place light engine (1) on tweeter bridge (2) as shown. Lightly compress light engine in place.

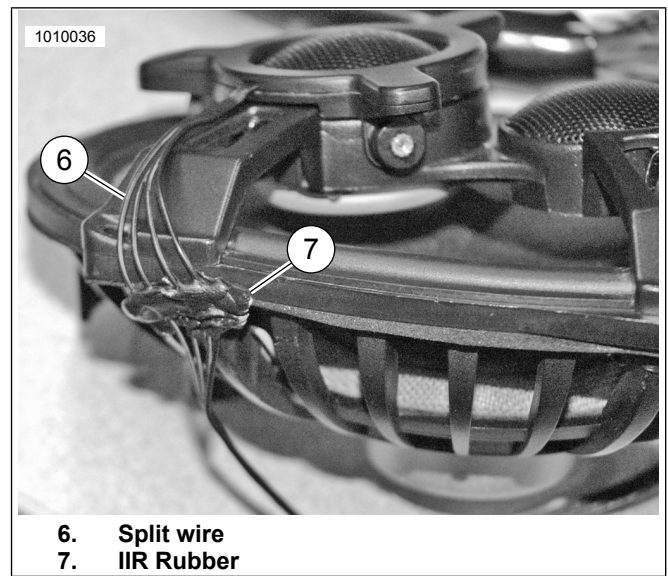
13. **NOTE**  
*DO NOT over tighten set screws. Over tightening may cause unit damage, tweeter bridge damage, or may render the unit inoperable.*

Slowly tighten each set screw (3), alternating one turn at a time, using wrench provided, until each set screw just makes contact with tweeter bridge. Once all screws make contact with bridge, tighten each screw ¼-½ turn clockwise. This should hold the light engine in place without over-flexing light engine housing.

14. Route the cable (4) along tweeter bridge (5) leg. Using the tape in kit, cut to length and secure cable to back of tweeter bridge. Locate area near light engine where wires are separated individually. See Figure 22. Verify this split wire (6) area is located on the speaker gasket. Place a small amount (pea size) of IIR rubber (7) strip over split wires at gasket area. See Figure 24. Secure cable to back of speaker with cable strap (2).



**Figure 21. Light Engine Installation**



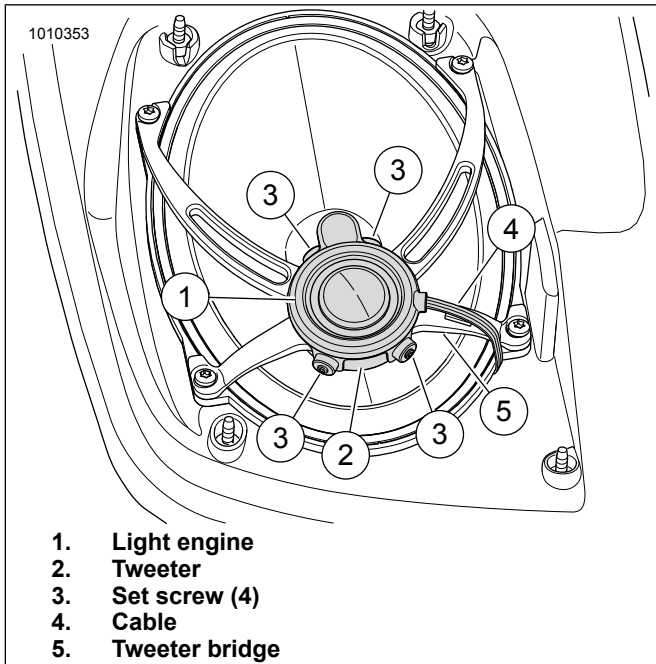
**Figure 22. IIR Rubber**

15. See Figure 24. Slide the grommet (6) about 4-1/2 in (11 cm) from the end of the harness (3). This will leave about 4-1/2 in (11 cm) outside the saddlebag once the grommet is installed.

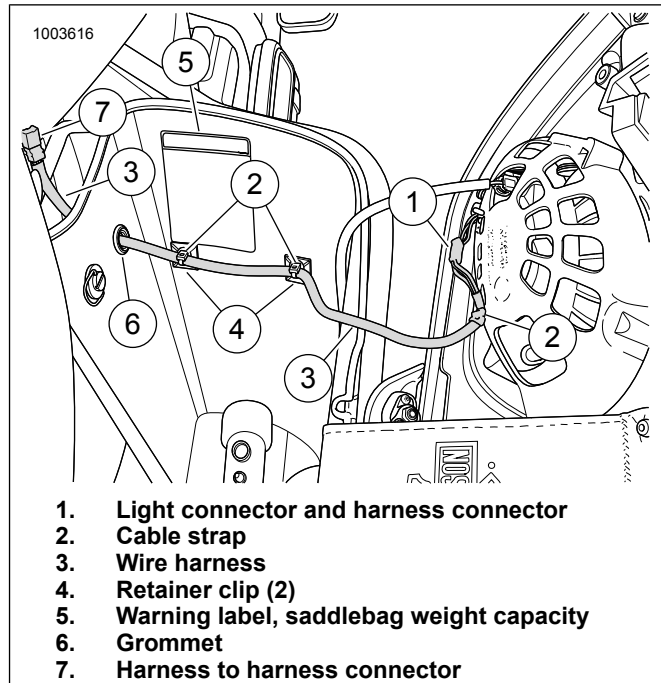
16. Install wire harness (3) with grommet (6). Slide the light engine connector from outside the saddlebag to the inside. Tapered edge of the grommet faces the saddlebag. Press the grommet (6) into the hole by first starting one tapered edge of the grommet into the hole. Correctly installed the outside of the grommet should seat against the outside of the saddlebag. Press around the perimeter of the grommet to seat it in place.

17. See Figure 23. Position tweeter (2) toward the front of the saddlebag as shown. Verify IIR Rubber is between split wire area and saddlebag housing. This should encapsulate the wires and seal speaker cone to saddlebag housing to prevent water intrusion. Connect speaker to harness and secure speaker with screws removed earlier. Alternately tighten screws to:

Torque: 1.1–1.7 N·m (10–15 in-lbs)



**Figure 23. Speaker Installation**



**Figure 24. Saddlebag Wire Routing**

18. See Figure 24. Join connectors (1) from the light engine to the harness. Secure harness to speaker near the connection with cable strap (2)

19. **NOTE**

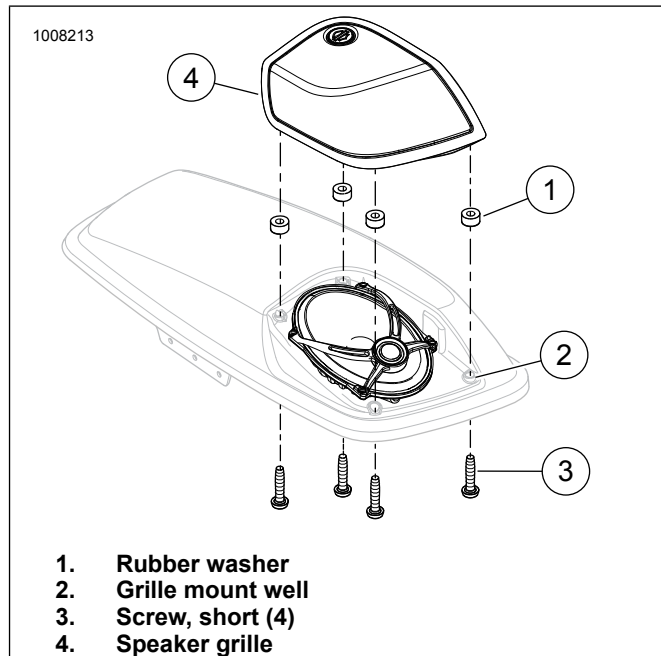
*Do not obstruct the saddlebag weight capacity warning label (5).*

Install two retainer clips (4) to the front panel of saddlebag as shown.

20. Route wires as shown. Open and close the saddlebag lid. Verify there are no obstructions. Secure wires to retainers using cable straps.

21. Repeat steps for opposite speaker.

22. See Figure 25. Place rubber washers (1) into the grille mount well (2).



**Figure 25. Grille Installation and Removal**

23. Verify rubber washers (1) are in place. Place the speaker grille (4) into position over the speaker face. Secure with the four short screws (3). Alternately tighten the screws to:

Torque: 1.1–1.7 N·m (10–15 in-lbs)

24. **NOTE**

*See Instruction Sheet J06266, Spectra Glo Controller and Remote FOB, for installing multiple RGB products.*

See Figure 31. and Table 1. Connect and route 48-in. harness (12) from LED R/G/B controller toward the saddlebags. Connect 3-way harness (8) to speaker connections.

25. Bundle the harnesses from the controller and light engine. Secure the harnesses with cable straps.

## Tri Glide® Trike

1. If Controller Kit (Part No. 68000218) is not installed, install now following instructions in that kit.

2. **NOTE**

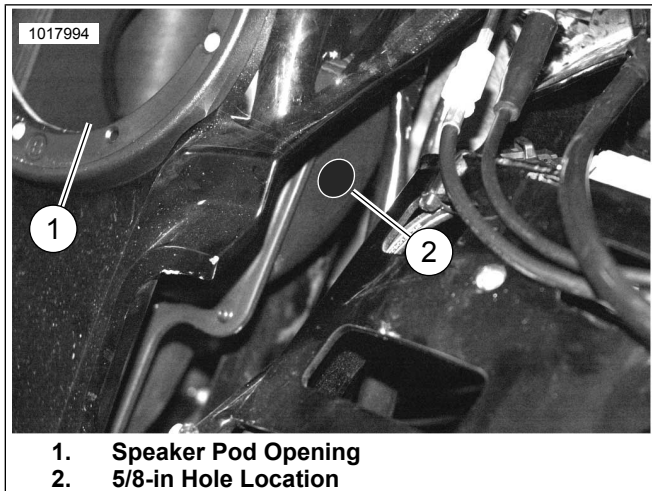
*Use caution when working with tweeters and grilles. These components are delicate and can be damaged if mishandled.*

Remove screws and body speakers. Retain hardware for later use.

3. **NOTE**

*Drill a 1/8 in pilot hole.*

See Figure 26. From within the speaker pod opening (1), drill a 5/8 in (16 mm) hole (2) in general area of the flat surface.



1. **Speaker Pod Opening**
2. **5/8-in Hole Location**

**Figure 26. Drill 5/8-in Hole Location**

4. Deburr holes as needed and clean speaker pods from residual cutting material.

5. **NOTE**

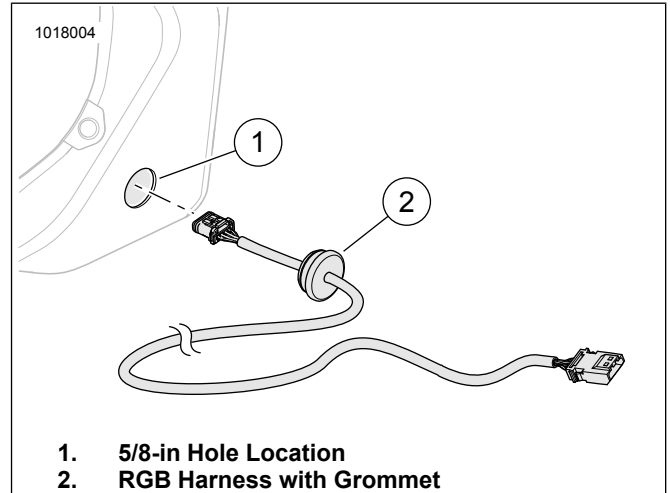
*Tapered edge of the grommet faces the male end of the harness.*

See Figure 31. and Table 1. Slide the grommet about 6 in (15 cm) from the male end of the harness (10).

6. **NOTE**

*Tapered edge of the grommet faces the inside of the speaker pod when installed.*

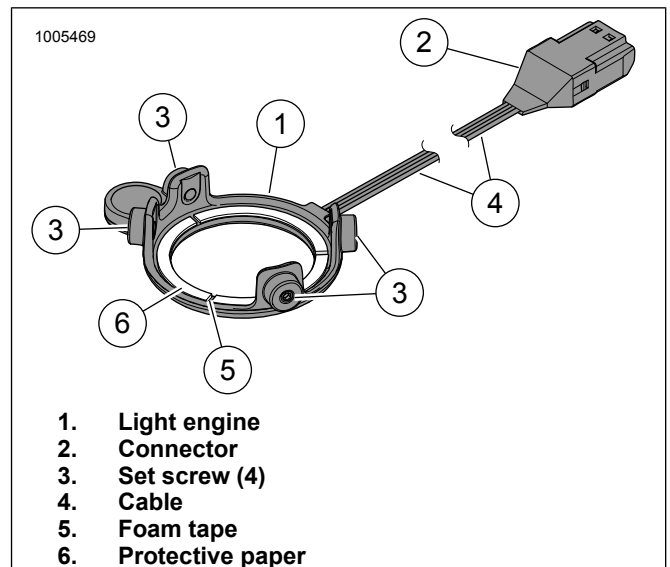
See Figure 27. From the inboard side of the speaker pod, insert the male end of the harness with grommet (2). Press the grommet into the 5/8 in (16 mm) hole (1) by first starting one tapered edge of the grommet into the hole. Correctly installed the outside of the grommet should seat against the outside of the speaker pod. Press around the perimeter of the grommet to seat it in place.



1. **5/8-in Hole Location**
2. **RGB Harness with Grommet**

**Figure 27. RGB Harness Installation**

7. See Figure 28. Remove protective paper (6) from foam tape (5) on back of light engine (1).



1. **Light engine**
2. **Connector**
3. **Set screw (4)**
4. **Cable**
5. **Foam tape**
6. **Protective paper**

**Figure 28. LED Light, Round Stage I Speaker**

8. **NOTE**

*Wipe clean the mounting surface area of the tweeter.*

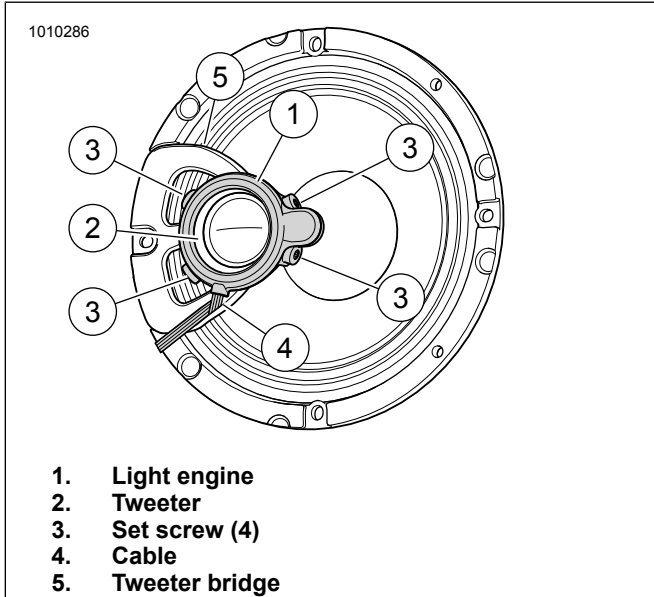
See Figure 29. Place light engine (1) on tweeter (2) as shown. Lightly compress light engine in place.

9. **NOTE**

*DO NOT over tighten set screws. Over tightening may cause unit damage, tweeter bridge damage, or may render the unit inoperable.*

Use the wrench provided. Slowly tighten each set screw (3), alternating one turn at a time, until each set screw just makes contact with tweeter bridge (5). Once all screws make contact with bridge, tighten each screw ¼-½ turn clockwise. This should hold the light engine in place without over-flexing light engine housing.

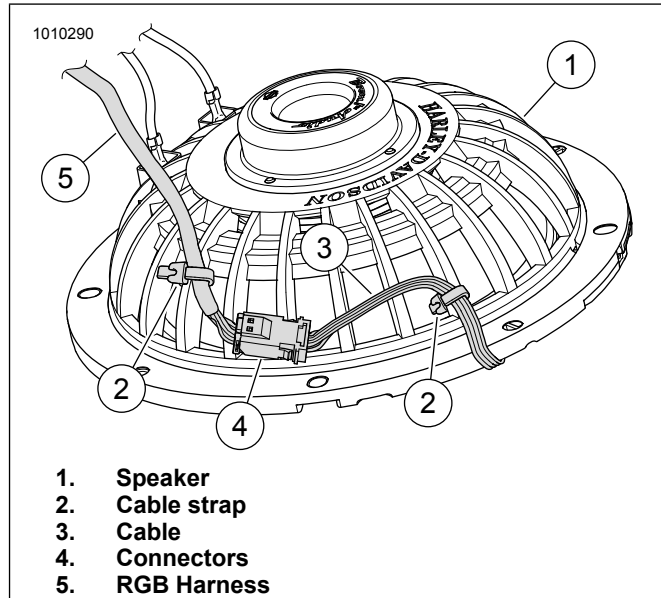
10. Route the cable (4) along tweeter bridge (5) leg. Using the tape in kit, cut to length and secure cable to back of tweeter bridge.



**Figure 29. Speaker, Tweeter, Tweeter Bridge and LED Light**

11. See service manual. Install body speaker.
  - a. See Figure 30. Join connectors (4) from the light engine to RGB harness.
  - b. Route light engine cable (3) along the back of the speaker (1) as shown. To stabilize the connectors (4), secure light engine cable (3) and RGB harness (5) with cable straps (2) as shown.

- c. Connect speaker wires to speaker and position in speaker pod.
- d. Install grille and screws for speaker.



**Figure 30. Speaker Back, Cable and Cable Tie**

12. **NOTE**  
See Instruction Sheet J06266, Spectra Glo Controller and Remote FOB, for installing multiple RGB products.

See Figure 31. and Table 1. Connect and route 48-in. harness (12) from LED R/G/B controller toward the body speakers. Connect 3-way harness (8) to speaker connections.

13. **NOTE**  
*Adjust extra RGB harness slack as needed.*

Bundle the harnesses from the controller and speakers. Secure the harnesses with cable straps.

14. Repeat steps for the opposite speaker.

# SERVICE PARTS

1006432

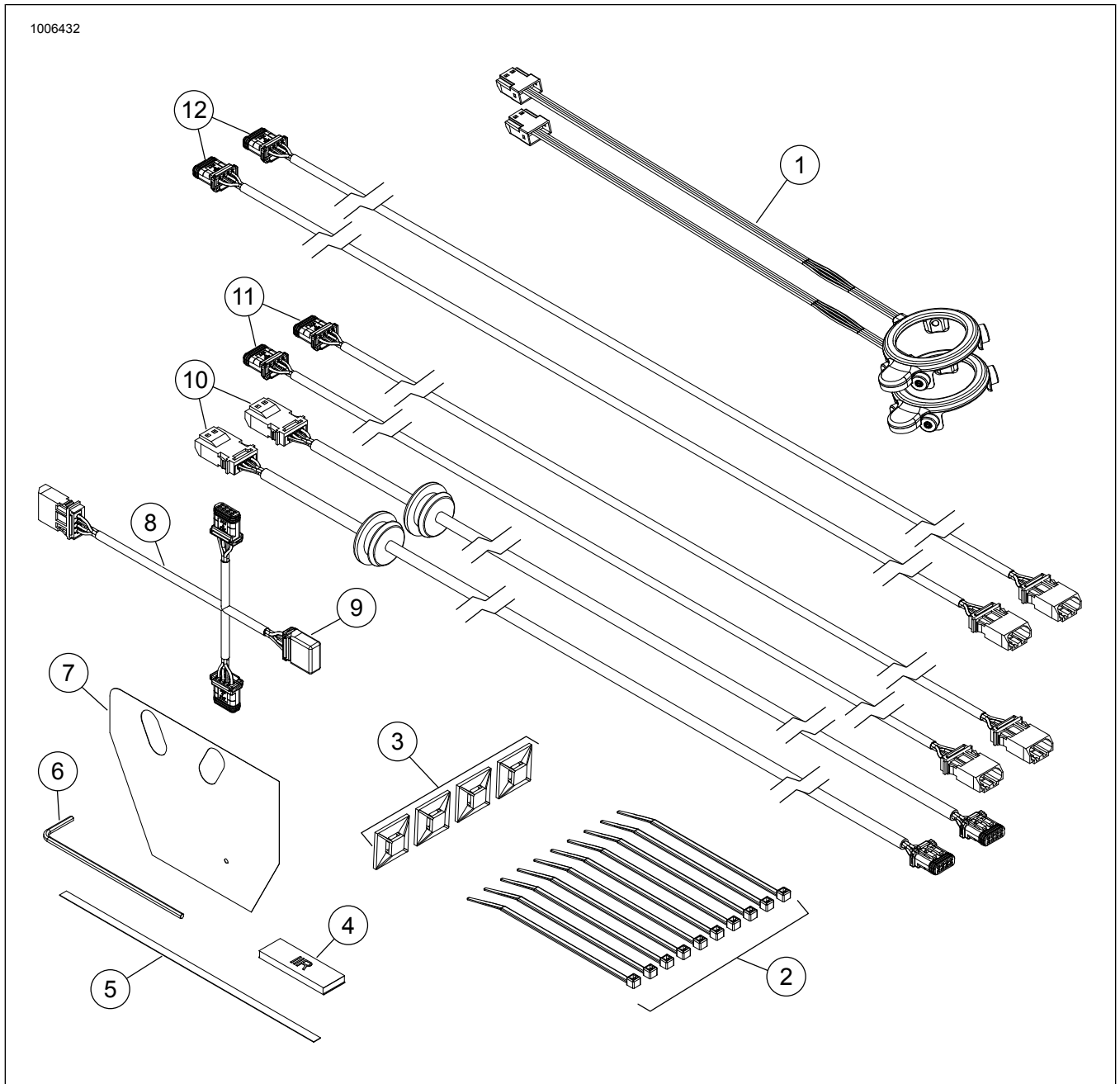


Figure 31. Service Parts, Stage I Speaker R/G/B/ LED Light Kits

## SERVICE PARTS

**Table 1. Service Parts Table**

Kit	Item	Description (Quantity)	Part Number
68000232	1	Light, saddlebag, stage I, LED, R/G/B, (2)	68000198
	2	Cable strap (10)	10126
	3	Wire retainer (4)	11769
	4	Rubber strip	Not Sold Separately
	5	Tape, two sided	11100181
	6	Wrench, hex, 2mm	14900095
	7	Template	14900069
	8	Wire harness, three-way	69201594
	9	End cap	69201597
	10	Wire harness, with grommet, 24 in (2)	69201595
	11	Wire harness, 24 in (2)	69201530
	12	Wire harness, 48 in (2)	69201625

## SPECTRA GLO LOAD CALCULATION INFORMATION

The Spectra Glo system is limited to 3000 mA. Use the following table to determine the total current draw of the desired

configuration. Calculate the total current draw by multiplying the number of kit(s) (each line) by the provided current draw. Sum all totals. The value should be less than or equal to 3000 mA. The following example describes how to calculate total system load.

**Table 2. Calculator Example of Spectra Glo Kits**

Kit Name	Kit Part Number	Number of Kits	Current mA	Total
Rider Footboards	50500492	1	500	500
Passenger Footboards	50500495	1	350	350
Fairing Vent	68000194		275	
Speaker Lights (Stage I)	68000232		125	
Speaker Lights (Stage II Round)	68000231	1	125	125
Speaker Lights (Stage II Saddle Bag)	68000233		125	
Base Light Pods (6)	68000213	2	450	900
Expansion Light Pods (4)	68000214	1	300	300
* System Total must be 3000 mA or less.			System Total =	2175

**Table 3. Spectra Glo RGB Accessory Calculator**

Kit Name	Kit Part Number	Number of Kits	Current mA	Total
Rider Footboards	50500492		500	
Passenger Footboards	50500495		350	
Fairing Vent	68000194		275	
Speaker Lights (Stage I)	68000232		125	
Speaker Lights (Stage II Round)	68000231		125	
Speaker Lights (Stage II Saddle Bag)	68000233		125	
Base Light Pods (6)	68000213		450	
Expansion Light Pods (4)	68000214		300	
* System Total must be 3000 mA or less.			System Total =	

**Table 4. Spectra Glo RGB Accessories**

Accessories	Part Number
Remote	68000217
JAE Cap	69201597
Y Harness (3-way)	69201594
3-in Jumper Harness	69201525
8-in Jumper Harness	69201529
24-in Jumper Harness	69201530
24-in Jumper w/grommet	69201595
48-in Jumper Harness	69201625