



# INSTRUCTIONS

J06294

2024-01-09



## INNER PRIMARY COVER

### GENERAL INFORMATION

Table 1. General Information

Kits	Suggested Tools	Skill Level <sup>(1)</sup>
25700631, 25700654	Safety Glasses, Torque Wrench	

(1) Tightening to torque value or other moderate tools and techniques required

### KIT CONTENTS

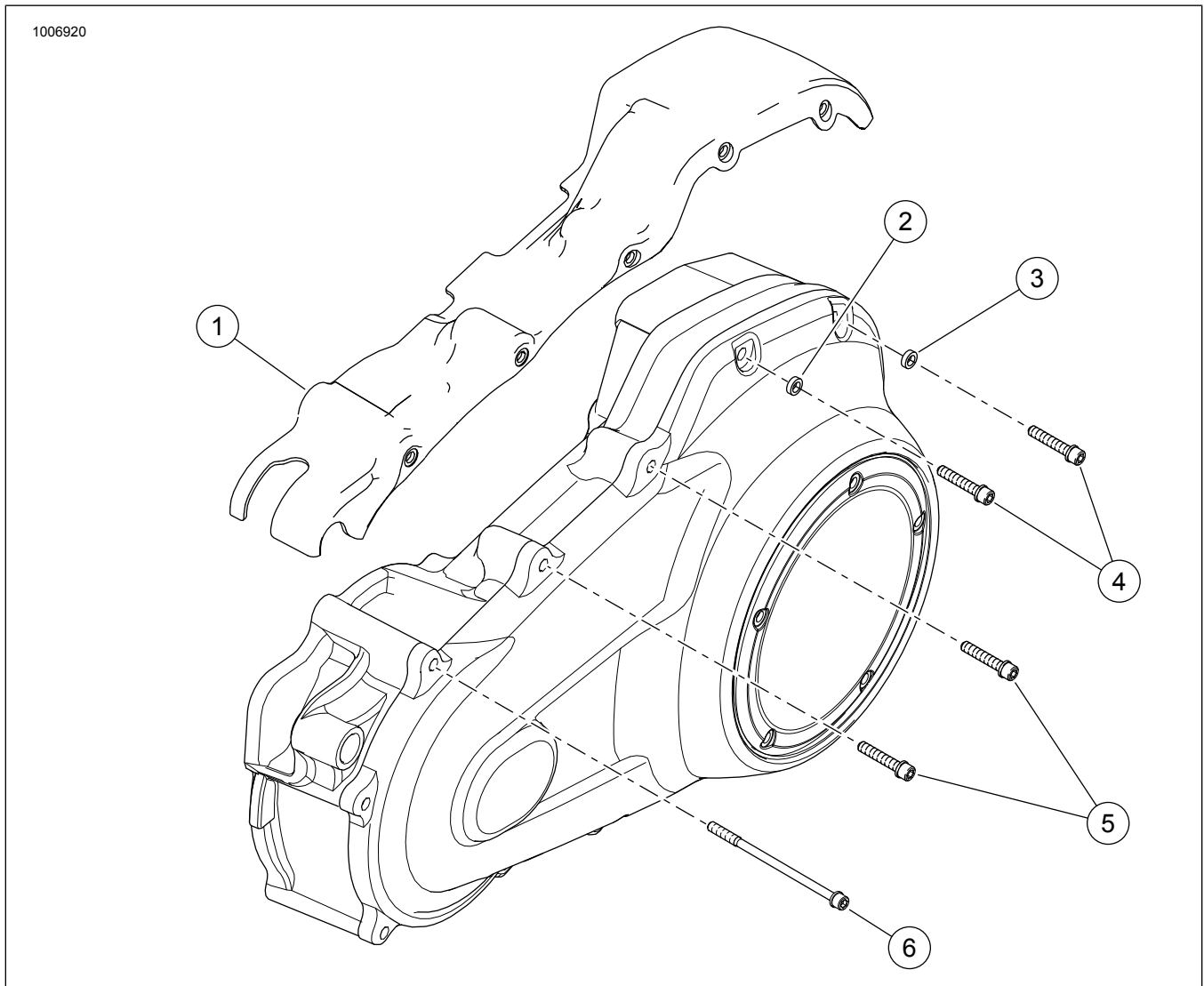


Figure 1. Kit Contents: Inner Primary Cover

**Table 2. Kit Contents: Inner Primary Cover**

<input checked="" type="checkbox"/> Verify that all contents are present in the kit before installing or removing items from vehicle.					
<input type="checkbox"/>	Item	Qty	Description	Part No.	Notes
<input type="checkbox"/>	1	1	Inner primary cover, black	Not sold separately	
<input type="checkbox"/>		1	Inner primary cover, black	Not sold separately	
<input type="checkbox"/>	2	1	Spacer (thin)	12400129	
<input type="checkbox"/>	3	1	Spacer (thick)	12400130	
<input type="checkbox"/>	4	2	Screw, 1/4-20 x 1-5/8 in, black	10200578	
<input type="checkbox"/>		2	Screw, 1/4-20 x 1-5/8 in, chrome	10200526	
<input type="checkbox"/>	5	2	Screw, 1/4-20 x 1-1/2 in, black	10200512	
<input type="checkbox"/>		2	Screw, 1/4-20 x 1-1/2 in, chrome	10200524	
<input type="checkbox"/>	6	1	Screw, 1/4-20 x 4 in, black	10200513	
<input type="checkbox"/>		1	Screw, 1/4-20 x 4 in, chrome	10200525	

## GENERAL

### NOTE

This instruction sheet **may have a Supplemental Video** to assist installer in clarifying a certain part of the assembly. A linked video would be located at the end of this instruction sheet.

## Models

For model fitment information, see the Parts and Accessories (P&A) Retail Catalog or the Parts and Accessories section of [www.harley-davidson.com](http://www.harley-davidson.com).

Verify that the most current version of the instruction sheet is used. It is available at: [h-d.com/isheets](http://h-d.com/isheets)

Contact Harley-Davidson Customer Support Center at 1-800-258-2464 (U.S. only) or 1-414-343-4056.

## Installation Requirements

### ▲ WARNING

**Rider and passenger safety depend upon the correct installation of this kit. Use the appropriate service manual procedures. If the procedure is not within your capabilities or you do not have the correct tools, have a Harley-Davidson dealer perform the installation. Improper installation of this kit could result in death or serious injury. (00333b)**

### NOTE

This instruction sheet references service manual information. A service manual for the year and model motorcycle is required for this installation and is available from:

- A Harley-Davidson dealer.
- H-D Service Information Portal, a subscription-based access available for most 2001 and newer models. For more information see *Frequently ask questions about subscriptions*.

## PREPARE

### NOTE

Removal of shift linkage may make removal and installation of inner primary cover easier.

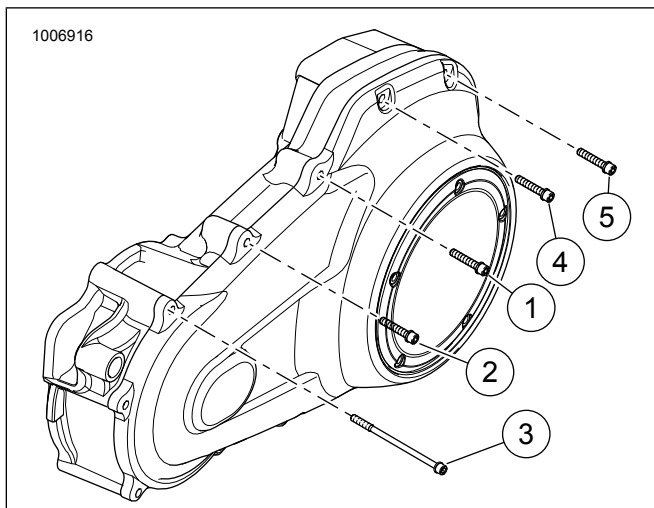
1. If needed, disconnect shift linkage.
  - a. Disconnect ball joint at each end from levers.

## REMOVE

1. See Figure 2. Remove and discard screws (1-5).

## INSTALL

1. If equipped, remove left side mid-frame air deflector.
2. See Figure 1 and Refer to Table 2. Install **new** inner primary cover (1) with spacers (2, 3) and **new** screws (4, 5, 6).
  - a. Install thicker spacer (3) between cover (1) and primary housing at rearmost screw location.
  - b. Install thinner spacer (2) between cover (1) and primary housing next to rearmost screw location.



**Figure 2. Tightening Sequence**

## **COMPLETE**

1. Figure 2 Tighten screws in sequence as shown.  
Torque: 16.3–17.6 N·m (12–13 ft-lbs) *Primary housing cover screws*
2. Install mid-frame air deflectors.  
Torque: 2.8–4 N·m (25–35 **in-lbs**) *Mid-frame air deflector screws*
3. If removed, install shift linkage.  
Torque: 7.9–10.2 N·m (70–90 **in-lbs**) *Shifter linkage ball joints*
4. Check for proper shift linkage operation and clearance before operating vehicle.