



INSTRUCTIONS

J06390

2017-01-16



BAR-END END CAP KIT

GENERAL

Kit Numbers

55900114

Models

For model fitment information, see the P&A Retail Catalog or the Parts and Accessories section of www.harley-davidson.com (English only).

Kit Contents

See Figure 2 and Table 1.

Additional Parts Required

This kit is designed for use along with a Bar-End Grips Kit (Part No. 56100199 or 56100202).

INSTALLATION

▲ WARNING

Rider and passenger safety depend upon the correct installation of this kit. Use the appropriate service manual procedures. If the procedure is not within your capabilities or you do not have the correct tools, have a Harley-Davidson dealer perform the installation. Improper installation of this kit could result in death or serious injury. (00333b)

NOTE

This kit cannot be installed on vehicles having electronic throttle control (ETC).

1. Install the appropriate Bar-End Grips Kit.

2.

NOTE

See Figure 1. Some handlebars can be used for both cable throttle and electronic throttle control (ETC). The ETC bars can be identified by having a cutouts in the right end.

See Figure 2. Assemble components.

- a. **22 mm handlebar:** Assemble components (2, 3, 4, 5). Add spacer (Part No. 12400134) from Bar-End Grip Kit (Part No. 56100202) to right end assembly.
- b. **FXDF:** Assemble components (4, 5, 6, 7). Add sleeve (1) to right end assembly.
- c. **1 in and 1-1/4 in handlebar without ETC cutout:** Assemble components (4, 5, 6, 7).

- d. **1 in and 1-1/4 in handlebar with ETC cutout:** Assemble components (4, 5, 6, 7). Add sleeve (8) if right end assembly.

3. Install end cap assembly into end of handlebar.

4. Tighten screw (5) to 4.7 N·m (42 in-lbs) .

▲ WARNING

Before starting engine, be sure throttle control will snap back to idle position when released. A throttle control that prevents engine from automatically returning to idle can lead to loss of control, which could result in death or serious injury. (00390a)

5. Verify that the right grip/throttle sleeve rotates and returns freely and does not bind on the handlebar or switch housing.

6. If throttle binds:

- a. Loosen switch housing screws.
- b. Slide switch housing inboard slightly to provide clearance between grip and end cap.

7. Tighten switch housing screws:

- a. Street: 0.9–1 N·m (8–9 in-lbs).
- b. All but Street: 4–5.1 N·m (35–45 in-lbs).

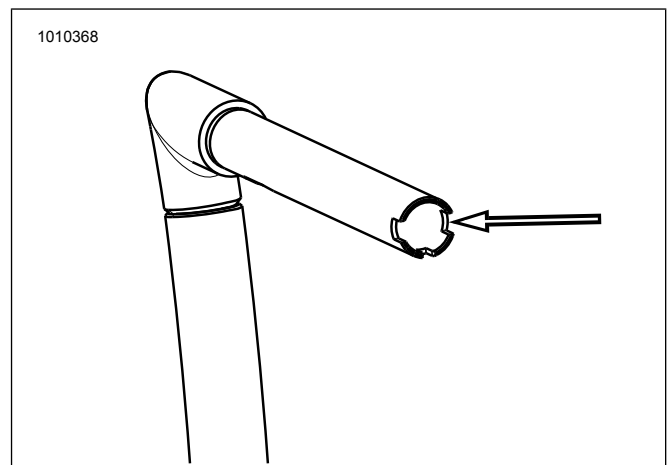


Figure 1. ETC Cutouts



SERVICE PARTS

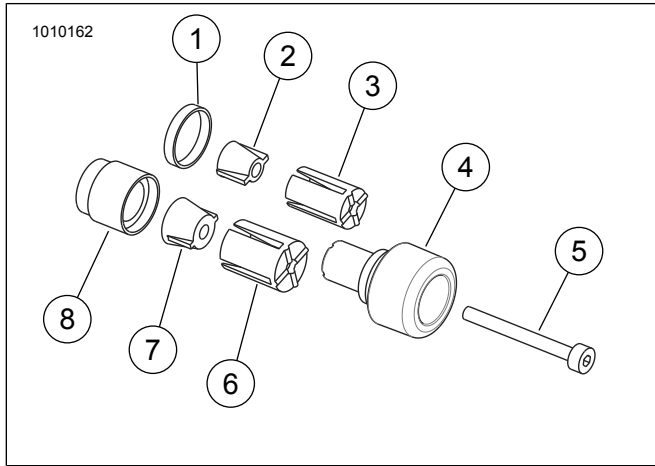


Figure 2. Service Parts: Bar-End Caps Kit

Table 1. Service Parts Table

Item	Description (Quantity)	Part Number
1	Spacer	Not sold separately
2	Ram, 22 mm	Not sold separately
3	Expander, 22 mm	Not sold separately
4	End cap	55900107
5	Screw, m5 x 50 mm	Not sold separately
6	Expander, 1 in	Not sold separately
7	Ram, 1 in	Not sold separately
8	Spacer	Not sold separately