



INSTRUCTIONS

J06402

2021-11-29



SOFTAIL PASSENGER FOOTPEG MOUNTING KIT

GENERAL

Kit Number

50500769 (black), 50500771 (chrome)

Models

For model fitment information, see the P&A Retail Catalog or the Parts and Accessories section of www.harley-davidson.com (English only).

Installation Requirements

⚠ WARNING

Rider and passenger safety depend upon the correct installation of this kit. Use the appropriate service manual procedures. If the procedure is not within your capabilities or you do not have the correct tools, have a Harley-Davidson dealer perform the installation. Improper installation of this kit could result in death or serious injury. (00333b)

NOTE

This instruction sheet references service manual information. A service manual for this year/model motorcycle is required for this installation. One is available from a Harley-Davidson dealer.

Kit Contents

See Figure 2 and Refer to Table 1.

REMOVAL OF STOCK SUPPORTS (IF EQUIPPED)

1. See Figure 1 Remove e-clip (8) and clevis pin (3) from footpeg support (1). Remove footpeg (5), and retain for later use.
2. Remove detent plate (4), detent spring (6), and detent ball (7) from footpeg support.
3. Remove socket head cap screw (2) and footpeg support (1) from vehicle.

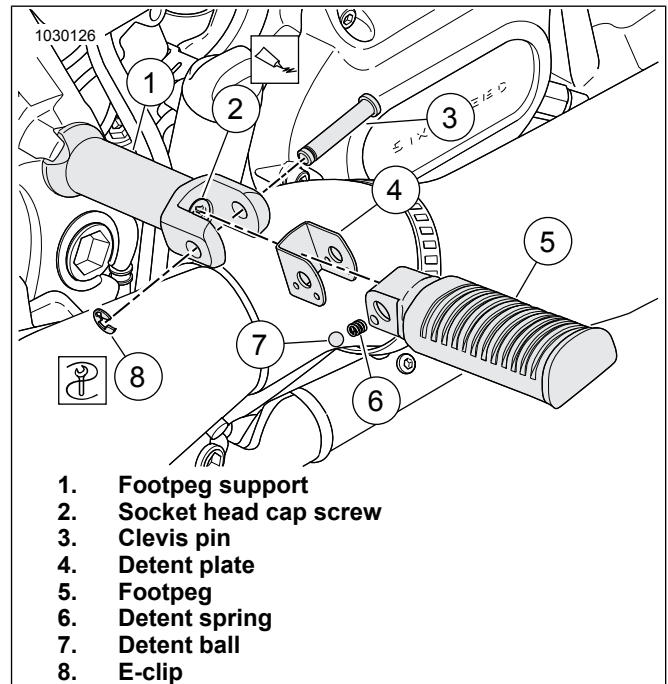


Figure 1. Softail Passenger Footpeg

INSTALLATION

Reference Figure 1 for installing new footpeg parts on vehicle.

1. Remove plastic plug in frame, if equipped.

2.

NOTE

Ensure clocking bump on frame matches up with divot on footpeg support.

See Figure 2. Position footpeg support (6) on vehicle. Install socket head cap screw (4) through footpeg support and into threaded hole of frame. Tighten to:

Torque: 50–70 N·m (38–48 ft-lbs)

3.

NOTE

Footpeg was previously removed from vehicle or purchased separately.

Install detent spring (2) and detent ball (1) into end of footpeg.

4.

NOTE

For proper footpeg operation, the two small holes of detent plate must be on the bottom.

Install detent plate (3) into end of footpeg support (6).



- Align footpeg with footpeg support and install clevis pin (7) and e-clip (5).

SERVICE PARTS

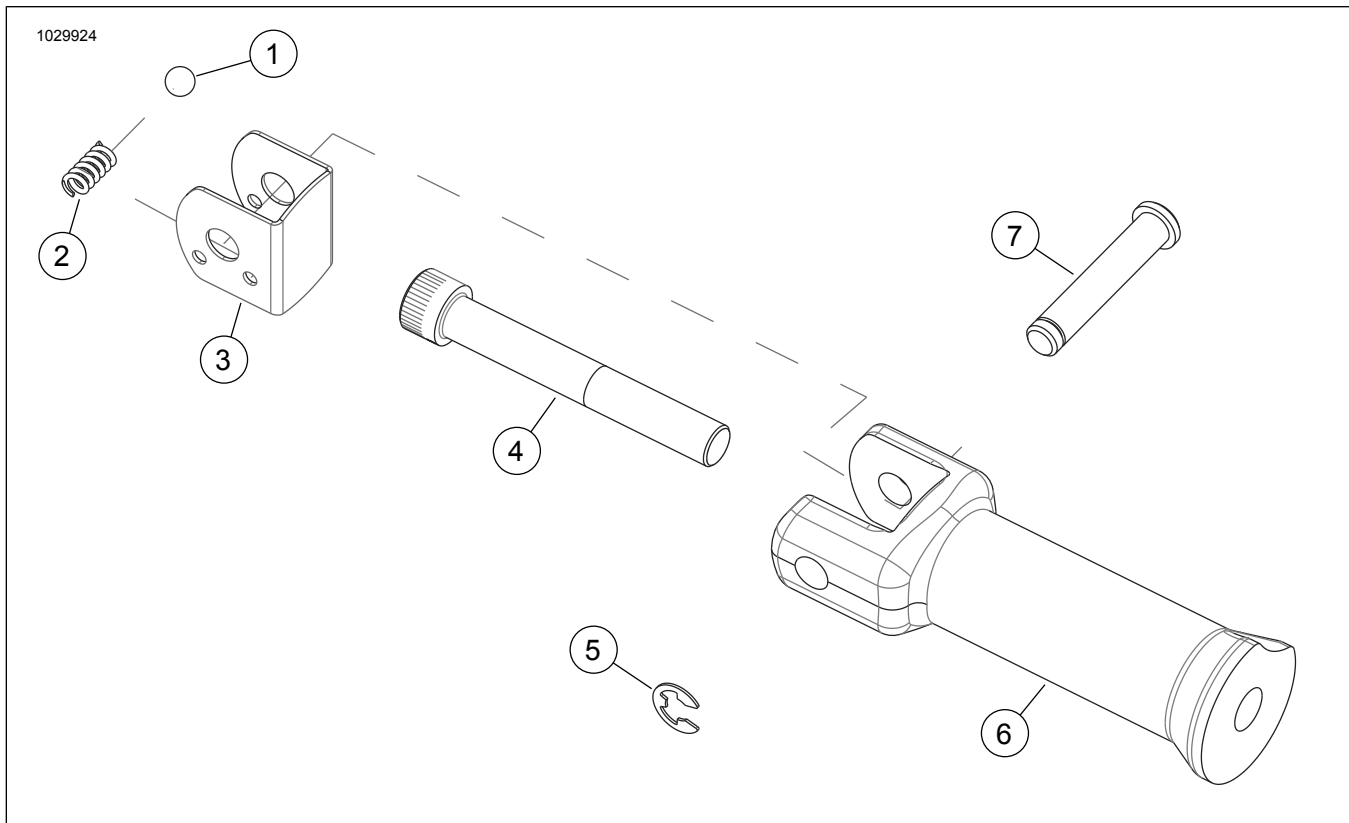


Figure 2. Service Parts, Passenger Footpeg Mounting Kit

Table 1.

Kit	Item	Description (Quantity)	Part Number
50500769	1	Detent Ball (2)	50500707
	2	Detent Spring (2)	50500706
	3	Detent Plate (2)	Not Sold Separately
	4	Socket Head Cap Screw (2)	4339A
	5	E-Clip (2)	50500701
	6	Passenger Footpeg Support, Black (2)	Not Sold Separately
	7	Clevis Pin (2)	50500702
50500771	1	Detent Ball (2)	50500707
	2	Detent Spring (2)	50500706
	3	Detent Plate (2)	Not Sold Separately
	4	Socket Head Cap Screw (2)	4339A
	5	E-Clip (2)	50500701
	6	Passenger Footpeg Support, Chrome (2)	Not Sold Separately
	7	Clevis Pin (2)	50500702