



# INSTRUCTIONS

J06478

2016-12-15



## SCREAMIN EAGLE ADJUSTABLE ROCKER ARM KITS

### GENERAL

#### Kit Numbers

17300069, 17300070

#### Models

For model fitment information, see the Screamin' Eagle Performance Parts and Accessories catalog, the Parts and Accessories section of [www.harley-davidson.com](http://www.harley-davidson.com) (English only), or visit [www.h-d.com/racecatalog](http://www.h-d.com/racecatalog).

#### Installation Requirements

##### ⚠ WARNING

Rider and passenger safety depend upon the correct installation of this kit. Use the appropriate service manual procedures. If the procedure is not within your capabilities or you do not have the correct tools, have a Harley-Davidson dealer perform the installation. Improper installation of this kit could result in death or serious injury. (00333b)

##### NOTE

This instruction sheet references service manual information. A service manual for this year/model motorcycle is required for this installation. One is available from a Harley-Davidson dealer.

#### Kit Contents

See Figure 2 and Table 1.

#### PREPARATION

##### ⚠ WARNING

To prevent accidental vehicle start-up, which could cause death or serious injury, remove main fuse before proceeding. (00251b)

1. See the service manual. Remove the following components:
  - a. Seat
  - b. Fuel tank
  - c. Cooling lines
  - d. Upper rocker cover

#### REMOVAL

1. Remove the rocker arms. See the service manual.

### INSTALLATION

1. Set piston at approximate BDC on the power stroke.
2. Install **new** rocker arms per the service manual.

#### ADJUST VALVE LASH

1. See Figure 1. Loosen lash adjuster nut (2).
2. While holding fixed arm (3) against valve, rotate lash adjuster screw (1) until clearance is removed.
3. Hold lash adjuster screw. Tighten lash adjuster nut. Torque: 10.2–13.6 N·m (90–120 in·lbs)
4. Repeat with remaining rocker arm.

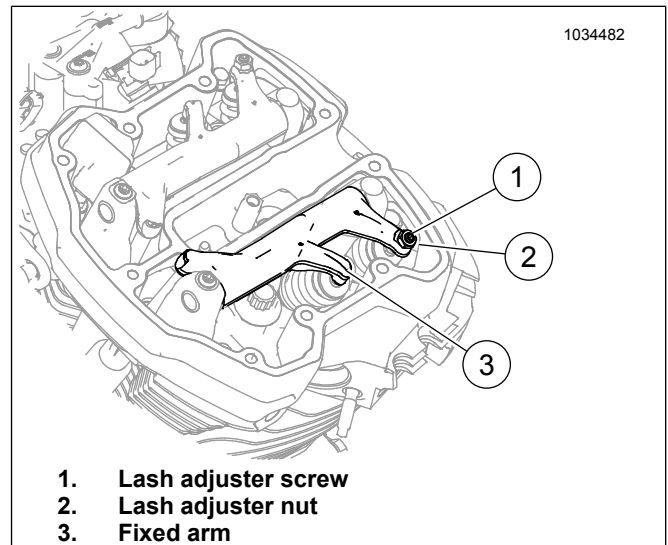


Figure 1. Adjust Valve Lash

#### COMPLETION

1. See the service manual. Install the following components:
  - a. Upper rocker cover
  - b. Cooling lines
  - c. Fuel tank
  - d. Seat
2. After installing seat, pull up on the seat to verify that it is secure.

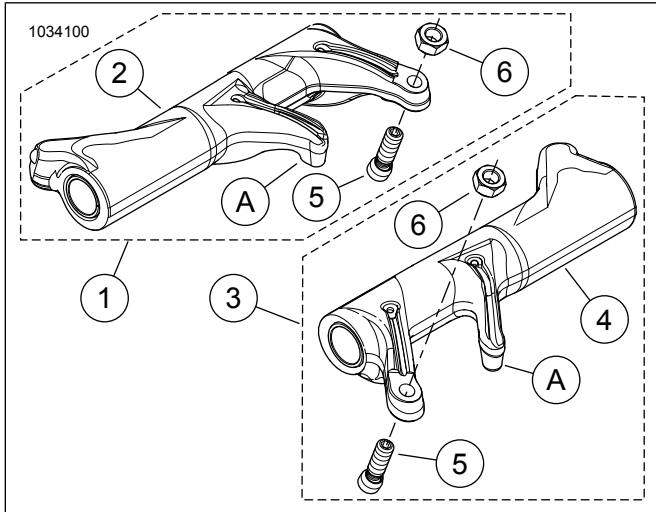
3.

**NOTE**

Verify that the ignition is **off** before installing the main fuse.

Install the main fuse. See the service manual.

**SERVICE PARTS**



**Figure 2. Service Parts: Screamin' Eagle Adjustable Rocker Arm Kits**

**Table 1. Service Parts**

Item	Description (Quantity)	Part Number
1	Adjustable Rocker Arm Kit, Front Exhaust/Rear Intake (includes items 2, 5, 6)	17300069
2	Rocker arm, adjustable, front exhaust/rear intake	Not sold separately
3	Adjustable Rocker Arm Kit, Rear Exhaust/ Front Intake (includes items 4, 5, 6)	17300070
4	Rocker arm, adjustable, rear exhaust/front intake	Not sold separately
5	Lash adjuster screw	Not sold separately
6	Lash adjuster nut	Not sold separately
<b>Items mentioned in text, but not included in kit:</b>		
A	Rocker arm fixed arm	