



# INSTRUCTIONS

J06027

2017-08-23



## INNER FAIRING GAUGE TRIM KIT

### GENERAL

#### Kit Numbers

61400260, 61400317, 61400399, 61400359, 61400360, 61400361

#### Models

For model fitment information, see the P&A retail catalog or the Parts and Accessories section of [www.harley-davidson.com](http://www.harley-davidson.com) (English only).

#### Kit Contents

There are no service parts available for this kit.

### PREPARATION

#### Preparation for All Trim Pieces

##### NOTICE

**Do not clean with denatured alcohol, mineral spirits, or other solvent products, or component damage may occur. (00411c)**

1. *NOTE*  
*Mounting surfaces must be above 16 °C (60 °F) for the trim piece to adhere.*

Use a 50:50 isopropyl alcohol/water solution to clean the mounting surface for each component.

2. Allow the surface to dry completely before continuing to install kit.

3. *NOTE*  
*Trim rings cannot be repositioned after initial installation. Verify that they are properly aligned before pressing into place.*

Test the fit of the trim piece before removing adhesive backing of the double-sided tape or the trim piece.

### INSTALLATION

#### Install Small Instrument Bezel Covers

1. See Figure 1. Take a 76 mm (3 in) long piece of tape (1) from the kit. Cut tape into four equal pieces.
2. Remove the liner from one side of the tape and apply the tape (spaced equally) to the instrument bezel (2). Press firmly.
3. Remove the remaining liner from the tape.

4. Position instrument bezel cover (3) over gauge. Press firmly into place.

##### NOTE

*Let the adhesive cure for at least 24 hours at no less than 16 °C (60 °F).*

5. Repeat for remaining gauges.

#### Install Large Instrument Bezel Covers

1. See Figure 1. Take a 152 mm (6 in) long piece of tape (4) from the kit. Cut tape into eight equal pieces.
2. Repeat steps 2 - 5 under "Install Small Instrument Bezel Covers".

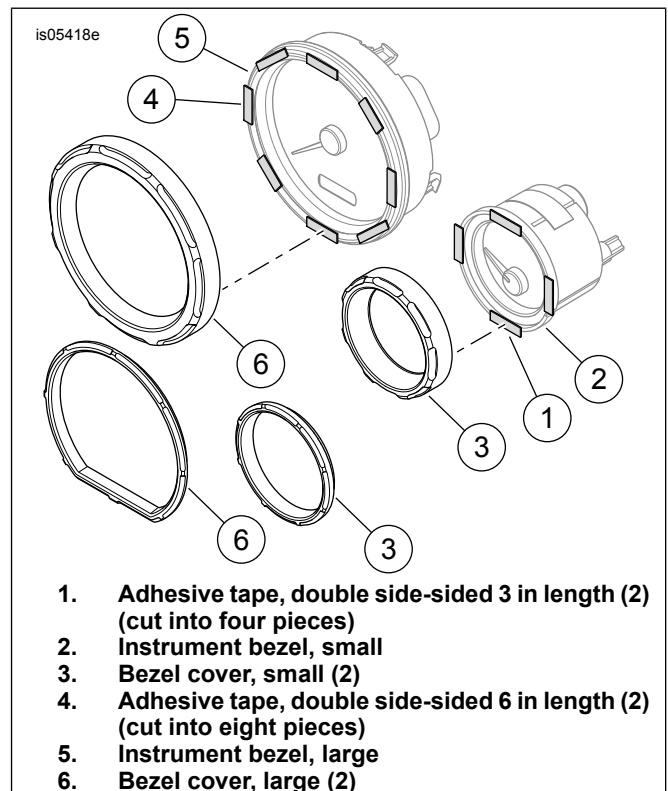


Figure 1. Trim Rings and Adhesive Tape

