



INSTRUCTIONS

J06326

2017-08-23



ELECTRICAL CONNECTION HARNESS

GENERAL

Kit Number

69201599A

Models

For model fitment information, see the P&A retail catalog or the Parts and Accessories section of www.harley-davidson.com (English only).

This harness provides battery power, ignition/accessory power and ground connection from the eight-way Molex P&A accessory connector [325B] to accessories connecting through a four-way Deutsch connector.

The harness in this kit can be used to power accessories that use: 4-way Deutsch connector and/or unterminated wires.

Installation Requirements

An Ultratorch UT-100 (Part No. HD-39969), Robinair Heat Gun (Part No. HD-25070) with Heatshrink Attachment (Part No. HD-41183). Or, other suitable radiant heating device is required for the proper installation of this kit.

Molex Electrical Connector Terminal Remover (Part No. HD-48114) required for accessories that require constant battery power connection to battery "+" terminal.

⚠ WARNING

Rider and passenger safety depend upon the correct installation of this kit. Use the appropriate service manual procedures. If the procedure is not within your capabilities or you do not have the correct tools, have a Harley-Davidson dealer perform the installation. Improper installation of this kit could result in death or serious injury. (00333b)

NOTE

This instruction sheet refers to service manual information. A service manual for this year/model motorcycle is required for this installation. One is available from a Harley-Davidson dealer.

Electrical Overload

NOTICE

It is possible to overload the vehicle's charging system by adding too many electrical accessories. If the combined electrical accessories operating at any one time consume more electrical current than the vehicle's charging system can produce, the electrical consumption can discharge the battery and cause damage to the vehicle's electrical system. (00211d)

⚠ WARNING

When installing any electrical accessory, be certain not to exceed the maximum amperage rating of the fuse or circuit breaker protecting the affected circuit being modified. Exceeding the maximum amperage can lead to electrical failures, which could result in death or serious injury. (00310a)

The power from this harness is fused at 10 amps through the vehicle harness.

Kit Contents

This harness comes fully assembled.

See Figure 2 and Table 1.

PREPARATION

⚠ WARNING

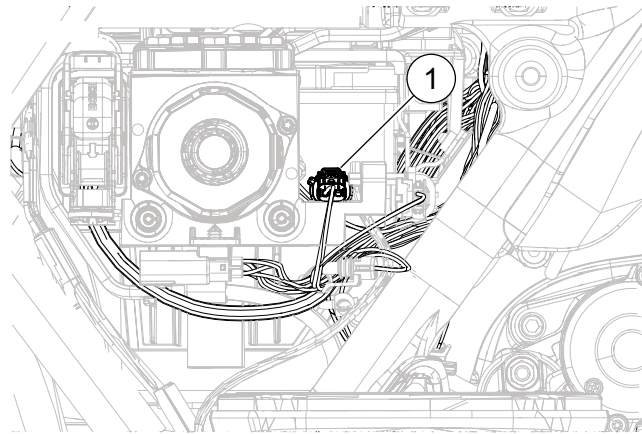
To prevent accidental vehicle start-up, which could cause death or serious injury, remove main fuse before proceeding. (00251b)

1. See the service manual. Remove main fuse.
2. See the service manual. Remove seat. Retain the seat and all mounting hardware.
3. Remove right side cover.
4. Remove electrical caddy from top of battery.

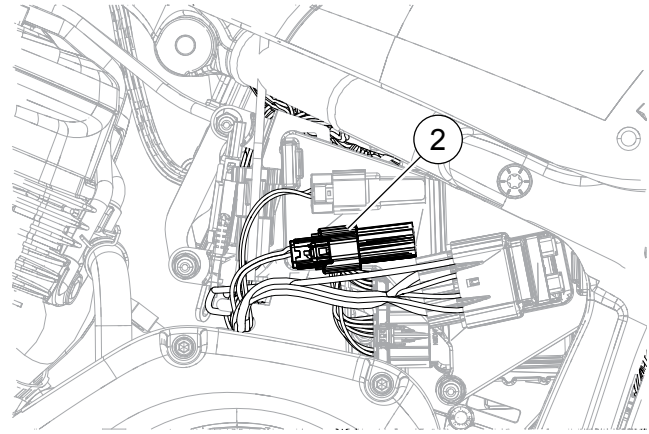


INSTALLATION

1050927



1. Accessory connector [325B] Touring



2. Accessory connector [325B] Softail

Figure 1. Accessory Connector

1. See Figure 2. Remove the fuse (4) from the inline fuse holder (A) of the B+ adapter.
2. See Figure 1. Locate P&A accessory connector [325B] (a black, three-way Molex pin housing with a weather cap) inside the electrical caddy under the right side cover (Touring) and under the left side cover (Softail).
3. See Figure 2 and Table 1. Release the secondary lock of accessory connector [325B] and remove seal pin from cavity 3. Insert the terminal end of the B+ adapter (3) into cavity 3. Press the secondary lock downward.
4. **Touring:** Route the ring terminal side of B+ adapter up the frame member, across the front of the battery and up the positive (+) terminal. **Softail:** Route the B+ adapter so it follows the "+" battery cable from the maxifuse to the + side of the battery.
5. Remove the positive battery terminal bolt. Install the ring side of wire harness (3) to positive terminal. Position the fuse holder so it can be accessed. Do not install fuse now.
6. Position the black 3-way connector near the vehicle connector [325]. Do not connect now.
7. **2017 and later Touring models:** Route harness (2) up the diagonal frame member toward the front of vehicle. Route through the frame. Route to the area in front of the battery.
8. Wiring Routing:
 - **2017 and later Touring models:** Position the 4-way pin side connector and wire cap sides of the harness in the frame pocket in front of the battery.
 - **2018 and later Softail models:** If the spice cap end is used, route that branch forward near the bottom of the tank.

The capped 4-way and 3-way connector branches should be coiled and placed under the left side cover secured with cable straps.

NOTE

Be sure the wires have sufficient clearance to the rear shock absorber.

9. Position any unused connectors in an orientation with cap on the bottom so moisture will not accumulate inside the connector.

NOTE

If multiple accessories are connected, it may be advantageous to route the capped 3 and 4-way connectors to the RH side of the vehicle and make the connections on that side. This can be done by removing (325) from the caddy and rerouting it's branch to the RH side and following the main harness across the top of the starter. Make sure the harness has sufficient clearance to the rear shock.

ACCESSORY ELECTRICAL CONNECTION

The Electrical Connection Harness serves as a convenient connection point for accessories that require and ground and 12v power ignition/accessory power (switched power) and or constant battery power (12v+).

1. Route the wires of the accessory over to the Electrical Connection Harness per the instructions in **that** kit.

NOTE

- To connect multiple powered accessories to the four-way Deutsch pin connector on the kit harness, use Electrical Accessory Adapter (Part No. 70264-94A) available separately. Do not overload the vehicle charging system.
- If NO powered accessories are connecting to the four-way Deutsch pin connector on the kit harness, insert the attached weather cap into the connector
- If NO powered accessories are connecting to the three individual wires on the kit harness, leave the wire caps in place on the wire ends. Tuck the unused wires back inside the conduit or secure with electrical tape.

2. **Accessories with a four-way Deutsch socket power connection** plug directly into the Electrical Connection Harness or Electrical Accessory Adapter. **Accessories connecting to power with three individual wires:** See Figure 2. Cut the wires of the accessory (or accessories) to a suitable length to reach the three individual wires on the Electrical Connection Harness. Cut the wire caps from the three wires on the harness.

Splicing of wire leads is necessary in the installation of many accessories to the vehicle. Refer to the service manual appendix for proper wire splicing procedures.

- Up to three #16 AWG wires can connect to each sealed splice connector. If more than three #16 AWG wires must be connected, more sealed splice connectors are required. Do not overload the vehicle charging system.
- The ignition/accessory wire (or wires, typically orange with a white stripe) must be spliced to the **violet/blue** wire in the Electrical Connection Harness.
- The constant battery power wire (or wires, typically red) must be spliced to the **red/blue** (battery power) wire in the Electrical Connection Harness.
- The accessory ground wire (or wires, typically black) must be spliced to the **black** (ground) wire in the Electrical Connection Harness.

▲ WARNING

Be sure to follow manufacturer's instructions when using the UltraTorch UT-100 or any other radiant heating device. Failure to follow manufacturer's instructions can cause a fire, which could result in death or serious injury. (00335a)

- Avoid directing heat toward any fuel system component. Extreme heat can cause fuel ignition/explosion resulting in death or serious injury.

- Avoid directing heat toward any electrical system component other than the connectors on which heat shrink work is being performed.
 - Always keep hands away from tool tip area and heat shrink attachment.
3. Use a heat gun or suitable radiant-heating device to shrink the connector to the wires. Seal any unused connections to protect against corrosion.
 4. Remove dust cap from connector [325B].
 5. Connect mating 3-way Molex connectors [325A to 325B].
 6. Secure the harnesses with cable straps.

COMPLETION

Additional cable straps and adhesive cable strap bases are provided to manage wiring of the mating accessory harness down the vehicle's backbone and under vehicle's side covers.

NOTE

*To prevent possible damage to the sound system, verify that the ignition switch is OFF **before** installing the main fuse.*

1. Install 10A fuse (4) in the fuse holder (A) of the B+ harness (3).
2. See the service manual. Install main fuse.
3. Test the accessory or accessories for proper operation.
4. Install seat. After install seat, pull up on the seat to verify that it is secure. See service manual.
5. Install side covers (if not already installed).

SERVICE PARTS

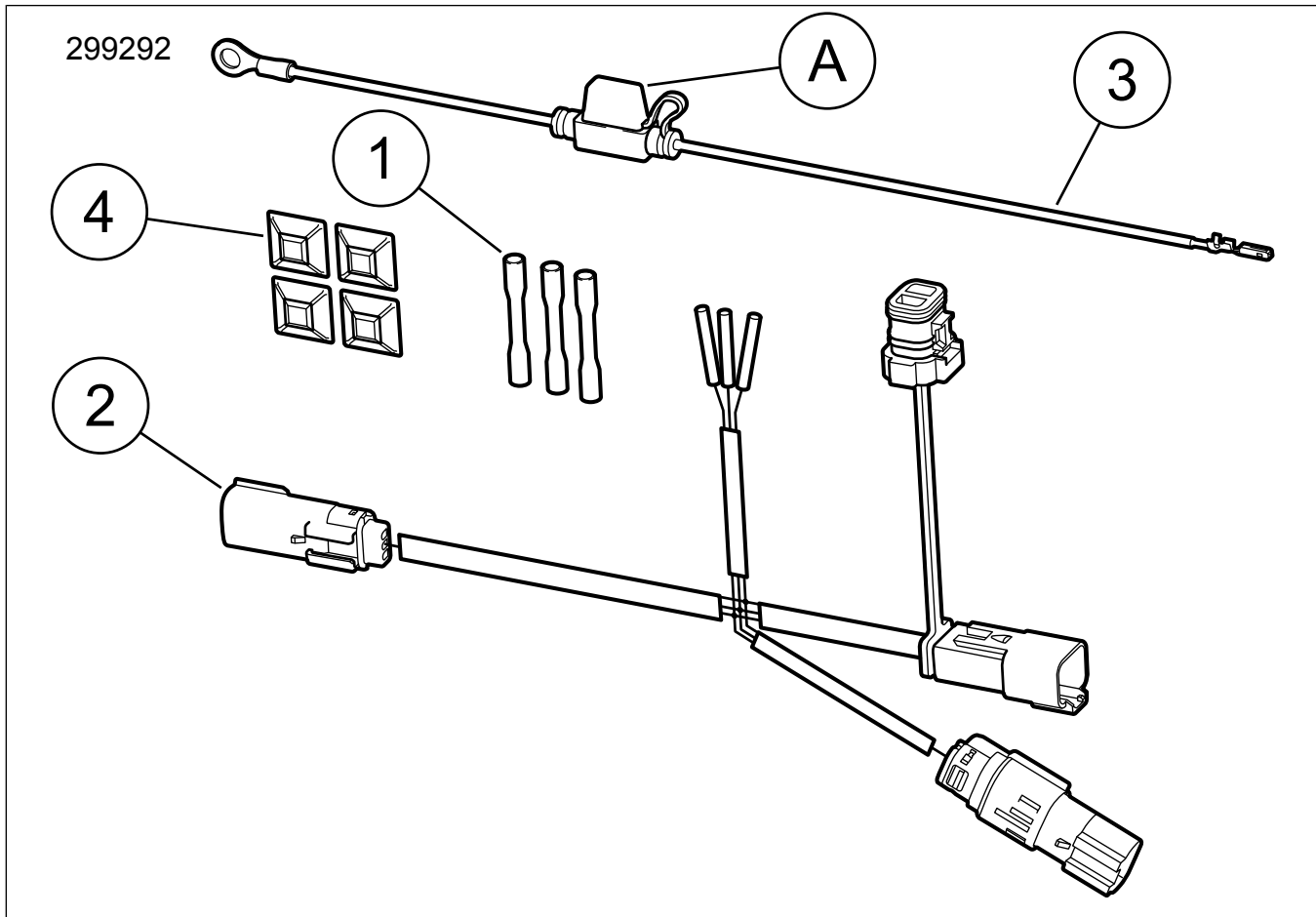


Figure 2. Service Parts, Electrical Connection Harness

Table 1. Service Parts

Item	Description (Quantity)	Part Number
1	Sealed butt splices (3)	70586-93
2	Access connector electrical wire harness	69201600A
3	Fused 1/4 inch ring wire harness	69201526
4	Wire retainer brackets (4)	69200342
5	10A mini fuse (not shown)	72462-00
Items mentioned in text, but not included in kit:		
A	Fuse holder	