



INSTRUCTIONS

J06490

2017-08-22



PIVOT BOLT COVER

GENERAL

Kit Number

61400344, 61400517

Models

For model fitment information, see the P&A Retail Catalog or the Parts and Accessories section of www.harley-davidson.com (English only).

⚠ WARNING

Rider and passenger safety depend upon the correct installation of this kit. Use the appropriate service manual procedures. If the procedure is not within your capabilities or you do not have the correct tools, have a Harley-Davidson dealer perform the installation. Improper installation of this kit could result in death or serious injury. (00333b)

Kit Contents

See Figure 3 and Table 1.

INSTALLATION

Right Side Pivot Bolt Cover Installation (61400517)

1. See Figure 1. Start a set screw (1) from the kit into the right side pivot bolt cover (2) (shorter) about two or three turns.
2. Note the position of the bottom-most flat on the rear fork pivot bolt (3). Line up the pivot bolt cover over the bolt head so the set screw is centered on the hex flat. Tighten the set screw securely to the head of the rear fork pivot bolt.

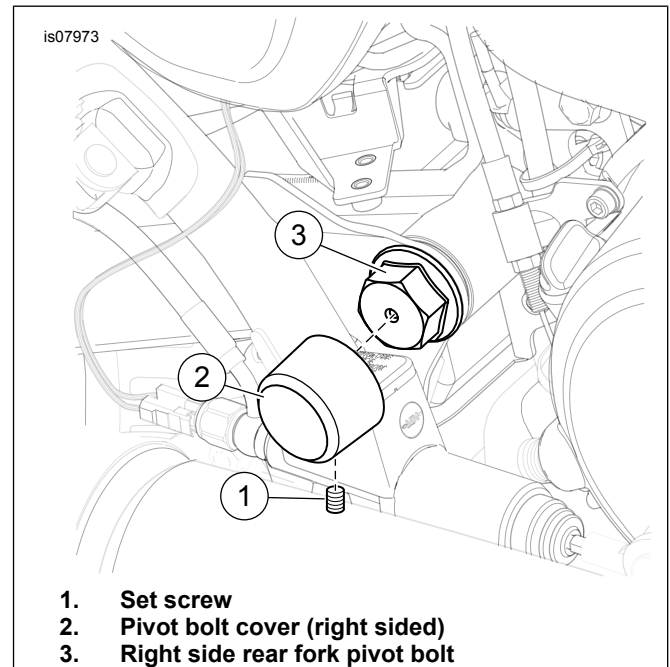


Figure 1. Right Side Pivot Bolt Cover Installation

Left-Side Pivot Bolt Cover Installation (61400344)

1. **XL models only:** Remove the two bolts that hold the brake line bracket and move bracket aside.
2. See Figure 2. Start a set screw (1) from the kit into the pivot bolt cover (2) (longer) about two or three turns.
3. Note the position of the bottom-most flat on the rear fork pivot nut (3). Line up the pivot bolt cover over the bolt head so the set screw is centered on the hex flat. Verify that the washer (4) is centered and the cover fits. If not, refer to the service manual on how to loosen and tighten the pivot bolt. Tighten the set screw securely to the head of the rear fork pivot nut.
4. **XL models only:** Replace the brake line bracket and install the two bolts.

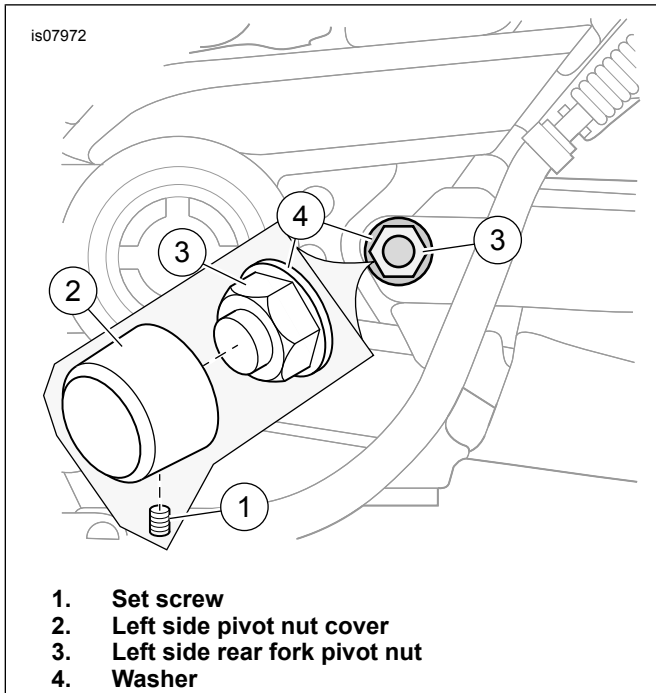


Figure 2. Left side Pivot Nut Cover Installation

CARE AND CLEANING GUIDELINES FOR BRASS PARTS

Cleaning Instructions

1. Verify part is dry and free of dirt or debris.
2. Place a small amount of Harley-Davidson® Chrome Clean & Shine on a microfiber cloth or detailing swab.

SERVICE PARTS

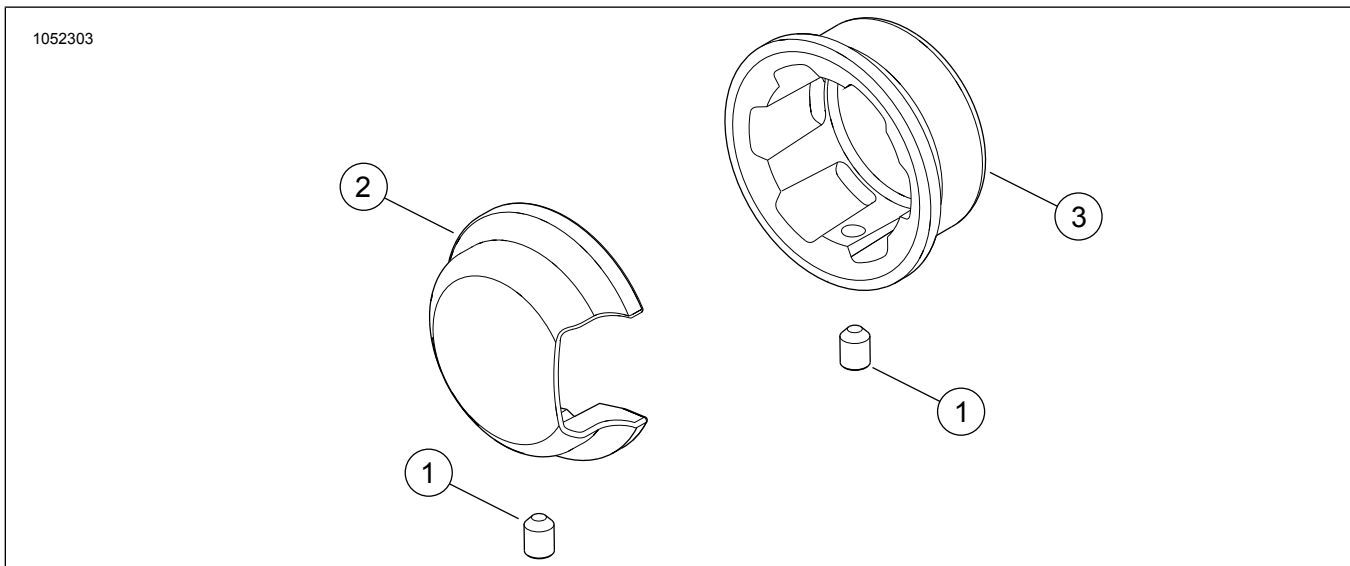


Figure 3. Service Parts:Pivot Bolt Cover Kit

Table 1. Service Parts: Pivot Bolt Cover Kit

Item	Description (Quantity)	Part Number
1	Set screw (2)	3365
2	Cover, pivot bolt, right	Not sold separately
3	Cover, pivot bolt, left	Not sold separately

3. Using light pressure, rub the brass parts with the microfiber cloth. For hard to reach places or grooves, use the detailing swab.

Obtaining a Bright Finish

Brass parts will naturally age and darken with time. If a bright brass finish is preferred, place some Harley-Davidson Bare Metal Polish on a microfiber cloth and lightly rub on the brass parts until they reach the desired brightness.

Slowing the Natural Aging Process

To slow the aging process of the brass parts, place a small amount of Harley-Davidson Glaze Poly Sealant on a microfiber cloth or detailing swab, and lightly rub on the parts until the sealant has soaked in.

Precautions

- Use of non-recommended cleaning, polishing and protective products will result in the removal of the aged finish from the brass parts.
- Prolonged contact with certain items (hands, gloves, boots, dust, etc.) and exposure to the elements will also alter all surface finishes and is NOT considered a defect.
- Avoid cleaning parts with abrasive and aggressive chemicals and abrasive cleaning pads.
- Avoid ammoniated products and bleach.
- Prolonged exposure to water will alter the brass finish. Wipe down parts after contact with water.
- Excess rubbing may lighten the surface appearance of the part.