



INSTRUCTIONS

J06397

2017-08-22



INSTRUMENT GAUGE BEZEL COVER KIT

GENERAL

Kit Numbers

61400435, 61400436, 61400437, 61400438, 61400439, 61400440

Models

For model fitment information, see the P&A retail catalog or the Parts and Accessories section of www.harley-davidson.com (English only).

Kit Contents

Table 1. Kit Contents

Quantity	Description
1	Bezel cover
1	Adhesive tape, double-sided

INSTALLATION

1. Clean the instrument bezel and bezel cover with a mixture of 50-70% isopropyl alcohol and 30-50% distilled water. Allow to dry thoroughly.
2. See Figure 1. Cut the tape (1) into eight 1/2 in. pieces.
3. Remove the paper liner from one side of the tape, and apply the tape to the front face of the gauge, pressing firmly into place. Space all eight pieces equally as shown.
4. Remove the outer liner from the tape.
5. Place the bezel over the gauge, and press firmly into place.

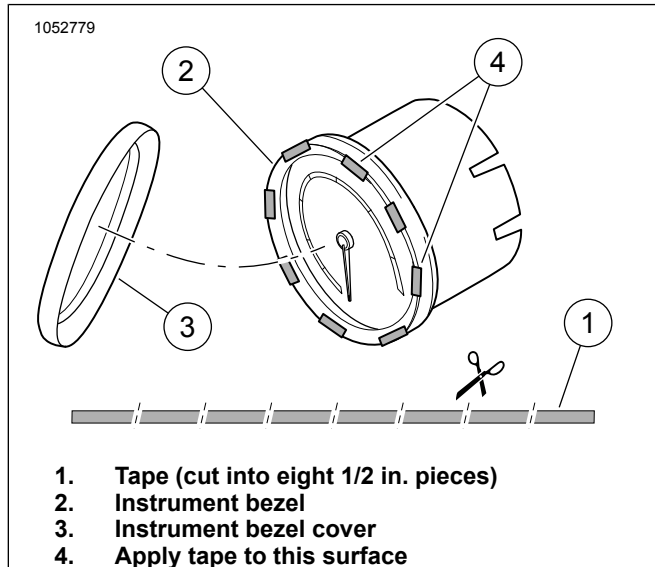


Figure 1. Chrome Instrument Bezel Installation