



INSTRUCTIONS

J06594

2017-08-22



7 INCH HEADLAMP TRIM

GENERAL

Kit Number

61400432, 61400433, and 61400434

Models

For model fitment information, see the P&A retail catalog or the Parts and Accessories section of www.harley-davidson.com (English only).

Kit Contents

See Table 1 and Figure 2.

INSTALLATION

1. Loosen screw from original equipment headlamp trim ring and remove ring. Set mounting ring aside.
2. See See Figure 1. Assemble trim ring (1) over three headlamp mounting tabs (2).
3. Orient trim so clamp feature is at approximately 15 degrees to the right of bottom.
4. Rotate trim so clamp feature (3) is at bottom. Verify trim engages all three tab locations. Tighten.

Torque: 1.3 N·m (12 in-lbs)

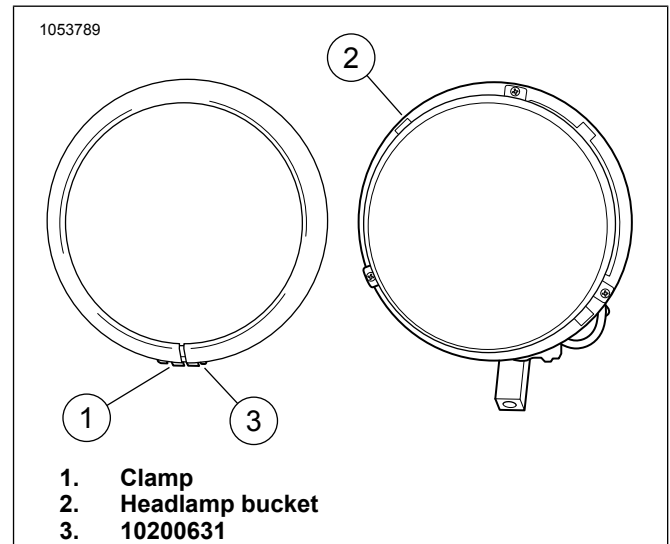


Figure 1. Trim Ring

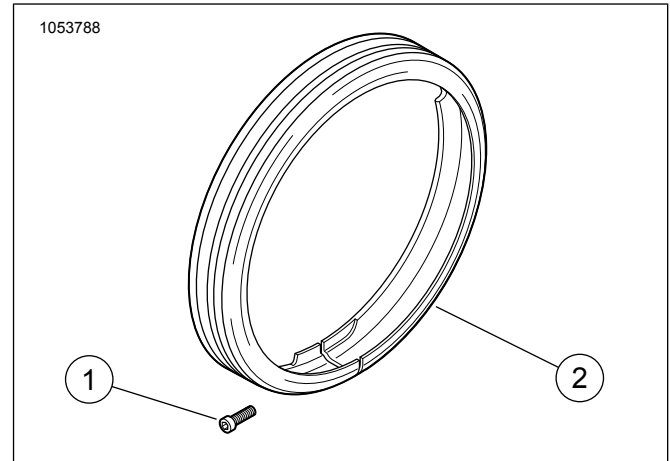


Figure 2. Kit Contents

Table 1. Kit Contents

Item	Description	Part Number
1	Screw	10200631
2	Trim ring	Not Sold Separately

