



INSTRUCTIONS

J06544

2017-08-22



LOWER REAR SUSPENSION KIT

GENERAL

Kit Number

54000143

Models

For model fitment information, see the P&A Retail Catalog or the Parts and Accessories section of www.harley-davidson.com (English only).

Installation Requirements

Certain combinations of lowered suspensions require jiffy stand replacement. See model fitment information for specifics.

This kit requires thread lock for proper installation. LOCTITE 243 MEDIUM STRENGTH THREADLOCKER AND SEALANT (BLUE) (99642-97)

Kit Contents

See Figure 2 and Table 2.

⚠ WARNING

Installation of any accessory suspension components can affect cornering clearance. This could distract the rider, causing loss of control and death or serious injury. (00431b)

⚠ WARNING

Rider and passenger safety depend upon the correct installation of this kit. Use the appropriate service manual procedures. If the procedure is not within your capabilities or you do not have the correct tools, have a Harley-Davidson dealer perform the installation. Improper installation of this kit could result in death or serious injury. (00333b)

NOTE

This instruction sheet references service manual information. A service manual for your model motorcycle is required for this installation. One is available from a Harley-Davidson Dealer.

REMOVE AND INSTALL

1. This kit installs in the same manner as the original equipment (OE) rear shock. See the service manual to remove and install the rear shock.

PRELOAD ADJUSTMENT

Adjust suspension to suit load conditions, riding style and personal comfort. Increase preload to accommodate the total load. Reduce the preload if carrying less weight. Do not exceed maximum GVWR or GAWR when loading.

See Figure 1. Rotate the adjustment knob clockwise to increase preload setting, or counterclockwise to decrease preload setting until the indicator shows the appropriate preload setting.

See Table 1 for **new** preload settings.

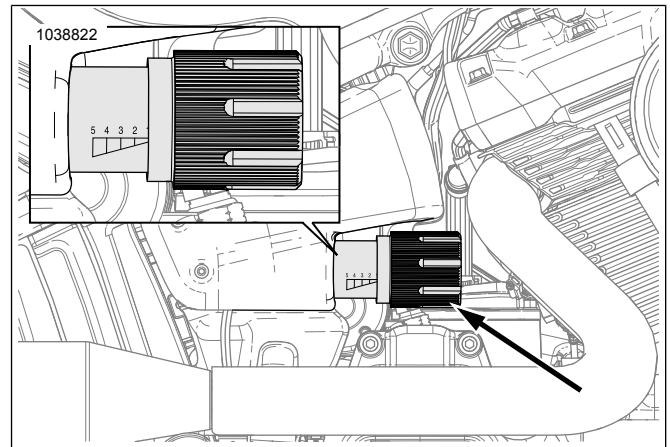


Figure 1. Preload Adjustment Knob

Table 1. Preload Setting

		Rear Preload Setting									
		Additional Weight of Passenger, Cargo and Added Accessories									
	Weight	0	9 kg 20 lb	18 kg 40 lb	27 kg 60 lb	36.5 kg 80 lb	45.5 kg 100 lb	54.5 kg 120 lb	63.5 kg 140 lb	72.5 kg 160 lb	81.5 kg 180 lb
Rider Weight	72.5 kg (160 lb)	0	0	0	0.5	1	1.5	2	2.5	3	3.5
	81.5 kg (180 lb)	0	0	0.5	1	1.5	2	2.5	3	3.5	
	90.5 kg (200 lb)	0	0.5	1	1	1.5	2	2.5	3	3.5	4
	100 kg (220 lb)	0	0.5	1	1.5	2	2.5	3	3.5	4	-
	109 kg (240 lb)	0.5	1	1.5	2	2.5	3	3.5	-	-	-
	118 kg (260 lb)	1	1.5	2	2.5	-	-	-	-	-	-
	127 kg (280 lb)	1	1.5	-	-	-	-	-	-	-	-
136 kg (300 lb)	-	-	-	-	-	-	-	-	-	-	

SERVICE PARTS

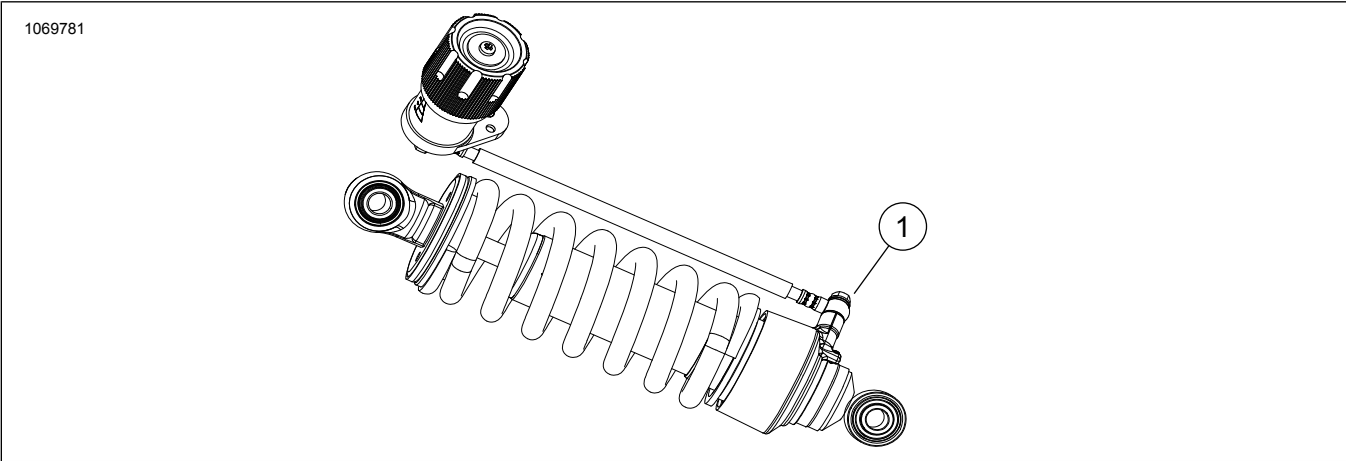


Figure 2. Service Parts: Rear Shock Absorber Kit

Table 2. Service Parts: Rear Shock Absorber Kit

Item	Description (Quantity)	Part Number
1	Rear shock assembly	Not sold separately