



INSTRUCTIONS

J06454

2021-09-29



SCREAMIN' EAGLE STREET CANNON SLIP-ON MUFFLER KITS

GENERAL

Kit Numbers

64900636, 64900638, 64900690, 64900691, 64901192, 64901193

Models

For model fitment information, see the P&A retail catalog or the Parts and Accessories section of www.harley-davidson.com (English only).

Installation Requirements

Proper installation of these kits requires the separate purchase of two muffler clamps (A: Part No. 65900012) and two gaskets (B: Part No. 65900017). See Figure 2.

Kits 64901192, 64901193 requires additional O2 gaskets (Part No. 11936) purchased separately.

These kits requires Loctite® 242 Thread Sealant for proper installation.

All models require ECM calibration with Screamin' Eagle Pro Street Tuner for proper installation.

⚠ WARNING

Rider and passenger safety depend upon the correct installation of this kit. Use the appropriate service manual procedures. If the procedure is not within your capabilities or you do not have the correct tools, have a Harley-Davidson dealer perform the installation. Improper installation of this kit could result in death or serious injury. (00333b)

NOTE

This instruction sheet refers to service manual information. A service manual for your year/model motorcycle is required for this installation. One is available from a Harley-Davidson dealer.

Kit Contents

See Figure 3 and Table 1.

Product Information

Noise Emission Warranty

Harley-Davidson warrants that these mufflers, at the time of sale, meet all applicable noise and emissions standards. This warranty extends to the original purchaser for purposes other than resale, and to all subsequent buyers. Direct warranty claims to an authorized Harley-Davidson dealer.

Tampering Prohibition

Regulations prohibit any modifications to this exhaust system which cause the motorcycle to exceed noise standards. Use of a motorcycle with such a modified exhaust system is also prohibited.

NOTE

To avoid penalties under state and local ordinances, repair or replace this product if motorcycle noise increases significantly through use.

PREPARATION

⚠ WARNING

To prevent accidental vehicle start-up, which could cause death or serious injury, remove main fuse before proceeding. (00251b)

NOTE

- **WITH security siren:** With security fob present, turn ignition switch ON. See the service manual. Disarm security system. Turn ignition switch OFF. **IMMEDIATELY** remove the main fuse.
- **WITHOUT security siren:** See the service manual. Remove main fuse.

INSTALLATION

NOTE

Disassemble exhaust system components when the engine is cool. Working on or near the exhaust system when the engine is hot could result in severe burns.

1. Open exhaust shield clamps. Remove original equipment (OE) muffler shields. Note the position of the clamps and save for installation.
2. **Kits 64901192, 649001193:** Remove O2 sensors from Original Equipment (OE) mufflers. See service manual.
3. Remove screws and washers that attach the muffler to the support bar.
4. Loosen muffler clamps and remove OE mufflers. Discard mufflers, gaskets and clamps. Install new exhaust gaskets and muffler clamps (sold separately) onto mufflers. Do not tighten clamps now.
5. Install the mufflers to the exhaust pipes. Do not fully tighten the muffler clamps now.

NOTE

The mufflers are position specific on some models. Install the mufflers with the rivets facing towards the tire. Also,



confirm the front and rear muffler part number, and verify muffler rotation by comparing the end cap screw orientation of the two mufflers.

6. Apply Loctite 242 threadlocker to the muffler mounting screws and install the muffler mounting screws. Tighten
Torque: 13.6–16.3 N·m (10–12 ft-lbs)
7. **Kits 64901192, 649001193:** Install **new** gaskets (11936) onto O2 sensors previously removed into **new** muffler.
Torque: 16–19 N·m (12–14 ft-lbs)

8. Align the clamps. Tighten.
Torque: 51.2–58.3 N·m (38–43 ft-lbs)

NOTICE

Wipe all fingerprints off of exhaust system components after installation and before starting engine. Oil from hands can leave permanent marks on exhaust system finish. (00346a)

9. Install the OE muffler shields band clamps. Tighten.
Torque: 2.3–4.6 N·m (20–41 in-lbs)

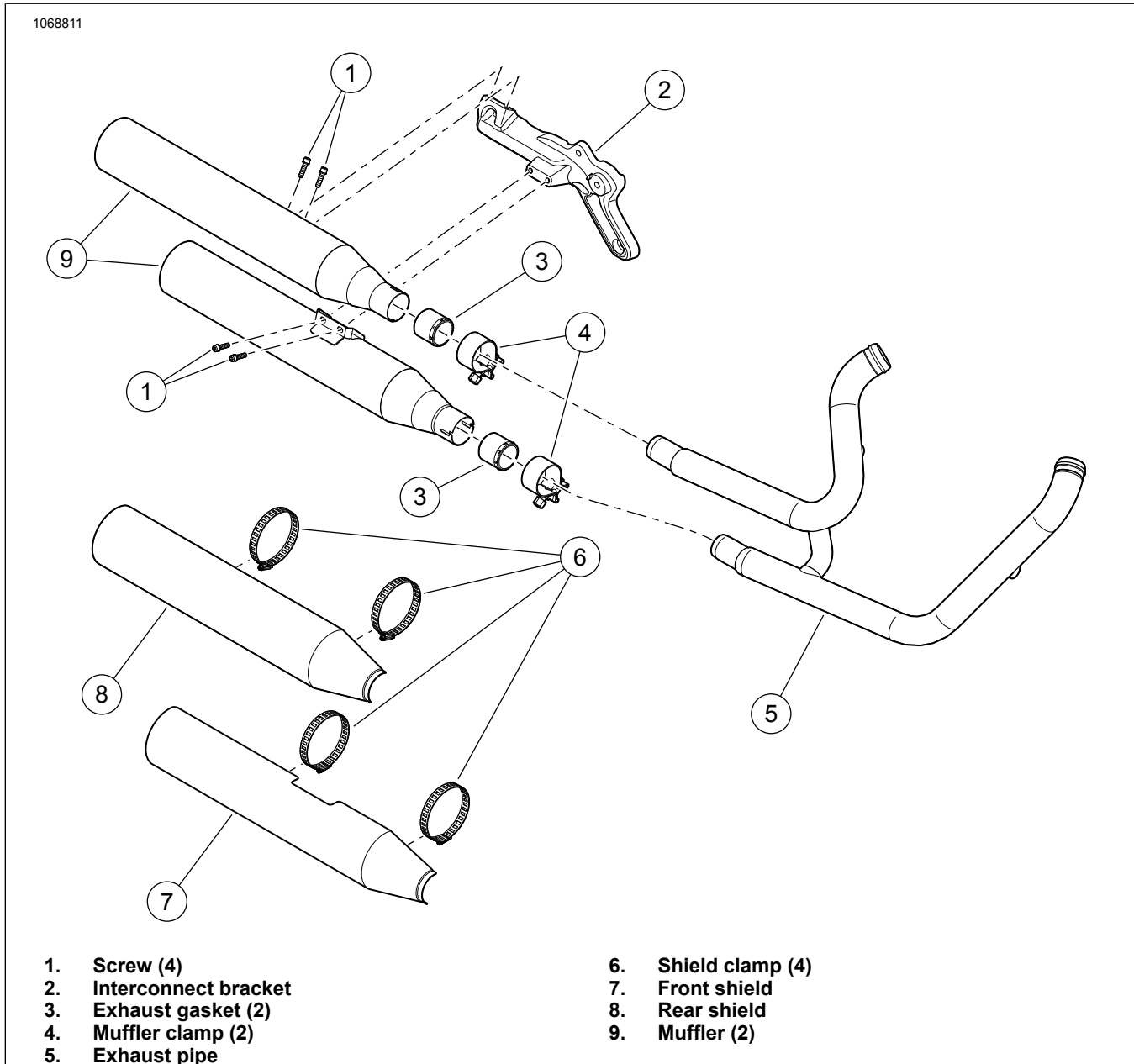
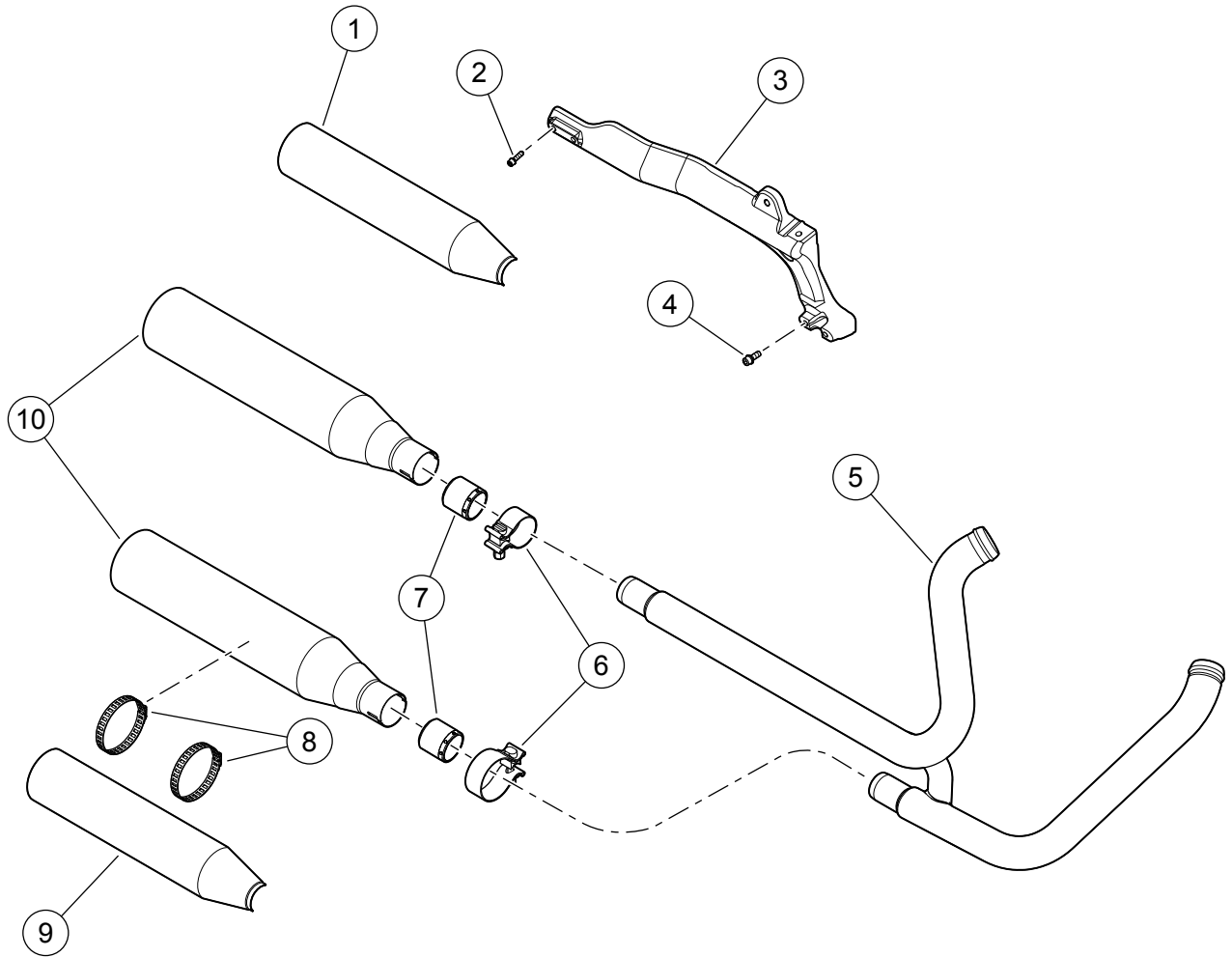


Figure 1. Slip-On Muffler Installation



- | | |
|-------------------------------|-----------------------|
| 1. Rear shield | 6. Muffler clamp (2) |
| 2. Interconnect bracket screw | 7. Exhaust gasket (2) |
| 3. Interconnect bracket | 8. Shield clamp (4) |
| 4. Interconnect bracket screw | 9. Front shield |
| 5. Exhaust pipe | 10. Muffler (2) |

Figure 2. Slip-On Muffler Installation

SERVICE PARTS

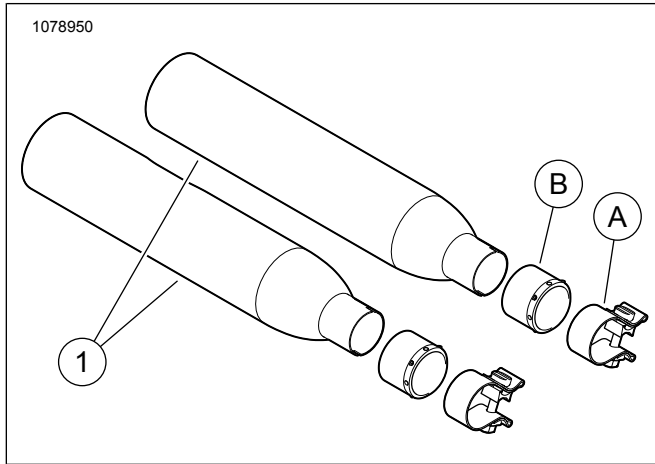


Figure 3. Service Parts: Slip-on Muffler Kits

Table 1. Service Parts

Item	Description (Quantity)	Part Number
1	Domestic shorty dual muffler kit	64900636
	HDI shorty dual muffler kit	64900638
	Domestic shotgun dual muffler kit	64900690
	HDI shotgun dual muffler kit	64900691
	Muffler, short, chrome (2)	64901196
	Muffler, long, top, chrome	64901197
	Muffler, long, bottom, chrome	64901198
Items mentioned in text, but not included in kit.		
A	Clamp, muffler (2)	65900012
B	Gasket, exhaust (2)	65900017