



INSTRUCTIONS

J04530

2017-08-22



FOOTPEGS WITH WEAR TIP

GENERAL

Kit Number

50039-10, 50500025, 50500030, 50500035, 50500262, 50695-08, 50500441, 50500482, 50500791

Models

For model fitment information, see the P&A Retail Catalog or the Parts and Accessories section of www.harley-davidson.com (English only).

Installation Requirements

Loctite® 243 Threadlocker and Sealant - Blue (Part No. 99642-97) to install replacement wear tips.

⚠ WARNING

Rider and passenger safety depend upon the correct installation of this kit. Use the appropriate service manual procedures. If the procedure is not within your capabilities or you do not have the correct tools, have a Harley-Davidson dealer perform the installation. Improper installation of this kit could result in death or serious injury. (00333b)

NOTE

This instruction sheet references service manual information. A service manual for your model motorcycle is required for this installation and is available from a Harley-Davidson dealer.

Kit Contents

See Figure 3 and Table 1.

REMOVAL

1. See Figure 1. Remove retaining ring (5), spring washer (4) and clevis pin to remove footpeg (1).

INSTALLATION

⚠ WARNING

Footrests must fold up and toward rear of motorcycle if struck. Failure to set footrests to fold up and back could result in death or serious injury. (00366a)

NOTE

Slipstream peg kits: Wear tip should face toward the rear of the vehicle when installed (see last page for pictorials).

Slipstream peg kits: On the following models **ONLY**, the wear tip may be removed from Slipstream so the peg can be mounted for passenger and/or highway peg use:

- Sportster® models: 2004 and later models
- Dyna® models: 2006 and later models

- VRSC™ models: 2007 and later models
- Softail® and Touring models: All models
- Models with Highway Pegs: All models (does not fit with Whiskers adjustable Highway Peg Bar Part Number: 50855-09, 50865-09).

1. See Figure 2. Install footpeg to clevis and insert spring washer (flat side toward clevis), clevis pin and retaining ring. Wear tip must point down.
2. If the footpeg is secured by a screw and nut, refer to the appropriate service manual for torque specifications.

Wear Tip Replacement

NOTE

Refer to the service manual for the wear tip orientation.

1. Remove existing wear tip from footpeg.
2. Apply 2 or 3 drops of Loctite 243 Threadlocker and Sealant (Blue) to the threads of the new wear tip and install to the footpeg.
3. Tighten wear tip.
 - a. For Kits 50039-10, 50695-08, 50500262: 8.1–12.2 N·m (6–9 ft-lbs)
 - b. For Kits 50500025, 50500030, 50500035, 50500441: 19–21.7 N·m (14–16 ft-lbs)
 - c. For Kits 50500482, 50500791: 13.6–14.9 N·m (10–11 ft-lbs)

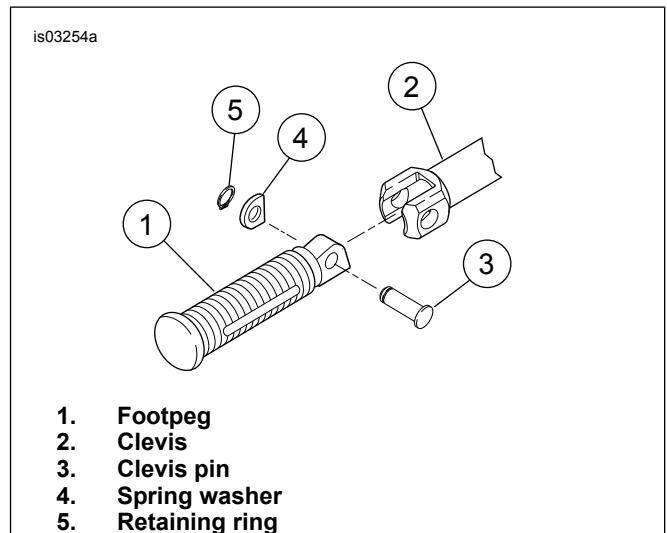


Figure 1. Footpeg Removal/Install (generic footpeg shown)



Figure 2. Correct installation (generic footpeg and wear tip)

CARE AND CLEANING GUIDELINES FOR BRASS PARTS

Cleaning Instructions

1. Verify part is dry and free of dirt or debris.
2. Place a small amount of Harley-Davidson® Chrome Clean & Shine on a microfiber cloth or detailing swab.
3. Using light pressure, rub the brass parts with the microfiber cloth. For hard to reach places or grooves, use the detailing swab.

Obtaining a Bright Finish

Brass parts will naturally age and darken with time. If a bright brass finish is preferred, place some Harley-Davidson Bare Metal Polish on a microfiber cloth and lightly rub on the brass parts until they reach the desired brightness.

Slowing the Natural Aging Process

To slow the aging process of the brass parts, place a small amount of Harley-Davidson Glaze Poly Sealant on a microfiber cloth or detailing swab, and lightly rub on the parts until the sealant has soaked in.

Precautions

- Use of non-recommended cleaning, polishing and protective products will result in the removal of the aged finish from the brass parts.
- Prolonged contact with certain items (hands, gloves, boots, dust, etc.) and exposure to the elements will also alter all surface finishes and is NOT considered a defect.
- Avoid cleaning parts with abrasive and aggressive chemicals and abrasive cleaning pads.
- Avoid ammoniated products and bleach.
- Prolonged exposure to water will alter the brass finish. Wipe down parts after contact with water.
- Excess rubbing may lighten the surface appearance of the part.

SERVICE PARTS

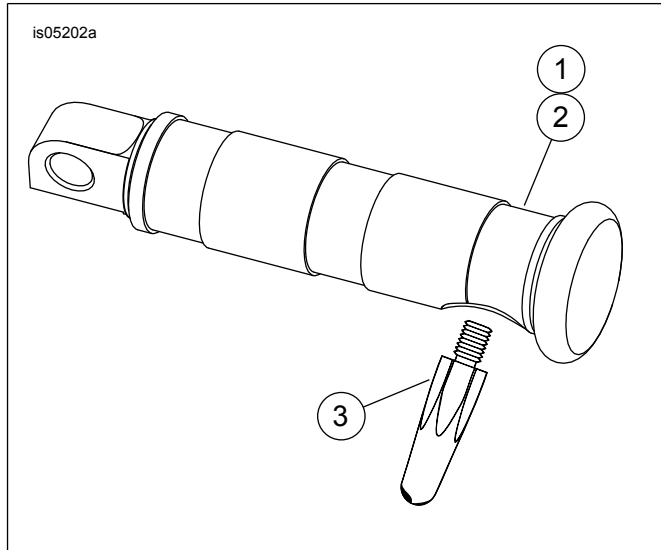


Figure 3. Service Parts: Footpegs and Wear Tip (Kit 50695-08 shown)

Table 1. Service Parts

Item	Description (Quantity)	Part Number
1	Footpeg assembly, billet, right (For kit 50695-08)	50696-08
	Footpeg assembly, billet, right (For kit 50039-10)	50068-10
	Footpeg assembly, right (For kit 50500025, 50500030, 50500035, 50500262, 50500441, 50500482, 50500791)	Not Sold Separately
2	Footpeg assembly, billet, left (For kit 50695-08)	50750-08
	Footpeg assembly, billet, left (For kit 50039-10)	50097-10
	Footpeg assembly, left (For kit 50500025, 50500030, 50500035, 50500262, 50500441, 50500482, 50500791)	Not Sold Separately
3	Wear tip (Buell part number) (Kit 50695-08 and 50500262 only)	C0255.02A8
	Wear tip (Kit 50039-10 only)	50891-10
	Wear tip (Kit 50500025 only)	50500022
	Wear tip (Kit 50500030 only)	50500023
	Wear tip (Kit 50500035 only)	50500024
	Wear tip (Kits 50500482, 50500791)	50500438 50500788
4	Retaining ring (Not Shown) (Kits 50695-08, 50500030, 50500035)	11308