



INSTRUCTIONS

J06541

2017-08-22



BLACK NACELLE KIT

GENERAL

Kit Numbers

61300875

Models

For model fitment information, see the P&A retail catalog or the Parts and Accessories section of www.harley-davidson.com (English only).

▲ WARNING

Rider and passenger safety depend upon the correct installation of this kit. Use the appropriate service manual procedures. If the procedure is not within your capabilities or you do not have the correct tools, have a Harley-Davidson dealer perform the installation. Improper installation of this kit could result in death or serious injury. (00333b)

NOTE

This instruction sheet references service manual information. A service manual for this year/model motorcycle is required for this installation. One is available from a Harley-Davidson dealer.

Kit Contents

See Figure 1 and Table 1.

PREPARE

▲ WARNING

To prevent accidental vehicle start-up, which could cause death or serious injury, remove main fuse before proceeding. (00251b)

1. Remove main fuse. See the service manual.

REMOVE AND INSTALL

1. This kit installs in the same manner as the original equipment (OE) headlamp nacelle. See the service manual to remove and install the headlamp nacelle.

COMPLETE

1. Install main fuse. See the service manual.



SERVICE PARTS

1066824

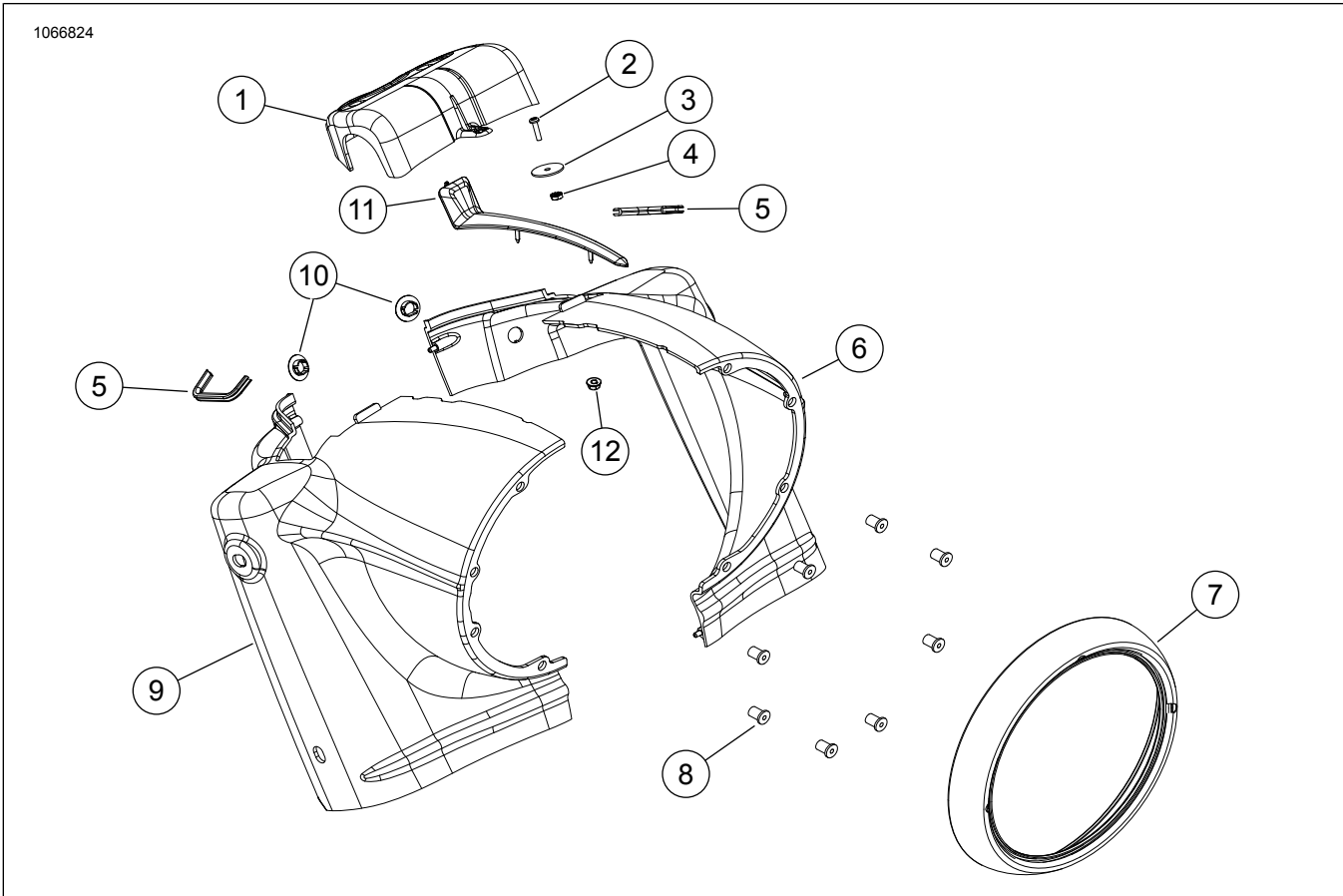


Figure 1. Service Parts, Black Nacelle Kit

SERVICE PARTS

Table 1. Service Parts: Black Nacelle Kit

Item	Description (Quantity)	Part Number
1	Handlebar clamp cover	55800761
2	Screw	3225
3	Washer	6789
4	Nut	7889
5	Trim (2)	67700105
6	Left nacelle	61300097
7	Bezel	No Sold Separately
8	Well nut (8)	5210
9	Right nacelle	61300098
10	Plug (2)	71455-11
11	Trim, deco	61400498
12	Nut	7888A