



# INSTRUCTIONS

J01758

2017-08-22



## BILLET STYLE BRAKE PEDAL PAD KIT

### GENERAL

#### Kit Number

42620-00, 42623-00, 46718-08, 41449-10 (large pedal kits)

42626-00, 42629-00, 41850-08, 42847-10, 50600169 (small pedal kits)

#### NOTE

*Black Brake Pedal Pads 46718-08 and 41850-08 are designed to show signs of wear. Over time the paint will wear off giving a distressed look.*

#### Models

For model fitment information, see the P&A Retail Catalog or the Parts and Accessories section of [www.harley-davidson.com](http://www.harley-davidson.com) (English only).

#### Kit Contents

See Figure 1 and Table 1.

### INSTALLATION

1. Remove the previously installed brake pedal cover from the foot brake lever.

#### NOTE

*Rubber rings do not need to be removed from the pedal pad.*

2. See Figure 1. Align and slide the new brake pedal pad over the end of the foot brake lever, fitting the rings around both the pad and brake lever end.
3. Assemble the plain washer and screw, and thread the screw through the hole in the brake lever and into the back of the pad.
  - On large pedal kits, tighten the hex head cap screw to 26 N·m (19 ft-lbs).
  - On small pedal kits, tighten the hex socket head screw to 2.5 N·m (33 in-lbs).

### CARE AND CLEANING GUIDELINES FOR BRASS PARTS

#### Cleaning Instructions

1. Verify part is dry and free of dirt or debris.
2. Place a small amount of Harley-Davidson® Chrome Clean & Shine on a microfiber cloth or detailing swab.
3. Using light pressure, rub the brass parts with the microfiber cloth. For hard to reach places or grooves, use the detailing swab.

#### Obtaining a Bright Finish

Brass parts will naturally age and darken with time. If a bright brass finish is preferred, place some Harley-Davidson Bare Metal Polish on a microfiber cloth and lightly rub on the brass parts until they reach the desired brightness.

#### Slowing the Natural Aging Process

To slow the aging process of the brass parts, place a small amount of Harley-Davidson Glaze Poly Sealant on a microfiber cloth or detailing swab, and lightly rub on the parts until the sealant has soaked in.

#### Precautions

- Use of non-recommended cleaning, polishing and protective products will result in the removal of the aged finish from the brass parts.
- Prolonged contact with certain items (hands, gloves, boots, dust, etc.) and exposure to the elements will also alter all surface finishes and is NOT considered a defect.
- Avoid cleaning parts with abrasive and aggressive chemicals and abrasive cleaning pads.
- Avoid ammoniated products and bleach.
- Prolonged exposure to water will alter the brass finish. Wipe down parts after contact with water.
- Excess rubbing may lighten the surface appearance of the part.

### SERVICE PARTS

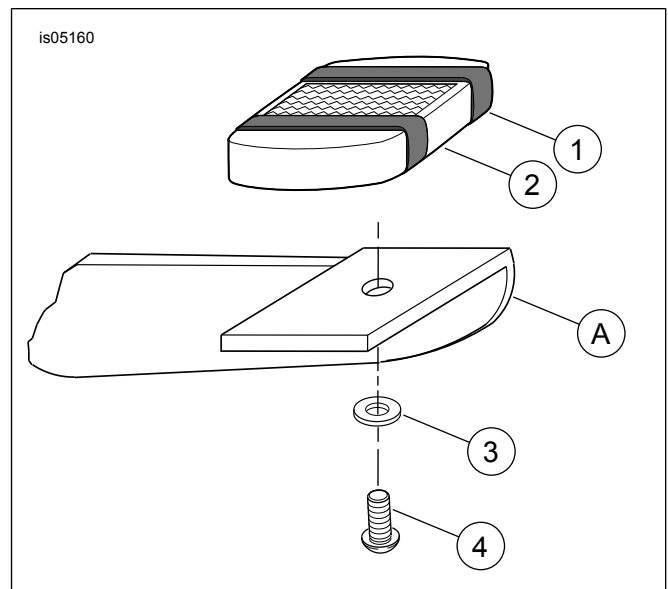


Figure 1. Service Parts: Billet Style Brake Pedal Pads



**Table 1. Service Parts Table**

| <b>Kit</b>   | <b>Item</b> | <b>Description (Quantity)</b>  | <b>Part Number</b>   |
|--|-------------|--|--|
| Kit 42620-00   | 1           | Rubber ring, 1/2 in., (3)  | 11536  |
|  | 2           | Brake pedal pad, large, wide band  | Not Sold Separately  |
|  | 3           | Plain washer 5/16 in.  | 6333   |
|  | 4           | Button head screw, 5/16-18 x 1/2 in.   | 3340   |
| Kit 42623-00<br>Kit 42623-08<br>Kit 41449-10                 | 1           | Rubber ring, 3/16 in. (4)  | 11537  |
|  | 2           | Brake pedal pad, chrome (kit 42623-00)<br>Brake pedal pad, black (kit 42623-08)<br>Brake pedal pad, black (Kit 41449-10)   | Not Sold Separately<br>Not Sold Separately<br>Not Sold Separately                        |
|  | 3           | Plain washer, 5/16 in.   | 6333   |
|  | 4           | Button head screw, 5/16-18 x 1/2 in.   | 3340   |
| Kit 42626-00   | 1           | Rubber ring, 1/2 in., (2)  | 11538  |
|  | 2           | Brake pedal pad, small, narrow band  | Not Sold Separately  |
|  | 3           | Plain washer #10   | 6716   |
|  | 4           | Hex socket screw, #10-32 X 1/2 in.   | 3026   |
| Kit 42629-00<br>Kit 41850-08<br>Kit 42847-10<br>Kit 50600169 | 1           | Rubber ring, 3/16 in. (2)  | 11539  |
|  | 2           | Brake pedal pad, small, narrow band (kit 42629-00)<br>Brake pedal pad, black (kit 41850-08)<br>Brake pedal pad, black (kit 42847-10)<br>Brake pedal pad, small, brass (kit 50600169) | Not Sold Separately<br>Not Sold Separately<br>Not Sold Separately<br>Not Sold Separately |
|  | 3           | Plain washer, #10  | 6716   |
|  | 4           | Hex socket screw, #10-32 X 1/2 in.<br>Button head screw, Torx (kit 50600169)   | 3026<br>10200052   |
| <b>Items mentioned in text, but not included in kit:</b>     |             |  |  |
|  | A           | Foot brake lever   |  |