



INSTRUCTIONS

J03646

2018-01-16



DERBY COVER KIT

GENERAL

Kit Number

25331-10, 25334-99A, 25335-99A, 25336-06, 25338-99A, 25339-10, 25340-99A, 25347-02A, 25372-02A, 25441-04A, 25713-99A, 25700062, 25700256, 25700258, 25700504, 25700742, 61400085, 61400086, 61400087, 61400088, 61400089

Models

For model fitment information, see the P&A Retail Catalog or the Parts and Accessories section of www.harley-davidson.com (English only).

Additional Parts Required

NOTE

Harley-Davidson recommends that the clutch inspection cover gasket (Part No. 25416-99C - sold separately) be replaced when installing this kit. This gasket is available from a Harley-Davidson dealer.

⚠ WARNING

Rider and passenger safety depend upon the correct installation of this kit. Use the appropriate service manual procedures. If the procedure is not within your capabilities or you do not have the correct tools, have a Harley-Davidson dealer perform the installation. Improper installation of this kit could result in death or serious injury. (00333b)

NOTE

This instruction sheet references service manual information. A service manual for your model motorcycle is required for this installation and is available from a Harley-Davidson Dealer.

Kit Contents

See Figure 1 and Table 1.

INSTALLATION

NOTE

Remove clutch inspection (derby) cover with motorcycle upright, not on sidestand. If cover is removed with motorcycle on sidestand, primary fluid will leak out of primary chaincase.

See the service manual to perform the following procedure.

1. On models so equipped, remove the **left side** passenger footboard.
2. Remove the derby cover from the primary chaincase. Discard the derby cover and fasteners.

NOTE

The gasket between the clutch inspection cover and the chaincase cover must be removed and all oil must be wiped from the gasket and groove in chaincase cover each time the cover is removed.

3. Remove the gasket from the groove in the chaincase cover and mounting surface.
4. Inspect gasket for tears or damage. Replace as required with gasket 25416-99C (sold separately).

NOTE

If installing the Derby cover on a 2006 and later Dyna, 2007 and later Softail, or 2007 and later Touring model, the original equipment gasket **must** be discarded and replaced with Derby Cover Gasket 25416-99C (sold separately).

5. Install the clutch inspection cover (derby cover).
6. On models so equipped, install the **left side** passenger footboard.

SERVICE PARTS

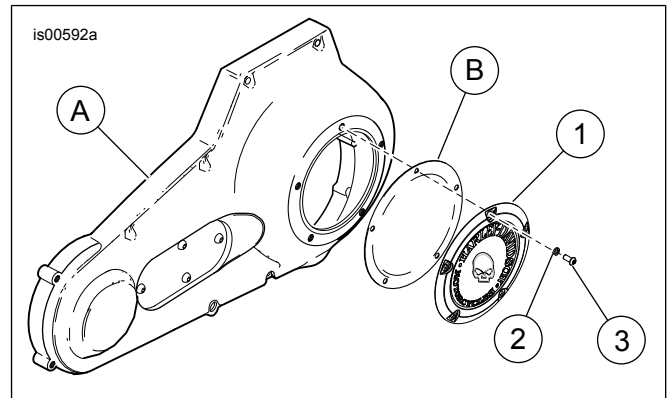


Figure 1. Service Parts: Derby Cover Kits

Table 1. Service Parts Table

Item	Description (Quantity)	Part Number
1	Derby cover	Not Sold Separately
2	For All Kits Except 25700742	
	Washer, 1/4 in. stainless steel (5)	9600
3	For Kit 25700742	
	Washer, 1/4in. black oxide (5)	10300103
	For All Kits Except 25700742	
3	Screw, Torx, chrome (5)	9461
	For Kit 25700742	
3	Screw, Torx, black oxide (5)	10200436
	Items not included in kit:	
A	Original equipment primary chaincase cover	
B	Clutch inspection cover gasket, part number 25416-99C	