



# INSTRUCTIONS

J05774

2018-01-16



## AIR CLEANER COVER INSERT

### GENERAL

#### Kit Numbers

29400339, 61300217, 61300218, 61300223, 61300224, 61300254, 61300542

#### Models

For model fitment information, see the P&A Retail Catalog or the Parts and Accessories section of [www.harley-davidson.com](http://www.harley-davidson.com) (English only).

#### Additional Parts Required

Separate purchase of LOCTITE® 243 MEDIUM STRENGTH THREADLOCKER AND SEALANT (blue) (part no. 99642-97) or equivalent is required for proper installation of this kit.

#### Kit Contents

See Figure 1 and Table 1.

### PREPARATION

1. See Figure 1. Remove original equipment (OE) insert (A or B) from the air cleaner cover.
  - a. **Style "A"**: Pull on front edge of trim to release 3M™ Dual Lock™ Reclosable Fastener. Do not remove fastener from the air cleaner cover.
  - b. **Style "B"**: Push a thin-blade putty knife between trim and air cleaner cover while pulling trim away from cover. Remove all tape and adhesive residue from the air cleaner cover.
2. Remove screw (C). Air cleaner cover (E) and seal (F) do not require removal.

### INSTALLATION

1. **Style "A"**: The original Dual Lock fastener on the air cleaner cover is compatible with the new components.
2. **Style "B"**:
  - a. See Figure 1. Thoroughly clean area (D) with a 50:50 mix of rubbing alcohol and water. Allow to dry completely.
  - b. Leave Dual Lock fastener halves attached. Remove tape protecting adhesive.
  - c. Visually align trim plate (3) with cover and press firmly in fastener area (D) to secure. Hold for 30 seconds.
  - d. Remove trim plate.

3. Apply LOCTITE 243 MEDIUM STRENGTH THREADLOCKER AND SEALANT (blue) to threads of screw (C).

#### NOTE

Verify that seal (F) has not become dislodged.

4. Install trim plate (3) and gasket (4) with original screw (C). Tighten screw. Press firmly in area of Dual Lock fastener (D) to secure.

Torque: 4.1–6.8 N·m (36–60 in-lbs) Air cleaner cover screw

5. Install the decorative insert (2) with screws (1). Tighten securely.

### SERVICE PARTS

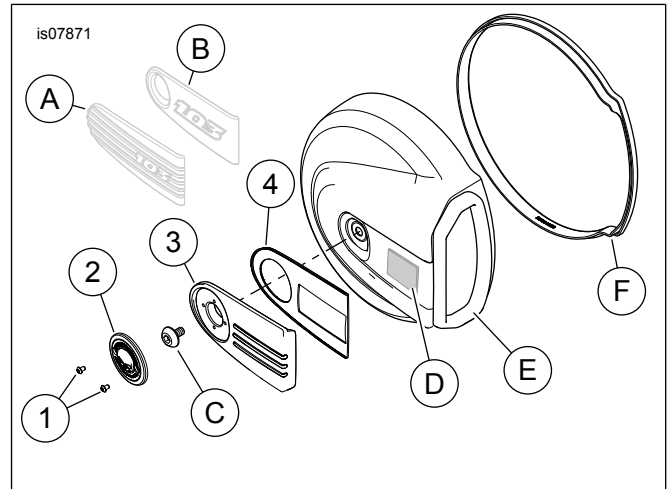


Figure 1. Service Parts: Air Cleaner Trim Kit

Table 1. Service Parts: Air Cleaner Trim Kit

Item	Description (Quantity)	Part Number
1	Screw, #8-36, Torx (2) (for All Kits Except 29400339)	10500039
	Screw, #8-36, Torx, black oxide (2) (For Kit 29400339)	10200552
2	Decorative insert	Not sold separately
3	Trim plate	Not sold separately
4	Gasket	Not sold separately
<b>Items mentioned in text but not provided.</b>		
A	Original trim retained with Dual Lock fastener	
B	Original trim retained with double-sided tape	
C	Screw	
D	Dual Lock fastener	
E	Air cleaner cover assembly	
F	Seal	

