



INSTRUCTIONS

J05907

2018-01-16



AIR CLEANER COVER TRIM KIT

GENERAL

Kit Numbers

29400343, 61300227, 61300228, 61300229, 61300520

Models

For model fitment information, see the P&A retail catalog or the Parts and Accessories section of www.harley-davidson.com (English only).

Kit Contents

See Figure 3 and Table 1.

REMOVAL

⚠ WARNING

To prevent accidental vehicle start-up, which could cause death or serious injury, remove main fuse before proceeding. (00251b)

1. See the owner's manual. Remove main fuse.

NOTE

The original equipment (OE) cover trim is held in place with adhesive. Avoid damaging air cleaner cover during removal.

2. See Figure 1. Carefully pry off existing cover trim (2). Clean any residual adhesive from the air cleaner cover (3).
3. Remove air cleaner cover screw (1). Retain screw for installation.

INSTALLATION

1. See Figure 2. Secure bracket (4) and air cleaner cover (5) with cover screw (3) removed earlier. Align one bracket spoke at the 12 o'clock position. Tighten screw.
Torque: 6–8 N·m (53–71 in-lbs) Hex socket screw
2. Install cover trim (2) with five screws (1). Tighten screws.
Torque: 3.4–4.2 N·m (30–37 in-lbs) Hex socket screw
3. See the owner's manual. Install main fuse.

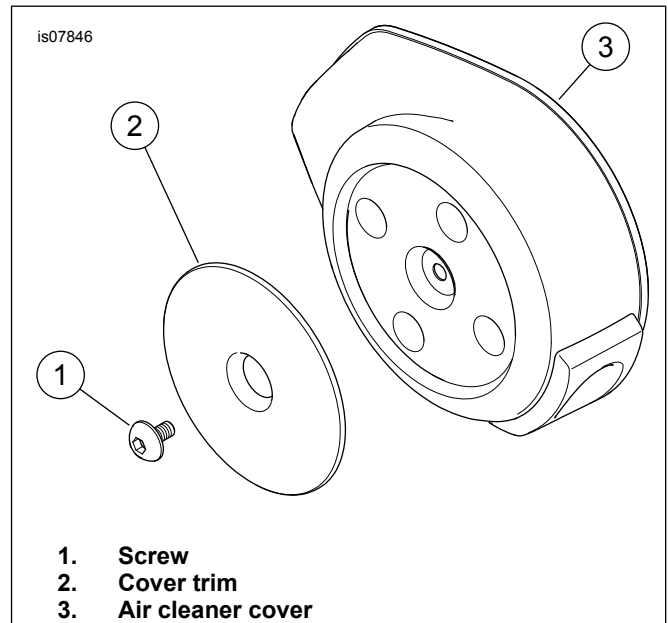


Figure 1. Remove OE Trim

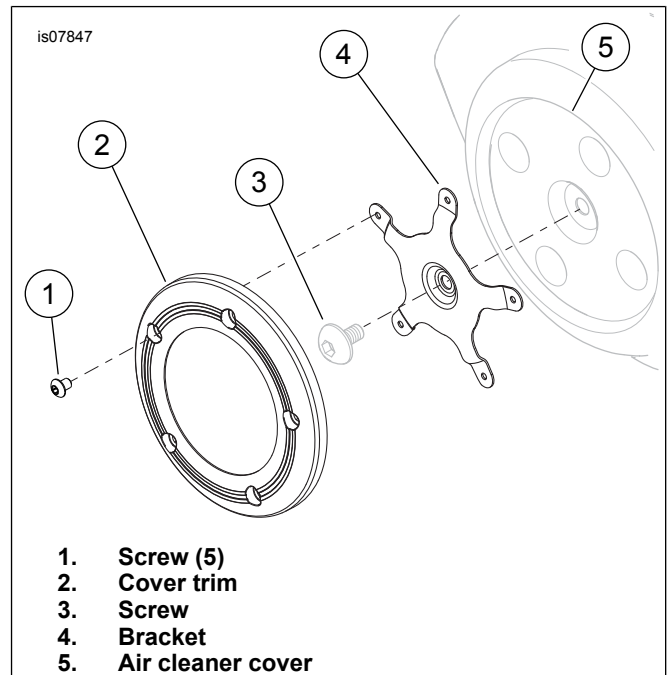


Figure 2. Install Cover Kit

SERVICE PARTS

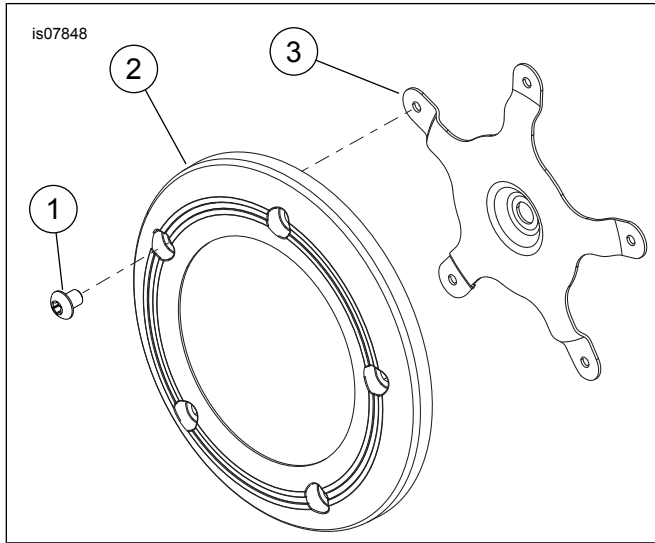


Figure 3. Service Parts: Air Cleaner Cover Kit

Table 1. Service Parts

Item	Description (Quantity)	Part Number
1	For Kit 61300227 , 61300228 , 61300229 , 61300520	
	TORX button head cap screw (5)	94590-98
	For Kit 29400343	
	Screws, torx, black oxide (5)	10200435
2	Cover trim	Not sold separately
3	For Kit 61300227 , 61300228 , 61300229 , 61300520	
	Bracket	61300240
	For Kit 29400343	
	Bracket	61300519