



INSTRUCTIONS

J05249

2017-08-22



LED FUEL GAUGE KIT

GENERAL

Kit Number

75051-08A, 75084-04C, 75095-05B, 75098-08A, 75231-08A, 75237-03C, 75242-08A, 75311-08A, 75345-10A, 75347-10A, 75357-10A, 75358-10A, 70900264, 70900265, 70900354, 70900521, 70900709, 70900781

Models

For model fitment information, see the P&A Retail Catalog or the Parts and Accessories section of www.harley-davidson.com (English only).

Kit Contents

See Figure 3 and Table 1.

⚠ WARNING

Rider and passenger safety depend upon the correct installation of this kit. Use the appropriate service manual procedures. If the procedure is not within your capabilities or you do not have the correct tools, have a Harley-Davidson dealer perform the installation. Improper installation of this kit could result in death or serious injury. (00333b)

NOTE

This instruction sheet references service manual information. A service manual for your model motorcycle is required for this installation and is available from a Harley-Davidson dealer.

REMOVAL

⚠ WARNING

To prevent accidental vehicle start-up, which could cause death or serious injury, disconnect negative (-) battery cable before proceeding. (00048a)

⚠ WARNING

When servicing the fuel system, do not smoke or allow open flame or sparks in the vicinity. Gasoline is extremely flammable and highly explosive, which could result in death or serious injury. (00330a)

1. Refer to the owner's manual and follow the instructions to remove the seat and disconnect the negative battery cable. Retain all seat mounting hardware.

Removing the Analog Fuel Gauge

NOTE

The fuel gauge wires are routed through a tube in the fuel tank, and are secured by a clip at the bottom of the tank and, on some models, a clamp on the frame. Open the clip and clamp

as needed. Make sure there is enough slack in the wires to be able to lift out the gauge.

1. At the bottom left side of the fuel tank, bend back the flexible clip slightly to free the fuel gauge conduit. Open the harness clamp on the frame if necessary to free the conduit. Gently pull on the conduit to draw the Multilock connector [117] out of the tunnel.
2. See Figure 3. Press the pin on the socket terminal side of the connector, and pull apart the pin and socket halves.
3. See Appendix B in an appropriate service manual. Use a pick (Snap-On TT600-3 or equivalent) to remove the terminals or clip off the wires.
4. See Figure 3. Remove the fuel gauge by firmly grasping and carefully pulling up (do NOT twist) on the gauge just far enough to free it from the fuel tank. **Carbureted Models:** Disconnect the two sending unit connectors. Feed the conduit and two wires up through the tube while removing the gauge. Remove and discard the fuel gauge. **Fuel-Injected Models:** Feed the conduit and three wires up through the tube while removing the gauge.
5. Remove and discard the fuel gauge and rubber gasket.

INSTALLATION

1. See Figure 1. Connect wiring harness connector to fuel gauge connector (2).
2. See Figure 3. Assemble the new gasket (3) to the LED fuel gauge (1) from the kit. Install the gasket so the flat side contacts the edge of the gauge.
3. While carefully lowering the fuel gauge, feed the wire harness (2) down into the drain tube until the three short (Orange, Black, Yellow/White) wires exit the hole at the bottom of the fuel tank. Gently pull the wires to remove slack while installing the gauge to the fuel tank. Do not twist the gauge during installation. Hold the gauge firmly and press down until it snaps into place.
4. See Figure 2. Install three wires (1, 2, and 4) into the correct cavities of the four-pin connector from the kit. Refer to the AMP MULTILOCK ELECTRICAL CONNECTORS, INSTALLING SOCKET/PIN TERMINALS section in the Service Manual.



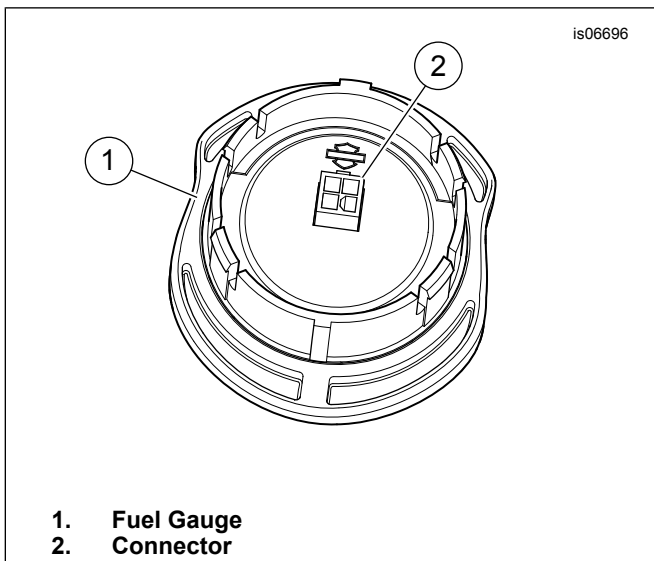


Figure 1. Fuel Gauge Connector

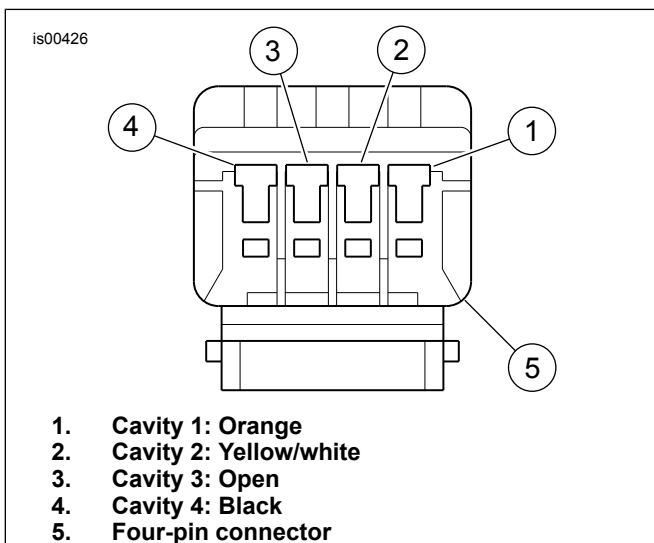


Figure 2. Four-Pin Connector (viewed from wire end)

1. **Fuel Gauge**
 2. **Connector**
5. At the bottom left side of the fuel tank, mate the completed pin connector to the socket housing [117B] previously disconnected. Feed the connector into the tunnel, capturing the conduit in the flexible clip at the bottom of the fuel tank and the clamp on the frame (if so equipped).
 6. Refer to the owner's manual and follow the instructions to connect the negative (-) battery cable.
 7. Install the seat. After installing the seat, pull up on the seat to be sure it is secure.

NOTE

If the fuel gauge does not indicate the proper fuel level after installing this kit, check the connectors, then follow the troubleshooting procedures in the service manual.

CARE AND CLEANING GUIDELINES FOR BRASS PARTS

Cleaning Instructions

1. Verify part is dry and free of dirt or debris.

2. Place a small amount of Harley-Davidson[®] Chrome Clean & Shine on a microfiber cloth or detailing swab.
3. Using light pressure, rub the brass parts with the microfiber cloth. For hard to reach places or grooves, use the detailing swab.

Obtaining a Bright Finish

Brass parts will naturally age and darken with time. If a bright brass finish is preferred, place some Harley-Davidson Bare Metal Polish on a microfiber cloth and lightly rub on the brass parts until they reach the desired brightness.

Slowing the Natural Aging Process

To slow the aging process of the brass parts, place a small amount of Harley-Davidson Glaze Poly Sealant on a microfiber cloth or detailing swab, and lightly rub on the parts until the sealant has soaked in.

Precautions

- Use of non-recommended cleaning, polishing and protective products will result in the removal of the aged finish from the brass parts.
- Prolonged contact with certain items (hands, gloves, boots, dust, etc.) and exposure to the elements will also alter all surface finishes and is NOT considered a defect.
- Avoid cleaning parts with abrasive and aggressive chemicals and abrasive cleaning pads.
- Avoid ammoniated products and bleach.
- Prolonged exposure to water will alter the brass finish. Wipe down parts after contact with water.
- Excess rubbing may lighten the surface appearance of the part.

SERVICE PARTS

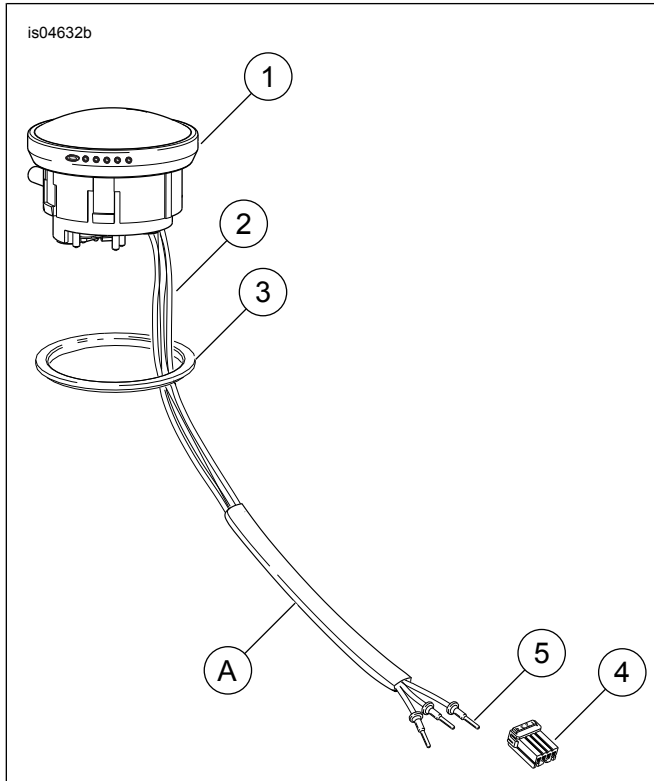


Figure 3. Service Parts: LED Fuel Gauge Kit

Table 1. Service Parts Table: LED Fuel Gauge Kit

Item	Description (Quantity)	Part Number
1	Fuel gauge, LED	Not Sold Separately
2	Wiring harness	69200095
3	Gasket, fuel gauge	Not Sold Separately
4	Pin housing, 4-pin	72904-01BK
5	Pin terminals	72990-01
Items mentioned in text, but not included in kit:		
A	Wire conduit	