



INSTRUCTIONS

J06499

2017-11-08



SPORT GLIDE WINDSHIELD KIT

GENERAL

Kit Number

57400360

Models

For model fitment information, see the P&A Retail Catalog or the Parts and Accessories section of www.harley-davidson.com (English only).

Kit Contents

This kit contains one windshield.

There are no service parts available with this kit.

⚠ WARNING

Rider and passenger safety depend upon the correct installation of this kit. Use the appropriate service manual procedures. If the procedure is not within your capabilities or you do not have the correct tools, have a Harley-Davidson dealer perform the installation. Improper installation of this kit could result in death or serious injury. (00333b)

NOTE

This instruction sheet references service manual information. A service manual for your model motorcycle is required for this installation and is available from a Harley-Davidson dealer.

REMOVAL

1. Remove fairing assembly from the vehicle. See service manual.
2. See Figure 1. Remove the outer fairing (1) from the inner fairing (2). See service manual.
3. Loosen but do not remove the two screws (3) securing the windshield (4) to the inner fairing.
4. Raise and remove the windshield.

INSTALLATION

1. See Figure 1. Place the windshield (4) into position on the inner fairing (2).
2. Tighten the two mounting screws.
Torque: 3.6–4.5 N·m (32–40 **in-lbs**) *Windshield Screws*
3. Install outer fairing (1) to inner fairing (2). See service manual.
4. Install fairing assembly to the vehicle. See service manual.

CARE AND CLEANING

NOTICE

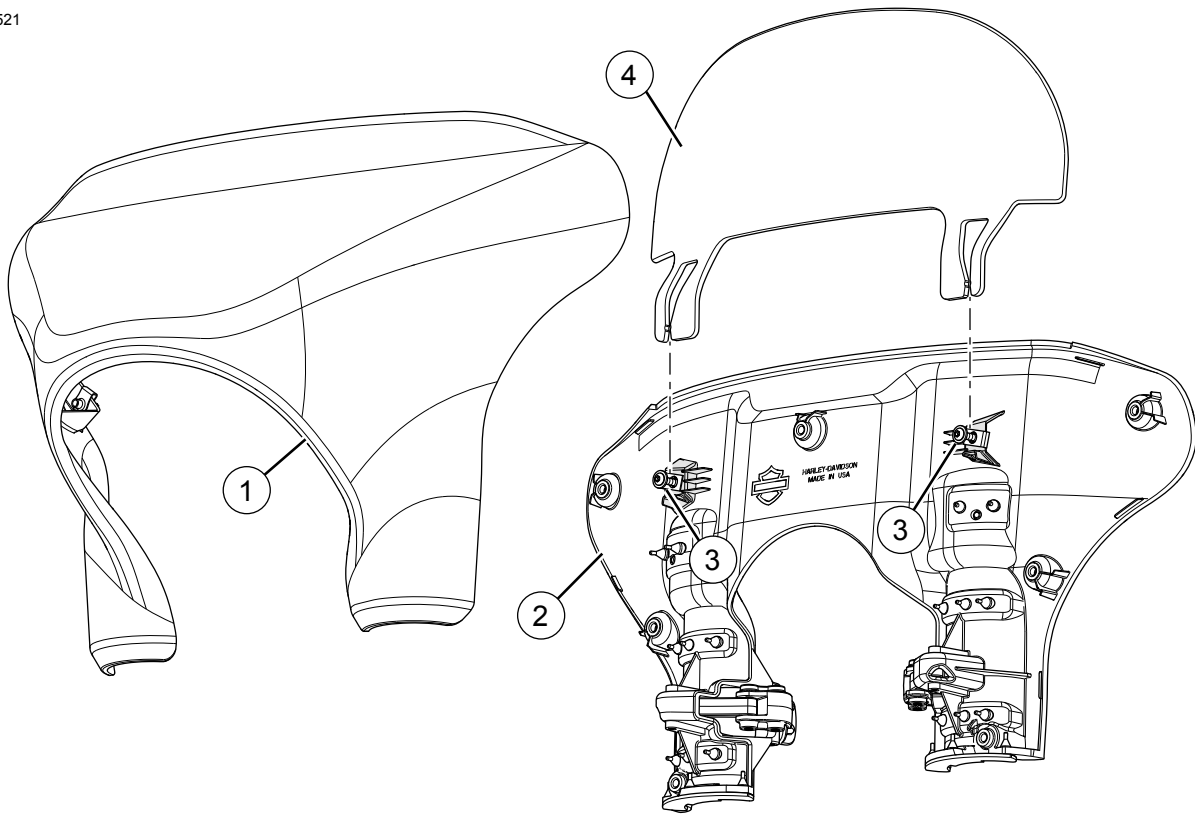
Polycarbonate windshields/wind deflectors require proper attention and care to maintain. Failure to maintain polycarbonate properly can result in damage to the windshield/wind deflector. (00483e)

- Do not use benzene, paint thinner, gasoline or any other type of harsh cleaner on the windscreen/windshield. Doing so will damage the surface.
- Do not clean polycarbonate in hot sun or high temperature.
- Powdered, abrasive or alkaline cleanser will damage the windscreen/windshield.
- Sunlight reflections off of the inside curvature of a windscreen/windshield can, at certain times of the day, cause extreme heat build-up on motorcycle instruments. Exercise care in parking. Park facing the sun, place an opaque object over the instruments, or adjust the windscreen/windshield to avoid reflections.

NOTE

Harley-Davidson Windshield Water Repellent Treatment part number 99841-01 is approved for use on Harley-Davidson polycarbonate windshields.





- 1. Outer fairing
- 2. Inner fairing

- 3. Windshield screws (2)
- 4. Windshield

Figure 1. Windshield Installation