



# INSTRUCTIONS

J05247

2018-01-16



## SOFTAIL SWINGARM BAG

### GENERAL

#### Kit Numbers

90200417, 90200456, 90201567, 90201568

#### Models

For model fitment information, see the P&A retail catalog or the Parts and Accessories section of [www.harley-davidson.com](http://www.harley-davidson.com) (English only).

#### Kit Contents

See Figure 10 and Table 1.

### INSTALLATION

#### 2017 Softail and ealier:

1. See Figure 1. Peel backing from protective tapes (1) and install to the swingarm (2) upper and lower bars.

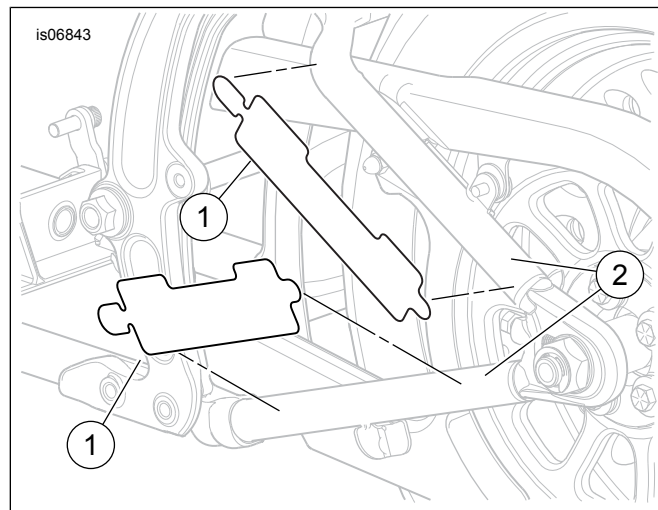
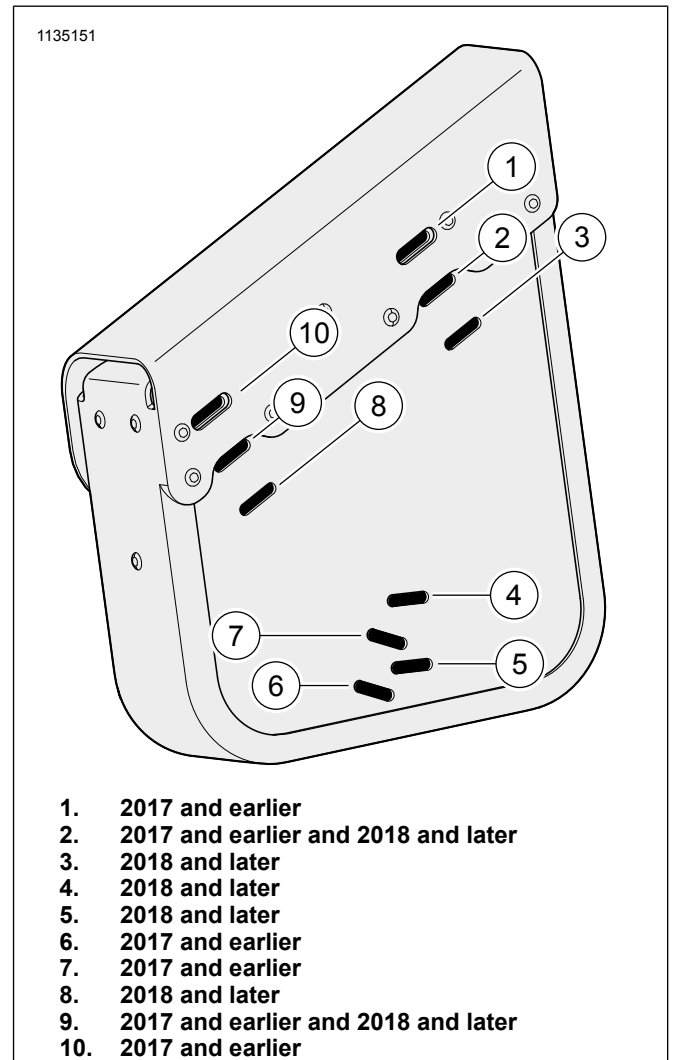
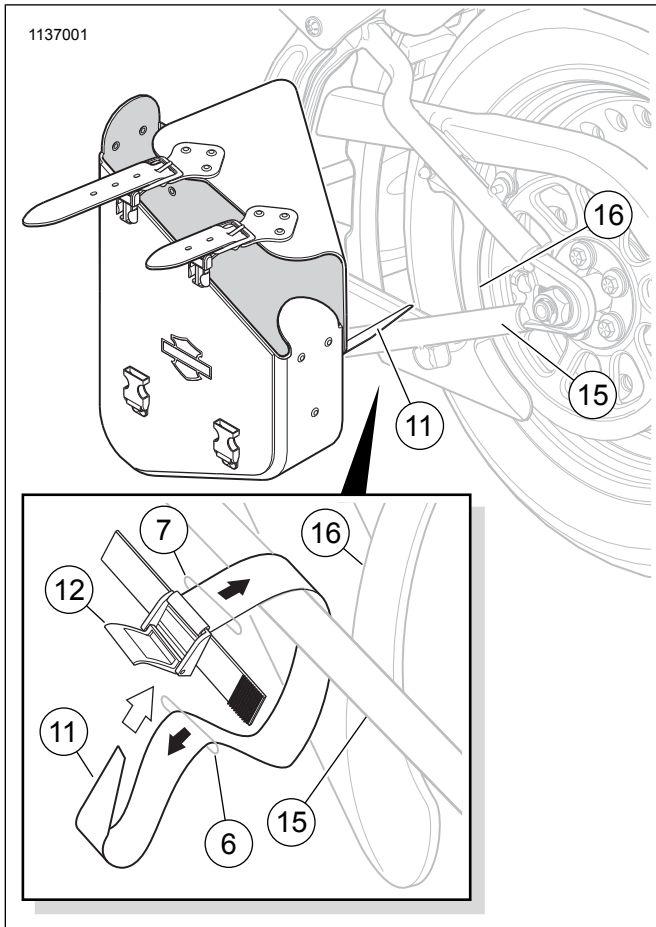


Figure 1. Install Protective Cover (2)



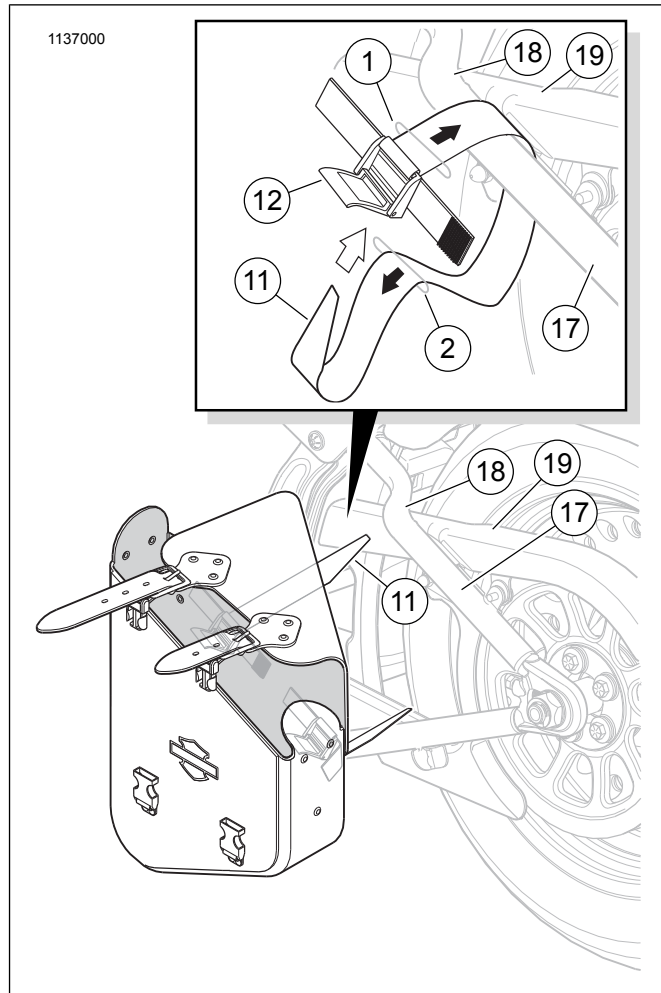
1. 2017 and earlier
2. 2017 and earlier and 2018 and later
3. 2018 and later
4. 2018 and later
5. 2018 and later
6. 2017 and earlier
7. 2017 and earlier
8. 2018 and later
9. 2017 and earlier and 2018 and later
10. 2017 and earlier

Figure 2. Bag Mounting Slots



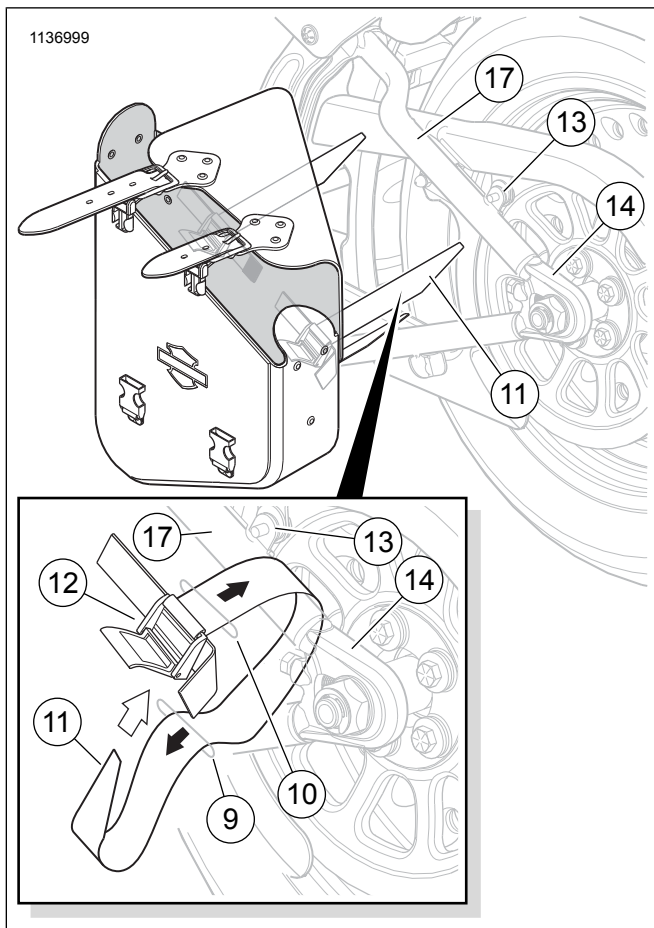
**Figure 3. Attach Lower Strap - 2017 Softail and earlier**

2. See Figure 2 and Figure 3. Lower strap installation.
  - a. Install mounting straps (11). Open bag and insert a mounting strap (11), from the inside, through top slot (7) of lower mounting point in the orientation shown.
  - b. Wrap strap around lower swingarm bar (15) just in front of debris deflector (16) and back through bottom slot (6) in the bag.
  - c. Attach strap loosely to clamp (12) to hold saddlebag in place.



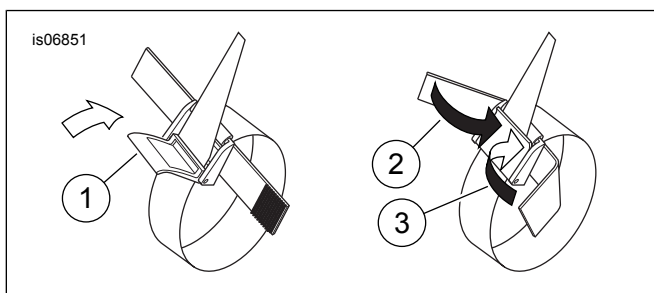
**Figure 4. Attach Forward Strap - 2017 Softail and earlier**

3. See Figure 2 and Figure 4. Forward strap installation.
  - a. Insert a second strap (11) through top slot (1) of the forward mounting point.
  - b. Wrap strap around upper swingarm bar (17) just behind the bend (18).
  - c. Work strap rearward between bar and belt guard (19), and insert strap end back through bottom slot (2) in the bag.
  - d. Attach strap loosely to clamp (12).



**Figure 5. Attach Rearward Strap - 2017 Softail and earlier**

4. See Figure 2 and Figure 5. Rearward strap installation.
  - a. Insert remaining strap (11) through top slot (10) of the rearward mounting point.
  - b. Wrap strap around upper swingarm bar (17) between belt guard mount (13) and swingarm end forging (14), and insert the strap end back through bottom slot (9) in the bag.
  - c. Attach strap loosely to clamp (12).



**Figure 6. Lock Down and Secure Clamp**

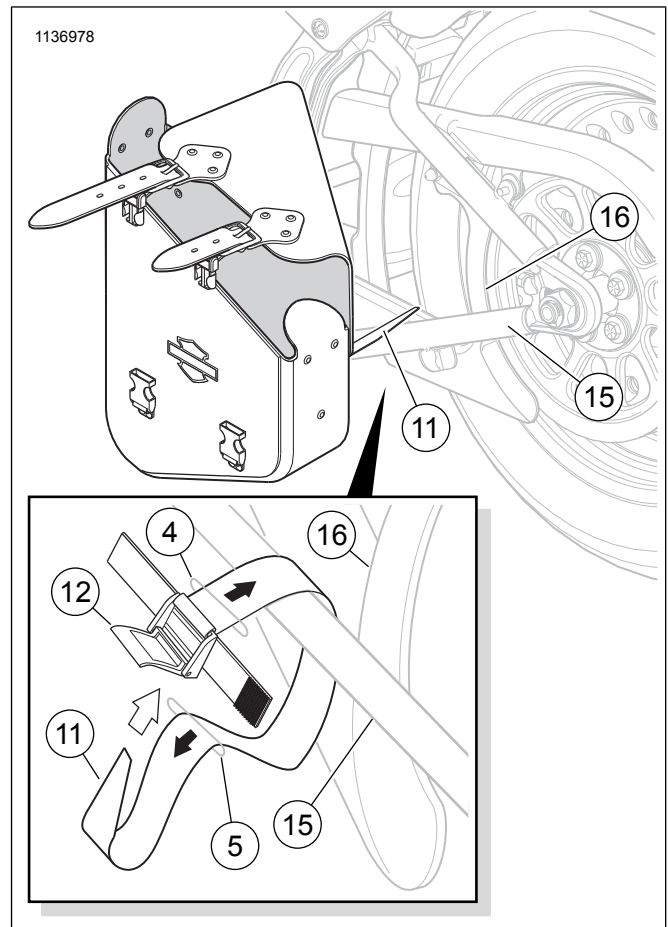
5. See Figure 6. Tighten each strap as much as possible.
  - a. Lock down clamp (1).
  - b. Fold hook-and-loop straps (2 and 3) over closed clamp to secure.

**NOTE**

*Even with the straps fully tightened, the saddlebag may still feel loose. This is normal.*

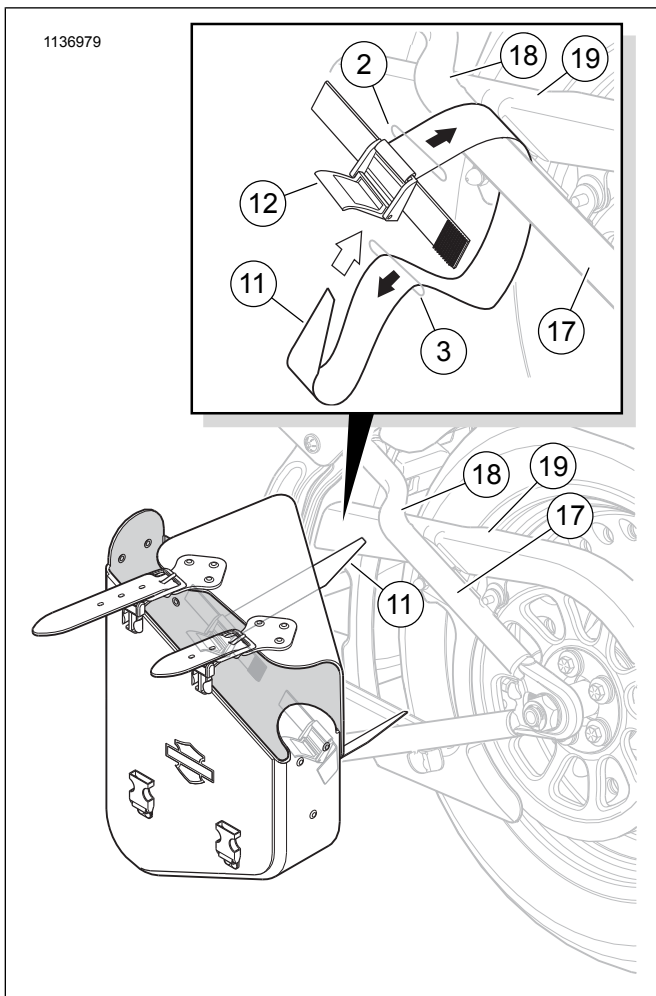
**2018 Softail and later:**

1. See Figure 1. Peel backing from protective tapes (1) and install to the swingarm (2) upper and lower bars.



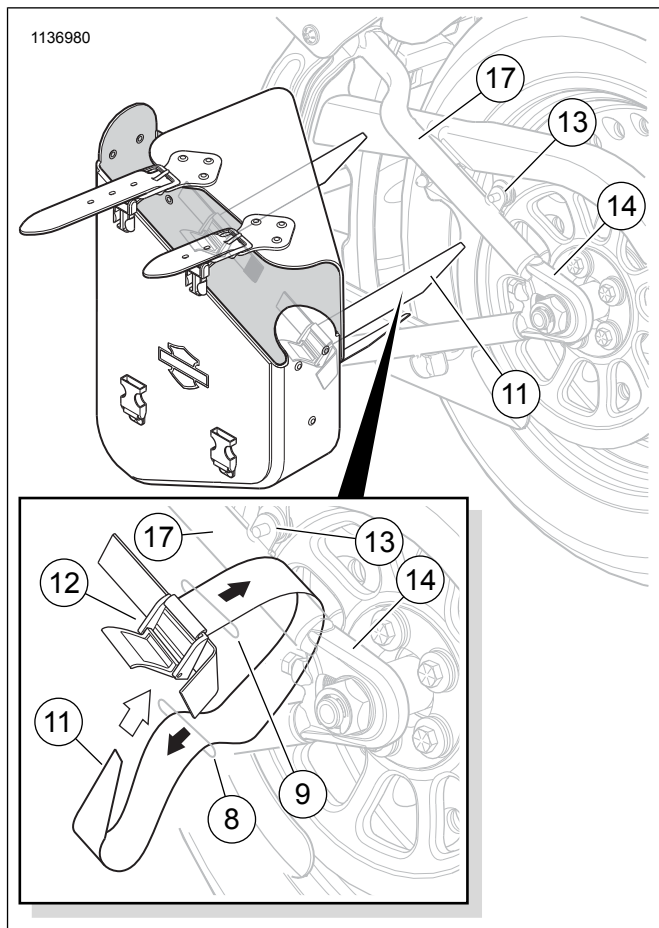
**Figure 7. Attach Lower Strap - 2018 Softail and later**

2. See Figure 2 and Figure 7. Lower strap installation.
  - a. Open bag and insert a mounting strap (11), from the inside, through top slot (4) of lower mounting point in the orientation shown.
  - b. Wrap strap around lower swingarm bar (15) just in front of debris deflector (16) and back through bottom slot (5) in the bag.
  - c. Attach strap loosely to clamp (12) to hold saddlebag in place.



**Figure 8. Attach Forward Strap - 2018 Softail and later**

3. See Figure 2 and Figure 8. Forward strap installation.
  - a. Insert a second strap (11) through top slot (2) of the forward mounting point.
  - b. Wrap strap around upper swingarm bar (17) just behind the bend (18).
  - c. Work strap rearward between bar and belt guard (19), and insert strap end back through bottom slot (3) in the bag.
  - d. Attach strap loosely to clamp (12).



**Figure 9. Attach Rearward Strap - 2018 Softail and later**

4. See Figure 2 and Figure 9. Rearward strap installation.
  - a. Insert remaining strap (11) through top slot (9) of the rearward mounting point.
  - b. Wrap strap around upper swingarm bar (17) between belt guard mount (13) and swingarm end forging (14), and insert the strap end back through bottom slot (8) in the bag.
  - c. Attach strap loosely to clamp (12).
5. See Figure 6. Tighten each strap as much as possible.
  - a. Lock down clamp (1).
  - b. Fold hook-and-loop straps (2 and 3) over closed clamp to secure.

**NOTE**

*Even with the straps fully tightened, the saddlebag may still feel loose. This is normal.*

**IN USE**

**▲ WARNING**

**Do not exceed swingarm bag weight capacity. Too much weight in swingarm bag can cause loss of control, which could result in death or serious injury. (00618c)**

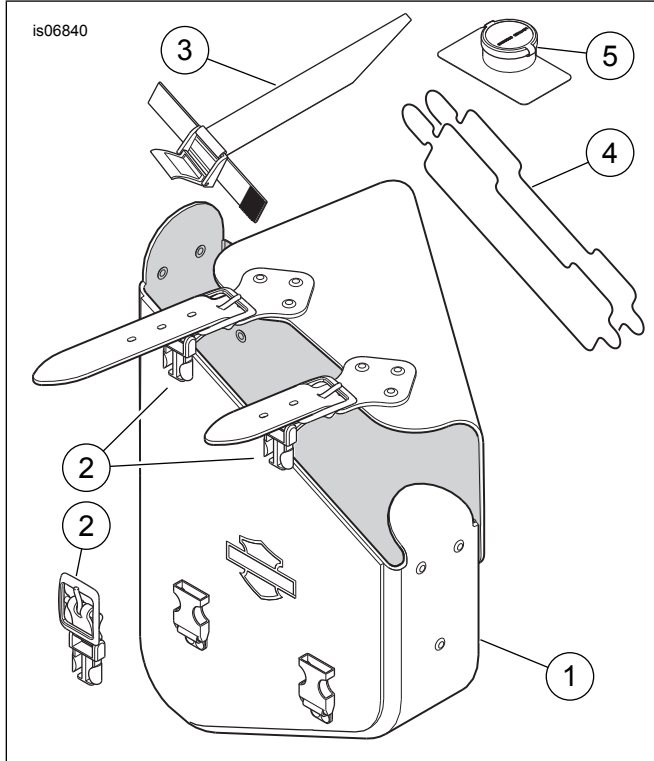
**NOTE**

Maximum swingarm bag weight capacity is 2.3 Kg (5 lb).

Use the Leather Care from the kit regularly to preserve the appearance and extend the life of the swingarm bag. Additional leather care products are available from a Harley-Davidson dealer or see customer care card that came with the product.

Brown Antique Pull-up Leather Only: DO NOT BUFF. Buffing will cause leather to have a cloudy appearance.

**SERVICE PARTS**



**Figure 10. Service Parts: Softail Swingarm Bag**

**Table 1. Service Parts: Softail Swingarm Bag**

| Item | Description (Quantity)                           | Part Number         |
|------|--|---------------------|
| 1    | Swingarm bag                                     | Not sold separately |
| 2    | Quick disconnect clip, male (2)<br>(with buckle) | 90200531            |
|      | Buckle (kit 90201567 only)                       | 90201751            |
| 3    | Mounting strap/clamp (3)                         | 90200577            |
| 4    | Protective tape (set of 2)                       | 90200539            |
| 5    | Leather Care (0.75 oz.)                          | Not sold separately |