



# INSTRUCTIONS

J03179

2020-09-16



## PASSENGER FOOTBOARD KIT

### GENERAL

#### Kit Number

50396-05

#### Models

This kit fits 1986 and later Touring models and Softail models equipped with footboard supports. Softail Footboard Supports are available (depending on motorcycle model) as support kits part numbers 50399-05 or 50400-05 or as footboard kits part numbers 50602-00, 50602-89B, 50955-00, 50955-97A, and 52715-04.

#### Installation Requirements

##### ⚠ WARNING

Rider and passenger safety depend upon the correct installation of this kit. Use the appropriate service manual procedures. If the procedure is not within your capabilities or you do not have the correct tools, have a Harley-Davidson dealer perform the installation. Improper installation of this kit could result in death or serious injury. (00333b)

##### NOTE

A service manual for your motorcycle is available at your Harley-Davidson Dealer.

#### Kit Contents

See Figure 2 for kit contents.

### INSTALLATION

1. Install footboard supports if not currently installed.
2. See Figure 2. Place footboard pad (1) on footrest (3) and thread the insert mounting pins (4).
3. Tighten mounting pins.  
Torque: 6.8–9 N·m (60–80 in-lbs)

##### NOTE

The footboards are side-specific. Install footboards with the Bar-and-Shield logo toward the front.

4. See Figure 1. Obtain spring and ball from footboard support kit. Place spring into retaining hole (2) in footboard support (3). Rest ball on top of spring.
5. Position footrest (5) onto footboard support bracket (3), while being careful not to unseat steel ball.
6. Tighten pins.  
Torque: 16.3–20 N·m (12–15 ft-lbs)

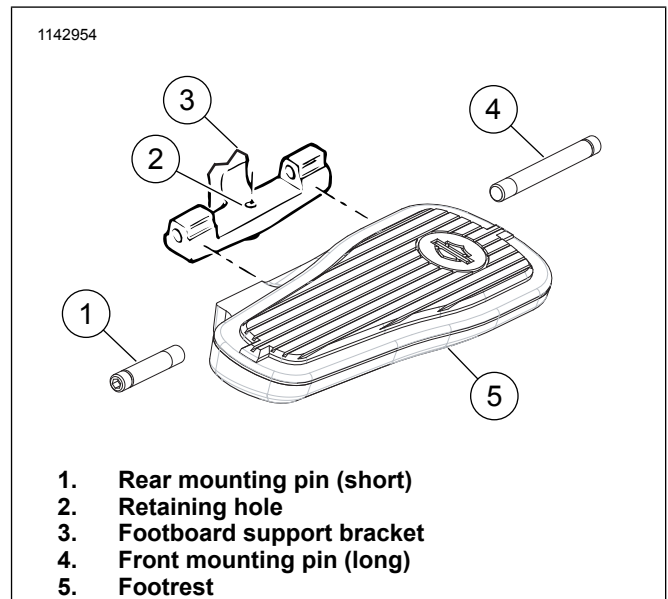


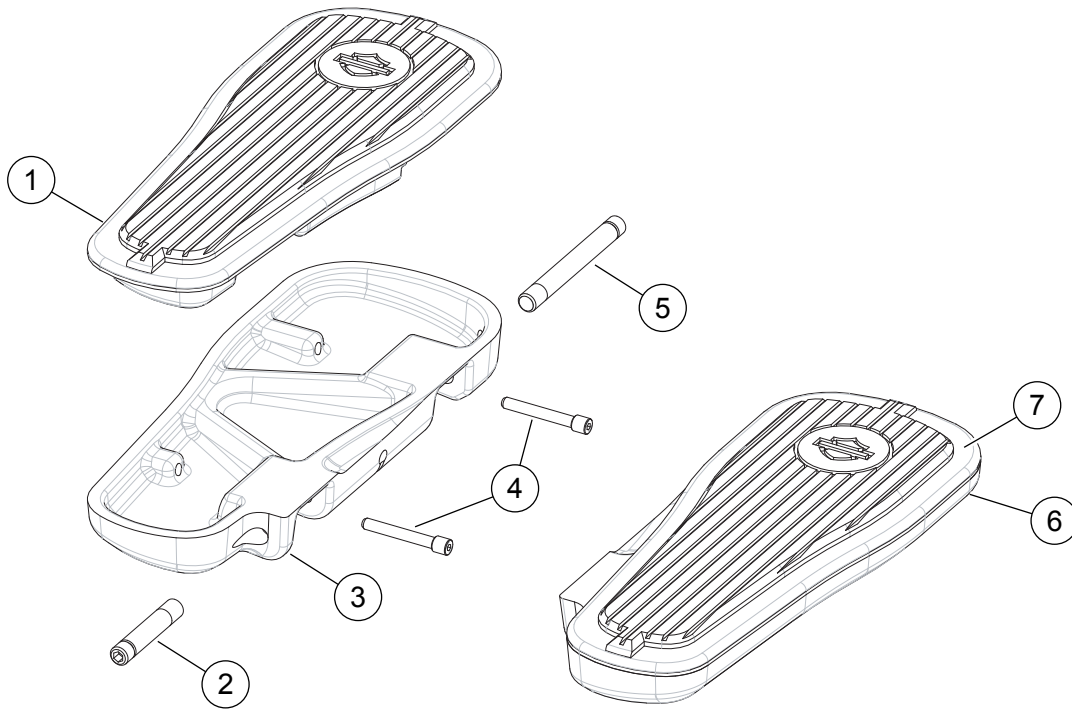
Figure 1. Footboard Support and Footrest

7. Press down on footrest so holes align. Insert footboard mounting pins (1, 4) through footrest and through the two mounting lugs on footboard support. Check to be certain ball is seated in detent at underside of footrest.
8. Repeat for other side.



## Service Parts

1142955



**Figure 2. Service Parts: Passenger Footboard Kit**

**Table 1. Service Parts**

Item	Description (Quantity)	Part Number
1	Passenger footboard insert ass., left	50391-05
2	Footboard mounting pin (2)	42719-05
3	Passenger footboard housing, left	50398-05
4	Insert mounting pin (4)	50395-05
5	Footboard mounting pin (2)	42723-05
6	Passenger footboard housing, right	50397-05
7	Passenger footboard insert ass., right	50390-05