



INSTRUCTIONS

J06614

2018-08-20



SOFTAIL REAR SADDLEBAG GUARDS

GENERAL

Kit Number

90201312, 90201315

Models

For model fitment information, please see the P&A Retail Catalog or the Parts and Accessories section of www.harley-davidson.com (English only).

Installation Requirements

LOCTITE 243 MEDIUM STRENGTH THREADLOCKER AND SEALANT (BLUE) (99642-97)

▲ WARNING

Rider and passenger safety depend upon the correct installation of this kit. Use the appropriate service manual procedures. If the procedure is not within your capabilities or you do not have the correct tools, have a Harley-Davidson dealer perform the installation. Improper installation of this kit could result in death or serious injury. (00333b)

NOTE

This instruction sheet references Service Manual information. A Service Manual for your model motorcycle is available from a Harley-Davidson Dealer.

Kit Contents

See Figure 3 and Table 1.

INSTALLATION

1. Remove passenger footpeg or passenger footboard assembly (including footboard mount) from vehicle if equipped.
2. See Figure 1. Remove screw (1) and washer (2) from indicated position on rear fender support.
3. Discard screw (1) and save washer (2) for later use. This location is where the upper part of the saddlebag guard will mount.

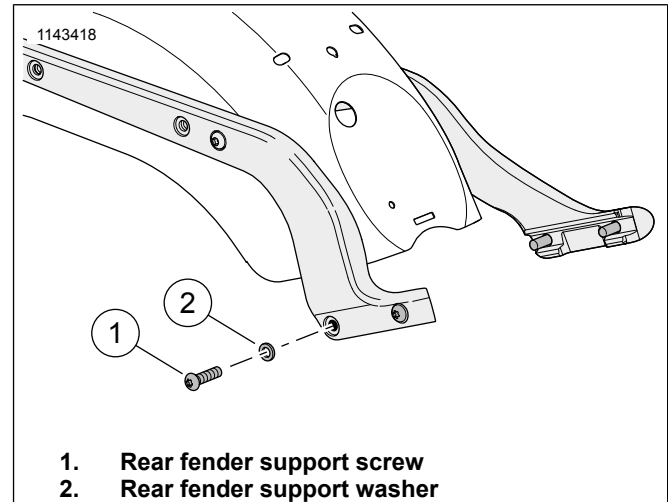


Figure 1. Hardware Removal

4. See Figure 2. Position saddlebag guard top flange (5) with Original Equipment (OE) washer (2) removed earlier between the flange and rear fender support (3).
5. See Figure 3. Install screw (3) and washer (4). Finger tighten only.
6. See Figure 2. Position bottom flange (6) of saddlebag guard (4) against vehicle frame (7) at location where passenger footpeg (2) (or passenger footboard bolt) attaches.
7. See Figure 3. Determine your model application and follow the applicable installation procedure below:
 - a. Apply two drops of threadlocker to the clean threads of screw before installation.
LOCTITE 243 MEDIUM STRENGTH THREADLOCKER AND SEALANT (BLUE) (99642-97)
On models with passenger footpeg:
 - a. Install socket head cap screw (6) through footpeg support (A) and guard flange into frame, aligning notch on footpeg support with tab on saddlebag guard.
 - b. Secure support bolt. Tighten.
52–64 N·m (38–47 ft-lbs)
 - c. Ensure footpeg support is flat against saddlebag guard flange after tightening.
 - d. Install footpeg (B). See service manual.
On models without passenger footpegs:
 - a. Install button head screw (5) and washer (4) through guard, flange and into frame. Tighten.
57–62 N·m (42–46 ft-lbs)
 - a. Follow installation instructions of footboard mount kit.



- b. Guard flange mounts between footboard mount and frame. Use specified screws included in footboard mount kit.
- c. Ensure footpeg support is flat against saddlebag guard flange after tightening.

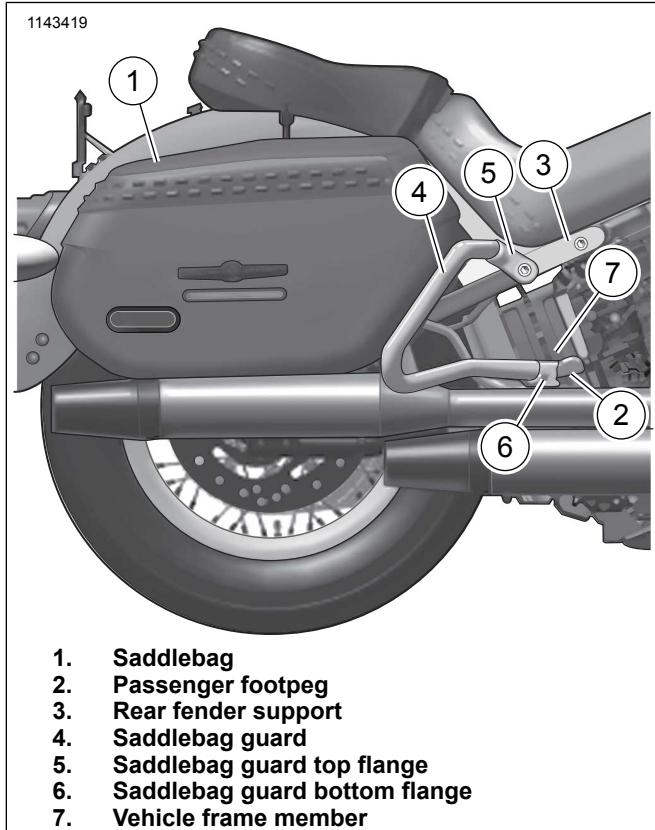


Figure 2. Rear saddlebag Guard Installed-Right Side

- 8. See Figure 1. Torque screw that secures saddlebag guard top flange (see step 4). Tighten.
57–62 N·m (42–46 ft-lbs)
- 9. Repeat steps 1-9 for installing saddlebag guard on opposite side of vehicle.
- 10. Discard remaining original and kit mounting hardware.

SERVICE PARTS

1143420

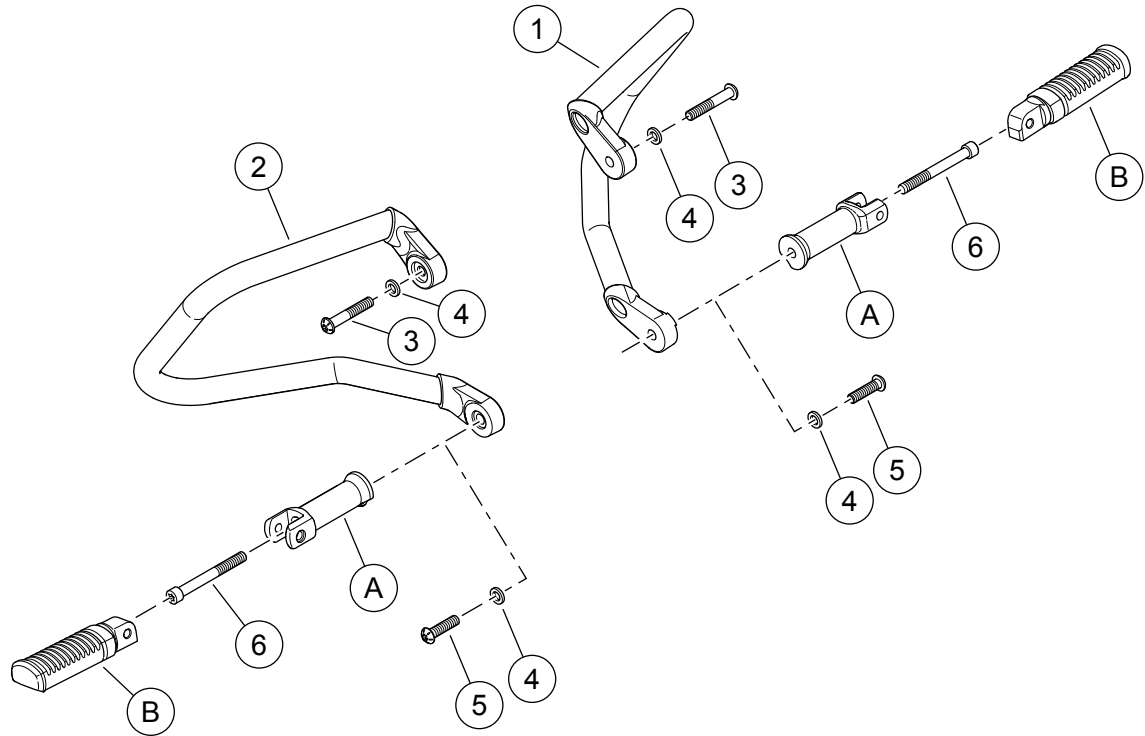


Figure 3. Service Parts: Softail Rear Saddlebag Guard

Table 1. Service Parts Table

Item	Description (Quantity)	Part Number
1	Saddlebag Guard, left, Chrome Saddlebag Guard, left, Black	90201313 90201316
2	Saddlebag Guard, right, Chrome Saddlebag Guard, right, Black	90201314 90201317
3	Screw, button head, Torx, 3/8-16 x 2.25 inch (2)	10200745
4	Washer (4)	10300116
5	Screw, button head, Torx, 3/8-16 x 1.5 inch (2)	3056
6	Screw, socket head, Torx, 3/8-16 x 3.5 inch (2)	4315
Items mentioned in text, but not included in kit:		
A	Footpeg support (2)	
B	Footpeg (2)	