



INSTRUCTIONS

J01175

2020-09-22



DYNA GLIDE ADJUSTABLE HIGHWAY PEG MOUNTING KIT

GENERAL

Kit Number

49002-98

Models

This kit is designed for installation on 1991 and later Dyna Glide model motorcycles (except FXDWG models).

Installation Requirements

NOTE

This kit cannot be used with a front engine guard installed.

Kit Contents

See Figure 2 and Table 1.

INSTALLATION

1. See Figure 1. Install setscrew (14) into lower hole on frame tube boss (2) leaving .20 in. of setscrew (or three threads) exposed.
2. Place highway peg mounting plate (1) into position. For a lower peg position, place bottom hidden hole in mounting plate over setscrew. For a higher peg position, place upper hidden hole in mounting plate over setscrew. Attach mounting plate to frame tube boss using 1 in. long screw (3), lockwasher (4), and flat washer (5) from kit. Tighten.
Torque: 45 N·m (33 ft-lbs) *Screws*
3. Install footrest support (6) onto highway peg support plate using hex nut (7), lockwasher (8) and flat washer (9) from kit. Tighten.
Torque: 64 N·m (47 ft-lbs) *Nut (7)*
4. Locate spring washer (10) from kit. While holding spring washer in position on inside of footrest support (with square edge towards motorcycle), position footpeg (not included with this mounting kit) between footrest support mounting tabs, as shown.

5. Insert 1-1/2 in. long screw (12) from kit through footrest support mounting tabs, footpeg, and spring washer. Secure using locknut (13) from kit.
6. Repeat these steps for the other side of vehicle.

⚠ WARNING

Footrests must fold up and toward rear of motorcycle if struck. Failure to set footrests to fold up and back could result in death or serious injury. (00366a)

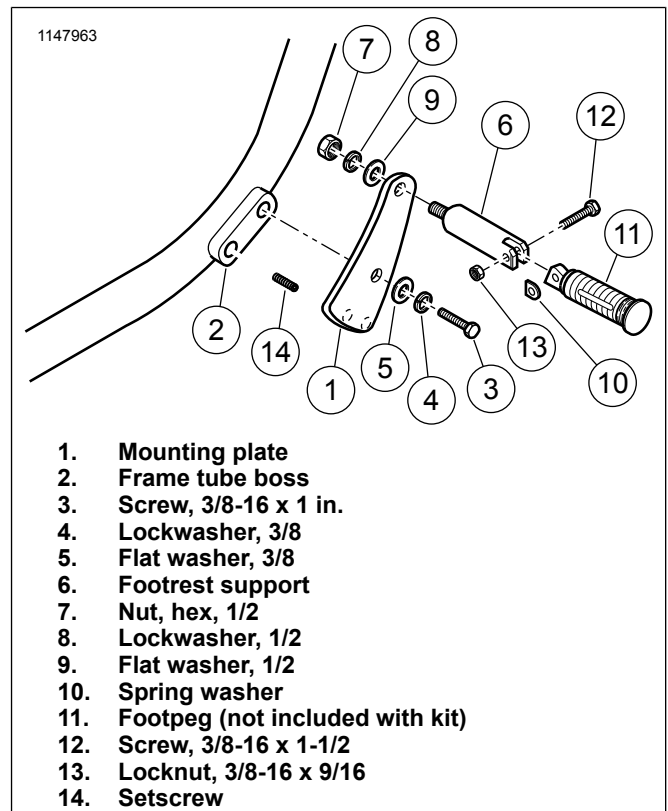


Figure 1. Footpeg and Footpeg Mounting Kit Installation (Right Side of Vehicle)

SERVICE PARTS

1147964

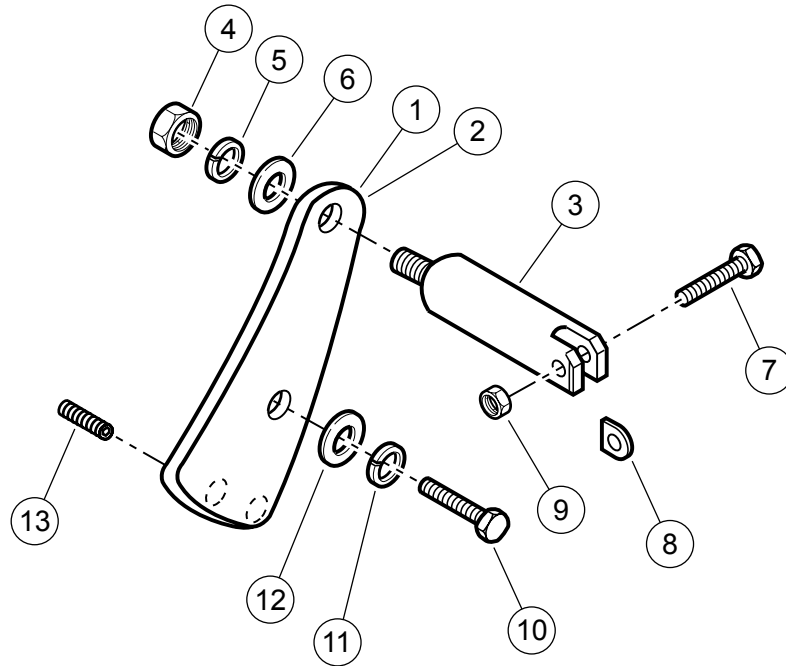


Figure 2. Service Parts: Dyna Glide Adjustable Highway Footpeg Mounting Kit

Table 1. Service Parts

Item	Description	Quantity	Part No.
1	RH Mounting plate	1	49175-98
2	LH Mounting plate	1	49233-98
3	Footrest supports	1	49714-98
4	Nuts	2	7880
5	Lockwashers	2	7068
6	Flat washers	2	6718
7	Screws	2	4721
8	Spring washers	2	50912-72
9	Locknuts	2	7778
10	Screws	2	2879W
11	Lockwashers	2	7038
12	Flat washers	2	6701
13	Setscrews	2	3289