



INSTRUCTIONS

J06645

2021-09-29



SCREAMIN' EAGLE STREET PERFORMANCE 2-1 MUFFLER

GENERAL

Kit Numbers

64900752, 64900754, 64900756, 64900758, 64901190, 64901191

Models

For model fitment information, see the P&A retail catalog or the Parts and Accessories section of www.harley-davidson.com (English only).

Installation Requirements

Proper installation of this kit requires the separate purchase of one muffler clamp (Part No. 65900007), one gasket (Part no. 65900040) and threadlocker. All models require ECM calibration with Screamin' Eagle Pro Street Tuner for proper installation. LOCTITE 243 MEDIUM STRENGTH THREADLOCKER AND SEALANT (BLUE) (99642-97)

Kits 64901190, 64901191 requires additional O2 gaskets (Part No. 11936) purchased separately.

▲ WARNING

Rider and passenger safety depend upon the correct installation of this kit. Use the appropriate service manual procedures. If the procedure is not within your capabilities or you do not have the correct tools, have a Harley-Davidson dealer perform the installation. Improper installation of this kit could result in death or serious injury. (00333b)

NOTE

This instruction sheet refers to service manual information. A service manual for your year/model motorcycle is required for this installation. One is available from a Harley-Davidson dealer.

Kit Contents

These kits consist of one muffler and these instructions. There are no service parts available for this kit.

Product Information

Noise Emission Warranty

Harley-Davidson warrants that these mufflers, at the time of sale, meet all applicable noise and emissions standards. This warranty extends to the original purchaser for purposes other than resale, and to all subsequent buyers. Direct warranty claims to an authorized Harley-Davidson dealer.

Tampering Prohibition

Regulations prohibit any modifications to this exhaust system which cause the motorcycle to exceed noise standards. Use

of a motorcycle with such a modified exhaust system is also prohibited.

NOTE

To avoid penalties under state and local ordinances, repair or replace this product if motorcycle noise increases significantly through use.

Muffler Installation

1. Remove the main fuse.
2. Remove the right saddlebag. See the service manual.
3. See Figure 1. Loosen the muffler clamp. Note the orientation of the clamp bolt.
4. **Kits 64901190, 649001191:** Remove O2 sensors from Original Equipment (OE) mufflers. See service manual.
5. Remove and retain the muffler mount screws (C) and lock washers.
6. Remove the muffler (1) and discard the muffler clamp (B) and gasket (A).
7. If necessary, install muffler end caps. See the instructions in **that** kit.
8. Install the new muffler gasket, beveled end first.
9. Place the new muffler clamp on the muffler inlet. Orient the clamp bolt as noted in step 3.
10. Slide the muffler onto the exhaust pipe.
11. Align the muffler and secure to the bracket.
 - a. Apply threadlocker to OE muffler screws.
 - b. Install the OE lockwashers and muffler screws.
12. Secure the muffler screws. Tighten.
Torque: 13.5–16.3 N·m (119–144 in-lbs)
13. Secure muffler clamp. Tighten.
Torque: 51.5–58.3 N·m (38–43 ft-lbs)
14. **Kits 64901190, 649001191:** Install **new** gaskets (11936) onto O2 sensors previously removed into **new** muffler.
Torque: 16–19 N·m (12–14 ft-lbs)



NOTICE

Wipe all fingerprints off of exhaust system components after installation and before starting engine. Oil from hands can leave permanent marks on exhaust system finish. (00346a)

15. Wipe the muffler clean of all fingerprints. Oil from hands burns permanently into the finish.

16. Start engine. Check for exhaust leaks.

17. Install right saddlebag per the service manual.

SERVICE PARTS

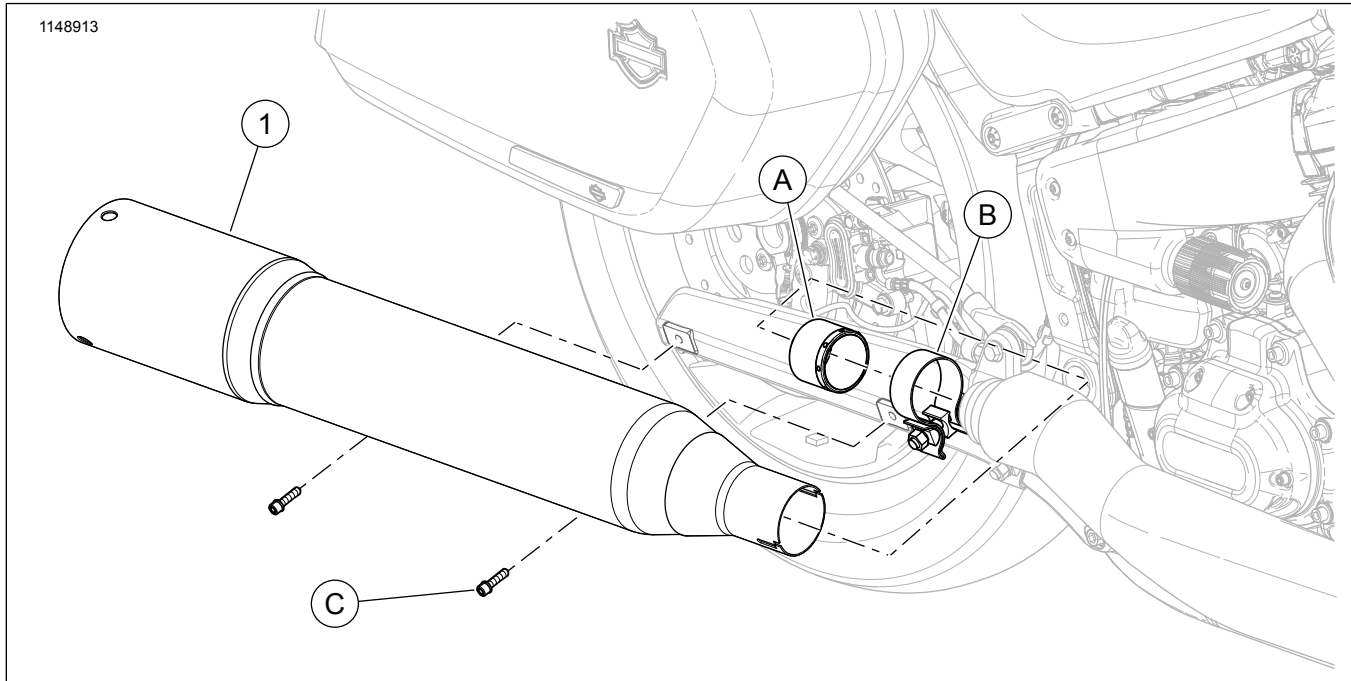


Figure 1. MUFFLER

Table 1. Service Parts

Item	Description (Quantity)	Part Number
1	Muffler	Not Sold Separately
Items mentioned in text, but not included in kit		
A	Muffler gasket	65900040
B	Muffler clamp	65900007
C	Muffler screw (2)	2486
	Thread locker	99642-97