



INSTRUCTIONS

J06644

2018-08-20



SPORT GLIDE MUFFLER SHIELD KIT

GENERAL

Kit Number

65400466, 65400468

Models

For model fitment information, see the P&A Retail Catalog or the Parts and Accessories section of www.harley-davidson.com (English only).

INSTALLATION

1. Note the position and direction of the original equipment (OE) clamp screws.
2. See Figure 1. Attach clamps to new shields (2) and align shields around mufflers (A).
3. Secure clamps evenly. Tighten.
Torque: 2.3–4.6 N·m (20–41 in-lbs)

SERVICE PARTS

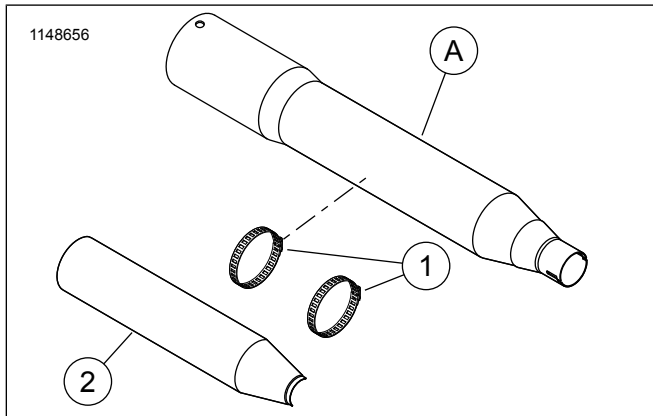


Figure 1. Service Parts

Table 1. Service Parts Table

Item	Description (Quantity)	Part Number
1	Worm drive clamp (2)	66047-05
2	Muffler shield	Not sold separately
Items mentioned in text, but not included in kit		
A	Muffler	Not sold separately

