



INSTRUCTIONS

J06676

2018-04-13



CUSTOM HAND LEVER KITS

GENERAL

Kit Numbers

41700421A, 47100422A, 41700424A, 41700425A

Models

For model fitment information, see the P&A Retail Catalog or the Parts and Accessories section of www.harley-davidson.com (English only).

Installation Requirements

⚠ WARNING

Rider and passenger safety depend upon the correct installation of this kit. Use the appropriate service manual procedures. If the procedure is not within your capabilities or you do not have the correct tools, have a Harley-Davidson dealer perform the installation. Improper installation of this kit could result in death or serious injury. (00333b)

NOTE

This instruction sheet references service manual information. A service manual for your model motorcycle is required for this installation and is available from a Harley-Davidson dealer.

⚠ WARNING

Brakes are a critical safety component. Contact a Harley-Davidson dealer for brake repair or replacement. Improperly serviced brakes can adversely affect brake performance, which could result in death or serious injury. (00054a)

Kit Contents

See Figure 2 and Table 1.

BRAKE LEVER INSTALLATION

1. Remove stock brake lever following instructions in the service manual.
2. Install new brake lever following instructions in the service manual.

⚠ WARNING

Be sure the master cylinder relief port is not plugged. A plugged relief port can cause brake drag or lockup and loss of vehicle control, which could result in death or serious injury. (00317a)

⚠ WARNING

Contact with DOT 4 brake fluid can have serious health effects. Failure to wear proper skin and eye protection could result in death or serious injury.

- If inhaled: Keep calm, remove to fresh air, seek medical attention.
- If on skin: Remove contaminated clothing. Rinse skin immediately with plenty of water for 15-20 minutes. If irritation develops, seek medical attention.
- If in eyes: Wash affected eyes for at least 15 minutes under running water with eye lids held open. If irritation develops, seek medical attention.
- If swallowed: Rinse mouth and then drink plenty of water. Do not induce vomiting. Contact Poison Control. Immediate medical attention required.
- See Safety Data Sheet (SDS) for more details available at sds.harley-davidson.com

(00240e)

NOTICE

DOT 4 brake fluid will damage painted and body panel surfaces it comes in contact with. Always use caution and protect surfaces from spills whenever brake work is performed. Failure to comply can result in cosmetic damage. (00239c)

3. Verify proper operation of the master cylinder relief port.
 - a. Position motorcycle and handlebar so master cylinder is level (on some vehicles handlebar configurations the use of a flat jack may help position the vehicle).
 - b. Remove the reservoir cover.
 - c. Slowly actuate the brake lever while watching the surface of the brake fluid. A slight spurt of fluid will break the surface if internal components are working properly.
 - d. Install the reservoir cover. See the service manual for proper torque specification.

⚠ WARNING

Be sure that all lights and switches operate properly before operating motorcycle. Low visibility of rider can result in death or serious injury. (00316a)

4. Check that the stop light goes on when the brake lever is actuated.

CLUTCH LEVER INSTALLATION

See the CLUTCH CONTROL section of the service manual for clutch lever (8) removal, installation and adjustment procedures.



CLUTCH LEVER INSPECTION

See See Figure 1. For optimal performance, install updated clutch switch. After removing clutch lever, look at the cap of the clutch switch cap. If the cap is black, replace the clutch switch. The updated clutch switch has a gray cap.

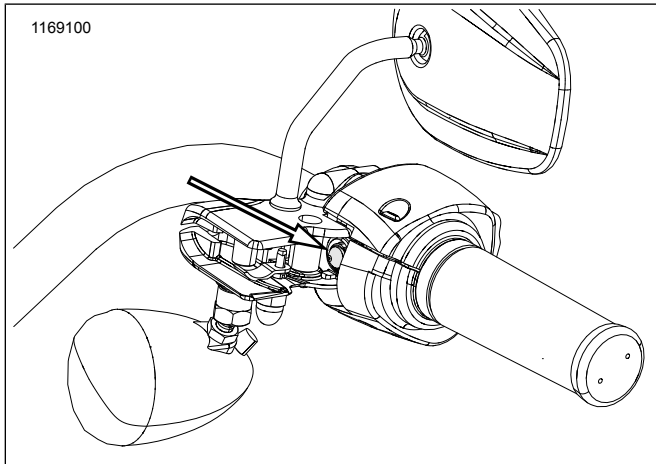


Figure 1. Clutch Switch Cap

COMPLETE

1. Check the clutch lever for proper operation. There should be no free play in the hand lever. The lever should actuate fully. A slight preload is permissible.

⚠ WARNING

After repairing the brake system, test brakes at low speed. If brakes are not operating properly, testing at high speeds can cause loss of control, which could result in death or serious injury. (00289a)

2. Test ride the motorcycle at low speed.

SERVICE PARTS

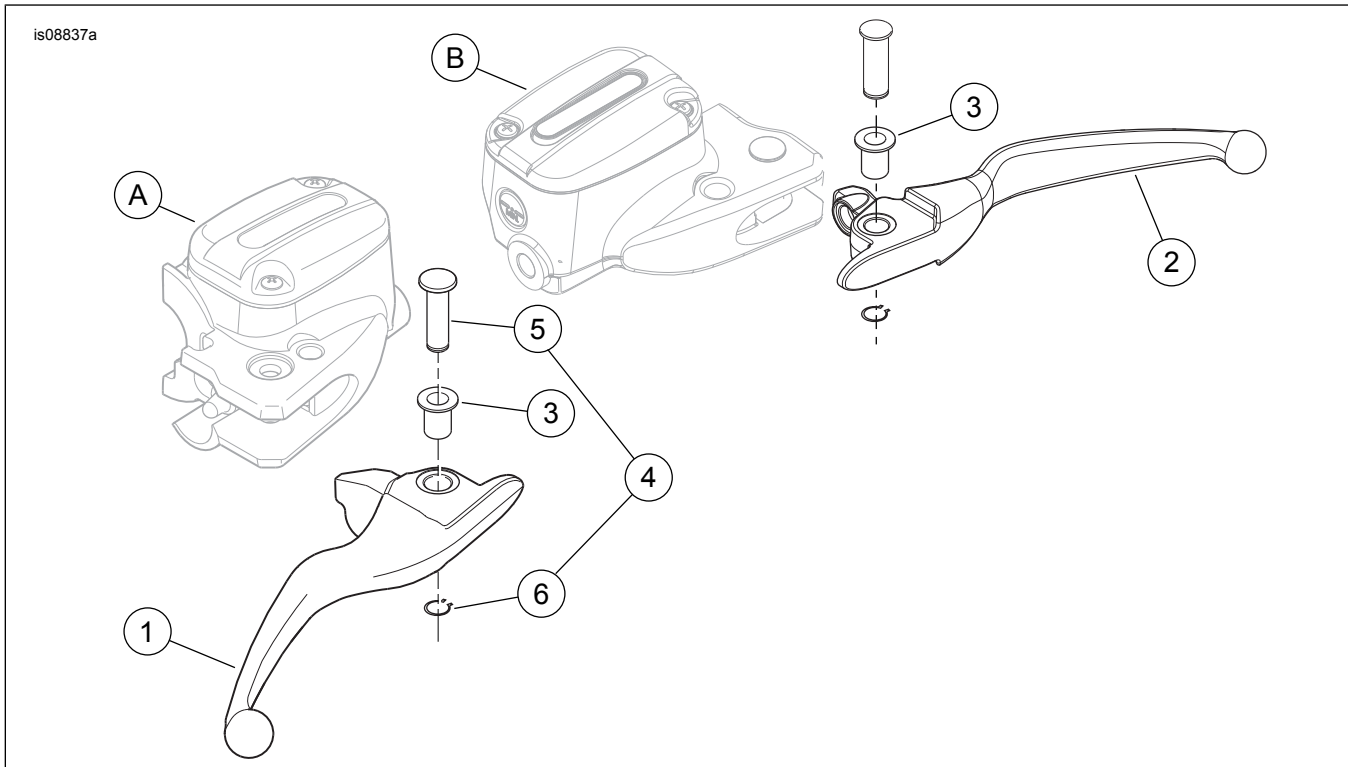


Figure 2. Service Parts: Hand Control Lever (Slotted Shown)

Table 1. Service Parts: Hand Control Lever Kits

Kit	Item	Description (Quantity)	Part Number
Kit 41700422A	1	Brake hand lever, chrome	Not Sold Separately
Chrome Levers	2	Clutch hand lever, chrome	Not Sold Separately
Kit 41700421A	1	Brake hand lever, black	Not Sold Separately
Black Levers	2	Clutch hand lever, black	Not Sold Separately
Kit 41700425A	1	Brake hand lever, slotted	Not Sold Separately
Slotted Levers	2	Clutch hand lever, slotted	Not Sold Separately

Table 1. Service Parts: Hand Control Lever Kits

Kit	Item	Description (Quantity)	Part Number
Kit 41700424A Edge Cut Levers	1	Brake hand lever, edge cut	Not Sold Separately
	2	Clutch hand lever, edge cut	Not Sold Separately
Parts common to ALL Kits	3	Bushing, brake lever pivot (2)	Not sold separately
	4	Pivot pin kit (polished). For all Kits EXCEPT 41700421A (includes Items 5 and 6) (2) Pivot pin kit (black). For Kit 41700421A (includes Items 5 and 6)	42105-06A 42860-06B
	5	• Pivot pin, brake lever	Not sold separately
	6	• Retaining ring (2)	11615
Reference items not included in kit:			
	A	Front brake master cylinder	
	B	Clutch master cylinder	