



INSTRUCTIONS

J06565

2018-08-21



SOFTAIL DOMINION PRIMARY COVER

GENERAL

Kit Number

25700795, 25700796, 25700850, 25700851

Models

For model fitment information, see the P&A Retail Catalog or the Parts and Accessories section of www.harley-davidson.com (English only).

INSTALLATION REQUIREMENTS

⚠ WARNING

Rider and passenger safety depend upon the correct installation of this kit. Use the appropriate service manual procedures. If the procedure is not within your capabilities or you do not have the correct tools, have a Harley-Davidson dealer perform the installation. Improper installation of this kit could result in death or serious injury. (00333b)

NOTE

This instruction sheet references Service Manual information. A Service Manual for your model motorcycle is required for this installation and is available from a Harley-Davidson Dealer.

Additional Parts Required

Proper installation of this kit requires the separate purchase of one;

- Primary Cover Gasket (part no. 25700378)
- Oil fill insert see Table 1

Kit Contents

See Figure 1 and Table 1

INSTALLATION

⚠ WARNING

To prevent accidental vehicle start-up, which could cause death or serious injury, remove main fuse before proceeding. (00251b)

1. Remove main fuse. See service manual.

NOTE

- **For vehicles equipped with security siren:** With security fob present, turn ignition switch ON. See the service manual. After system is disarmed, turn ignition switch OFF. **IMMEDIATELY** remove main fuse.
- **For vehicles WITHOUT security siren:** See service manual. Remove main fuse.

2. Loosen or remove components necessary to access primary cover.
3. Drain oil.
4. See Figure 1. Remove primary cover (1).
5. Remove shifter shaft (2), discard (Mid-controls only).
6. Clean gasket surface.
7. Replace gasket (A).
8. Install **new** shifter shaft (2) from kit (Mid-controls only).
9. Install primary cover (1). Tighten screws in sequence shown in service manual.
Torque: 10.2–13.6 N·m (100–120 in-lbs)
10. Tighten or install components that were loosened or removed.
11. Fill with appropriate oil. See service manual.
12. Install oil fill cover with gasket (A). Tighten.
Torque: 11.29–13.55 N·m (100–120 in-lbs)
13. Install main fuse. See service manual.

SERVICE PARTS

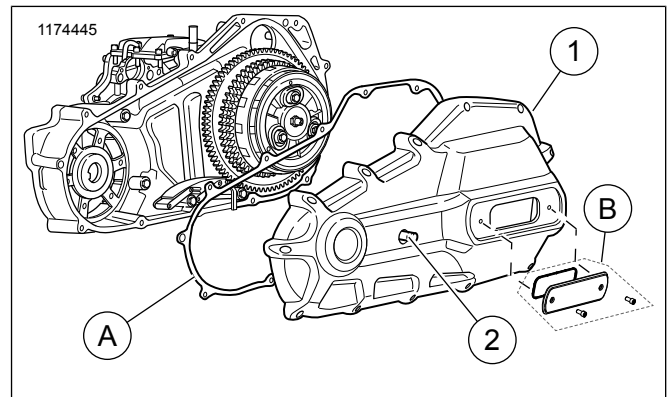


Figure 1. Primary Cover

Table 1. Service Parts

Item	Description (Quantity)	Part Number
1	Primary cover	Not Sold Separately
2	Shifter shaft	33900212
Service Parts Required Sold Separately		
A	Gasket	25700378

Table 1. Service Parts

Item	Description (Quantity)	Part Number
B	Oil Fill Insert (includes gasket and screws):	
	• Gasket	25700852
	• Screw (2)	94774-99
	Aluminum, brushed	25700804
	Black	25700805
Bronze	25700806	
Orange	25700807	