



# INSTRUCTIONS

J06514

2018-08-21



## FOOTPEG KIT

### GENERAL

#### Kit Number

Rider - H-D male mount: 50500947, 50500949

Passenger - H-D male mount: 50501558, 50501559

#### Models

For model fitment information, see the P&A Retail Catalog or the Parts and Accessories section of [www.harley-davidson.com](http://www.harley-davidson.com) (English only).

Separate purchase and installation of additional parts or accessories may be required for proper installation of this kit on your model motorcycle. See the P&A Retail Catalog or the Parts and Accessories section of [www.harley-davidson.com](http://www.harley-davidson.com) (English only) for a list of required parts or accessories for your model.

#### Installation Requirements

##### ▲ WARNING

**Rider and passenger safety depend upon the correct installation of this kit. Use the appropriate service manual procedures. If the procedure is not within your capabilities or you do not have the correct tools, have a Harley-Davidson dealer perform the installation. Improper installation of this kit could result in death or serious injury. (00333b)**

##### NOTE

*This instruction sheet references service manual information. A service manual for your model motorcycle is required for this installation and is available from a Harley-Davidson Dealer.*

#### Kit Contents

See Figure 2 and Table 1.

### INSTALLATION

1. Remove the locknuts and screws that hold the existing footpegs in place. If your model motorcycle is equipped with a pin and retaining ring, remove them and retain for future use. Save all hardware for installation of the new footpegs.
2. Remove the existing footpegs along with the spring washers. Save the spring washers for later installation.

##### NOTE

*See Figure 1. When performing the next step, verify that the spring washer is positioned inside of the footpeg support with the square edge (2) towards the inside of the support.*

3. See Figure 1. Install the new footpegs in the same manner as the old footpegs were installed. Place a spring washer (1), along with the mount end of the footpeg, inside the slots (3) of the footpeg supports.
4. Secure each footpeg and spring washer with the screw and locknut or pin and retaining ring removed earlier.
5. See Figure 2. Adjust orientation as follows:
  - a. Remove two screws (8) and foot peg trim (7).
  - b. For forward controls, foot surface to be parallel to mounting pin.
  - c. For mid controls, foot surface to be parallel to ground.
  - d. Secure adjustment screw (5). Tighten.  
Torque: 28.5 N·m (21.0 ft-lbs)
  - e. Apply a drop of threadlocker to each screw (8).  
LOCTITE 243 MEDIUM STRENGTH  
THREADLOCKER AND SEALANT (BLUE)  
(99642-97)
  - f. Install trim and two screws (8). Tighten.  
Torque: 1.7–2.3 N·m (15–20 in-lbs)

##### ▲ WARNING

**Footrests must fold up and toward rear of motorcycle if struck. Failure to set footrests to fold up and back could result in death or serious injury. (00366a)**

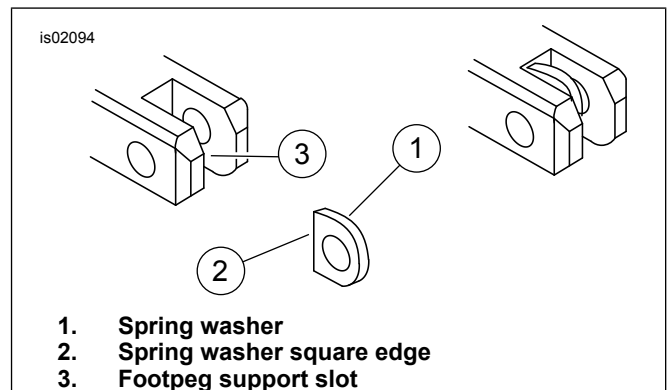


Figure 1. Footpeg Spring Washer Installation

### REPLACE TRIM or WEAR PEG

1. See Figure 2. Remove two screws (8).
2. Replace trim (7) or wear peg (6) as applicable.



3. Apply one drop of threadlocker to each screw (8).

4. Install screws (8). Tighten.

Consumable: LOCTITE 243 MEDIUM STRENGTH  
 THREADLOCKER AND SEALANT (BLUE) (99642-97)

Torque: 1.7–2.3 N·m (15–20 in-lbs)

## Service Parts

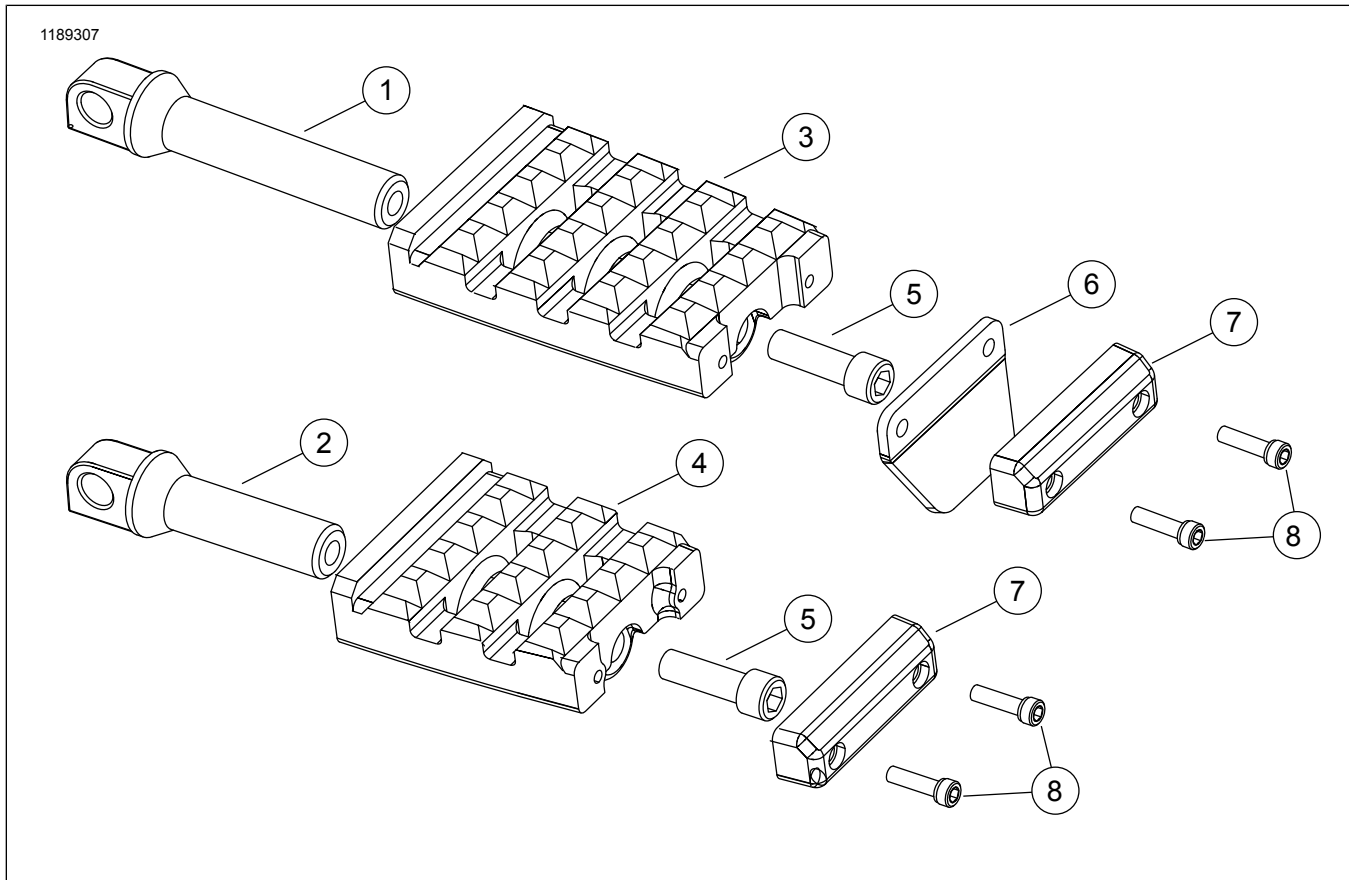


Figure 2. Service Parts

Table 1. Service Parts: Footpeg Kit and Insert

Kit	Item	Description (Quantity)	Part Number
50500947 50500949	1	Rider footpeg clevis, (2)	50500890
	3	Rider footpeg assembly, black (2)	50500951
		Rider footpeg assembly, bronze (2)	50500953
	5	Footpeg attachment screw (2)	2708A
	6	Footpeg wear peg, black (2)	50501482
50501558 50501559	8	Stainless steel screw (4)	10200662
	2	Passenger footpeg clevis, short (2)	50501557
	4	Passenger footpeg assembly short, black (2)	50501556
		Passenger footpeg assembly short, bronze (2)	50501555
	5	Footpeg attachment screw (2)	2708A
All Kits	7	Insert, footpeg, black	50500941
		Insert, footpeg, bronze	50500942