



INSTRUCTIONS

J06572

2018-08-21



FXDR PASSENGER FOOTPEG ADAPTOR KIT

GENERAL

Kit Number

505001128

Models

For model fitment information, see the P&A Retail Catalog or the Parts and Accessories section of www.harley-davidson.com (English only).

Installation Requirements

Proper installation of passenger foot pegs requires the purchase of passenger foot peg supports and foot pegs.

Kit Contents

See Figure 1 and Table 1.

INSTALLATION

Right Side

1. Remove and discard the black plastic hole plug in the frame, just above the swingarm pivot nut.
2. Obtain the right-side passenger support bracket (3) and one mount screw (2) from the kit. Install the bracket to the frame, ensuring the contours of the back side of the bracket follow the contour of the frame. Tighten the screw.
Torque: 61–68 N·m (45–50 ft-lbs)
3. Install the selected foot peg support and foot peg kits. Refer to the instruction sheets in those kits for proper installation.

NOTE

Foot pegs must be installed in the bracket with the rounded side of the mounting end inboard. When foot pegs are properly installed, foot pegs will fold upward and toward the rear of the motorcycle.

⚠ WARNING

Footrests must fold up and toward rear of motorcycle if struck. Failure to set footrests to fold up and back could result in death or serious injury. (00366a)

Left Side

1. Remove and discard the black plastic hole plug in the frame, just above the swingarm pivot nut.
2. Obtain the left-side passenger support bracket (4) and one screw (2) from the kit. Install the bracket over the rear brake line clamp. Tighten the screw.
Torque: 61–68 N·m (45–50 ft-lbs)
3. Install the selected foot peg support and foot peg kits. Refer to the instruction sheets in those kits for proper installation.

SERVICE PARTS

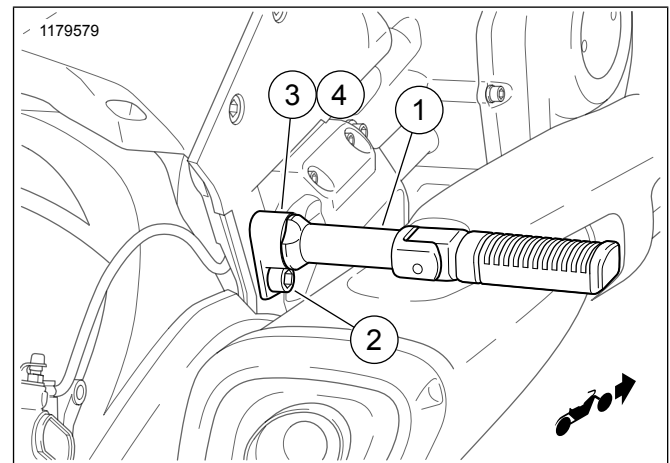


Figure 1. Service Parts: Passenger Footpeg Adaptor Kit

Table 1. Service Parts Table

Item	Description (Quantity)	Part Number
1	Passenger footpeg kit, black	50500769
2	Screw (2)	4687
3	Passenger footpeg support bracket, right	50501129
4	Passenger footpeg support bracket, left	50501130

