



INSTRUCTIONS

J00592

2018-08-21



CHROME AND RUBBER HANDLEBAR GRIPS

GENERAL

Kit Number

56241-96, 56246-96, 56258-96, 56263-96, 56100355

Models

For model fitment information, see the P&A Retail Catalog or the Parts and Accessories section of www.harley-davidson.com (English only).

Installation Requirements

Requires separate purchase of ThreeBond GRIPLOCK or equivalent and LOCTITE 770 PRISM PRIMER (Loctite 770).

▲ WARNING

Rider and passenger safety depend upon the correct installation of this kit. Use the appropriate service manual procedures. If the procedure is not within your capabilities or you do not have the correct tools, have a Harley-Davidson dealer perform the installation. Improper installation of this kit could result in death or serious injury. (00333b)

NOTE

This instruction sheet refers to service manual information. A service manual for this year/model motorcycle is required for this installation and is available from a Harley-Davidson dealer.

INSTALLATION

▲ WARNING

Do not lubricate left handlebar grip before installation. Lubricating grip can cause it to come off while riding, which could result in loss of control and death or serious injury. (00315a)

1. Remove existing left handlebar grip by carefully cutting it away from the handlebar using a sharp blade or knife.
2. Remove end cap from left handgrip, if applicable.
3. Remove right grip/throttle sleeve assembly. See service manual.
4. After removal, make sure that left and right handlebar ends are clean and smooth.

NOTE

Make sure surfaces to be glued are clean, dry and free from oil or new application may not adhere as desired. Observe the following warnings when using the adhesive contained in this kit.

5. Install **new** throttle sleeve to handlebar. See service manual.

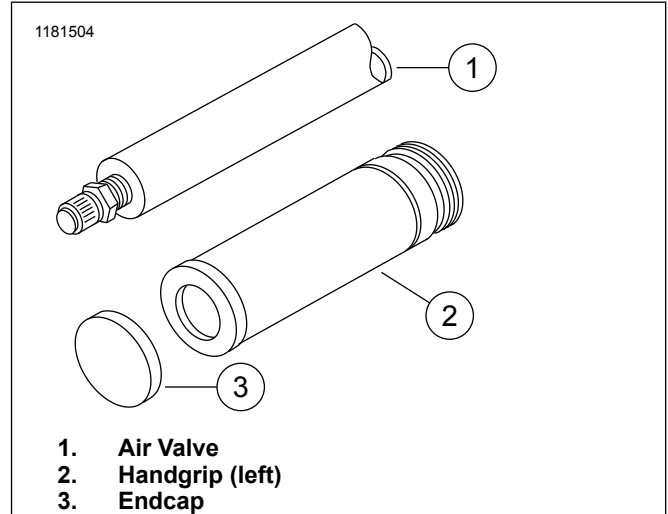


Figure 1. Aligning Left Grip with Air Valve Ends

6. See Figure 1. For models with handlebar mounted air valve (1) on left handlebar, move switch housing, if necessary. This will ensure proper fitting of grip end cap (3).

NOTE

Before installing left handlebar grip, remove endcap to prevent trapping air.

7. Install left handlebar grip (2).

NOTE

Adhesive sets in 4 minutes and cures in 24 hours.

- a. Prepare left grip end of the handlebar with emery cloth.
- b. Clean left grip end of the handlebar with acetone.
- c. Apply primer to the inside of the **new** hand grip. LOCTITE 770 PRISM PRIMER (Loctite 770)
- d. Remove excess primer. Wait 2 minutes for the primer to set.
- e. Apply adhesive, ThreeBond GRIPLOCK or equivalent, to the inside of the **new** hand grip.
- f. Install **new** hand grip with a twisting motion, ending with cosmetic features properly positioned.



SERVICE PARTS

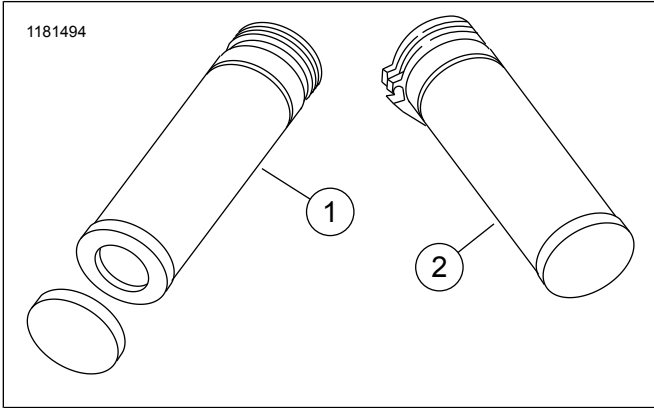


Figure 2. Service Parts: Handlebar Grips

Table 1. Service Parts: Handlebar Grips

Kit	Item	Description (Quantity)	Part Number
Kit 56241-96	1	Left grip	56244-96
	2	Right grip, throttle	56245-96
Kit 56246-96	1	Left grip	56247-96
	2	Right grip, throttle	56245-96
Kit 56258-96	1	Left grip	56261-96
	2	Right grip, throttle	56262-96
Kit 56263-96	1	Left grip	56264-96
	2	Right grip, throttle	56262-96
56100355	1	Left grip	56667-04
	2	Right grip, throttle	56100075
Parts common to ALL Kits	Separate purchase required		
	3	Adhesive (not shown)	99839-95
	4	Cotton swab (not shown)	56009-95