



INSTRUCTIONS

J06697

2019-01-15



PREMIUM AMERICAN FLAG KIT

GENERAL

Kit Number

61400617

Models

For model fitment information, see the P&A Retail Catalog or the Parts and Accessories section of www.harley-davidson.com (English only).

NOTE

Flags are not intended for highway use. The construction of these flags will not hold up to the wind speeds seen at highway speeds. These flags are designed for parade use only.

Kit Contents

See Figure 1 and Table 1.

INSTALLATION

NOTE

This kit will only fit 1/2" round bar luggage racks.

1. Remove adhesive backer and adhere rubber collars (2) to inside curved surface of upper and lower clamps (3,4).
2. Place upper and lower clamps (3,4) into desired position over luggage rack.
3. Secure clamps (3,4) with screws (5). Tighten.
Torque: 4.3–6.1 N·m (3.2–4.5 ft-lbs)
4. Install flag (1) to underside of mast (6) (as shown).
5. Holding flat area (A) of mast (6) with wrench, tighten mast (6) in upper clamp (4).

NOTE

Verify that flag does not obstruct reflectors, lights or license plate after installation.



SERVICE PARTS

1272655

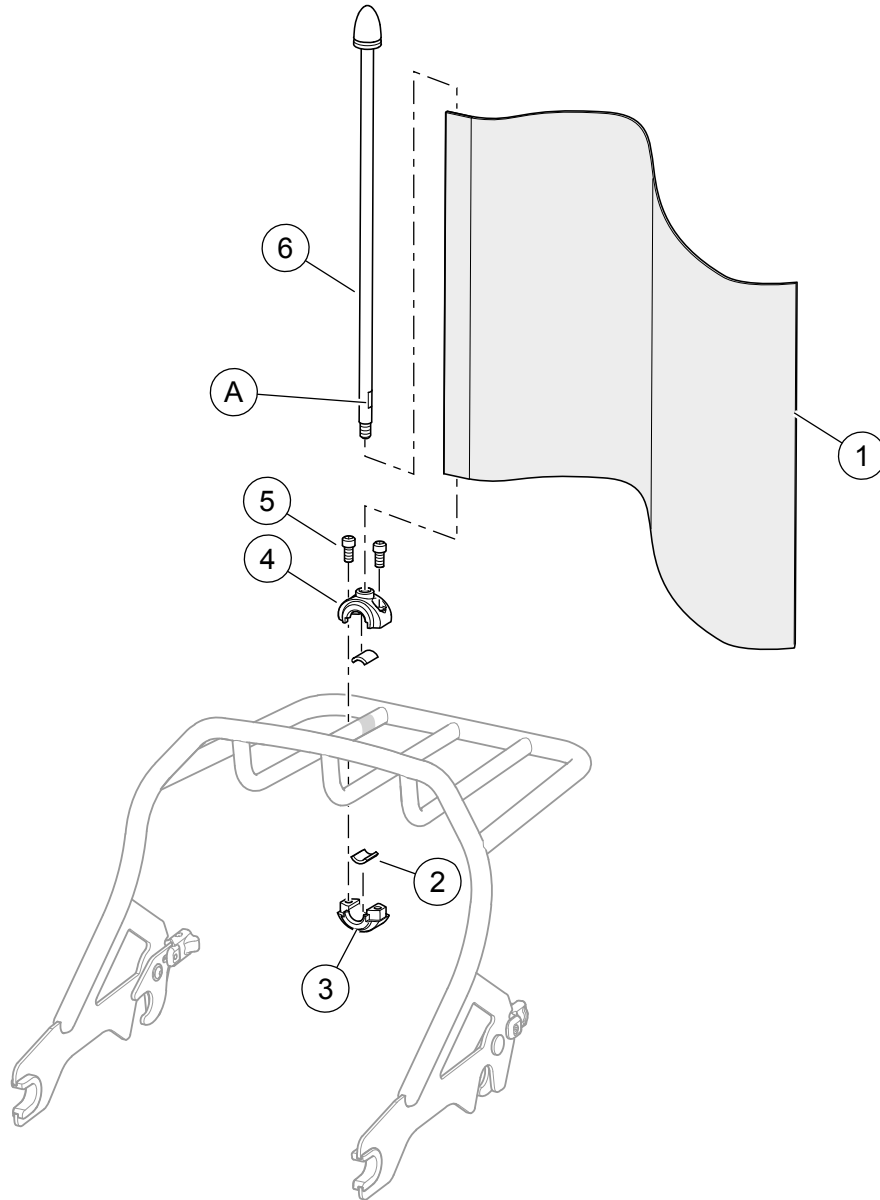


Figure 1. Premium American Flag Kit

Table 1. Kit Contents

Item	Description (Quantity)	Part Number
1	Flag	94625-98
2	Collar (2)	Not Sold Separately
3	Bottom clamp	Not Sold Separately
4	Top clamp	Not Sold Separately
5	Screw (2)	10200840
6	Mast	Not Sold Separately
A	Flat holding area	