



INSTRUCTIONS

J06601

2019-01-15



BUNGEE BAR KIT

GENERAL

Kit Number

50300233

Models

For model fitment information, see the P&A Retail Catalog or the Parts and Accessories section of www.harley-davidson.com (English only).

Installation Requirements

LOCTITE 243 MEDIUM STRENGTH THREADLOCKER AND SEALANT (BLUE) (99642-97)

▲ WARNING

Rider and passenger safety depend upon the correct installation of this kit. Use the appropriate service manual procedures. If the procedure is not within your capabilities or you do not have the correct tools, have a Harley-Davidson dealer perform the installation. Improper installation of this kit could result in death or serious injury. (00333b)

NOTE

This instruction sheet references service manual information. A service manual for your model motorcycle is required for this installation and is available from a Harley-Davidson dealer.

Kit Contents

See Figure 7 and Table 1.

PREPARE

- See Figure 1. Lift seat cowl (1) from back and remove.
- Remove screws (2) and seat.
- See Figure 2. Remove side covers.
 - Remove screws (3) and washers (2).
 - Remove right side cover.
 - Repeat procedure for left side cover.
- See Figure 3. Remove tail section.
 - Leave screws (1) installed.
 - Remove screws (3, 4).
 - Gently** remove tail section and fender (2).

- See Figure 4. Remove inner fender (3).
 - Remove five screws (4).

INSTALLATION

▲ WARNING

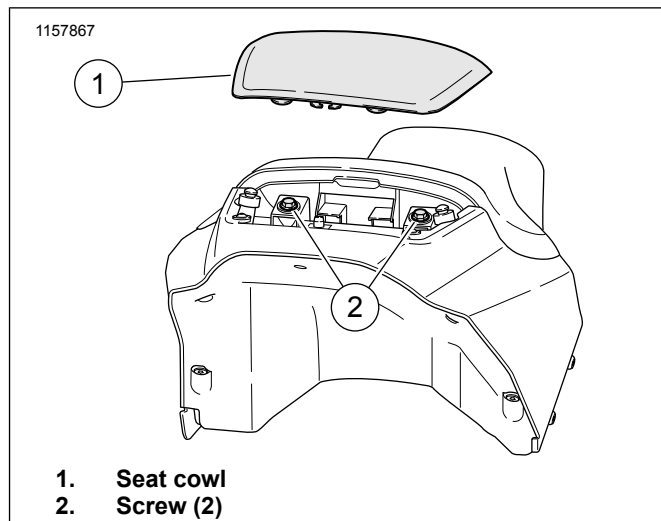
Improper loading of cargo or installation of accessories can affect motorcycle stability and handling, which could result in death or serious injury. (00121a)

Use the following guidelines when equipping a motorcycle or carrying passengers and cargo.

- Keep cargo weight concentrated close to the motorcycle and as low as possible to minimize the change in the motorcycle's center of gravity. Distribute weight evenly and do not load bulky items too far behind the rider or add weight to the handlebars or front forks.
- Be sure cargo is secure and will not shift while riding. Periodically recheck load.
- Make sure that the tail light is not covered when securing bags on the bungee bar and tail bag.

- See Figure 4. Drill four holes in the inner fender (3).
 - Locate the four bungee bar holes.
 - Drill 5/8 (0.625) in. holes from backside of inner fender. Use of a step drill is recommended.
 - Deburr holes as needed.
- See Figure 5. Install step washer (2).
 - Peel adhesive backing off of step washer (2)
 - Place one on both sides of each of the four drilled holes.
- See Figure 4. Install inner fender (3) to fender support (2).
 - Chase threads in top hole of fender support (2).
 - Clean threads on screw (4).
 - Apply threadlocker to screw (4).
LOCTITE 243 MEDIUM STRENGTH
THREADLOCKER AND SEALANT (BLUE)
(99642-97)
 - See Figure 6. Install top screw (1). Tighten.
Torque: 2.7–5.4 N·m (2–4 ft-lbs) *Inner fender screw*

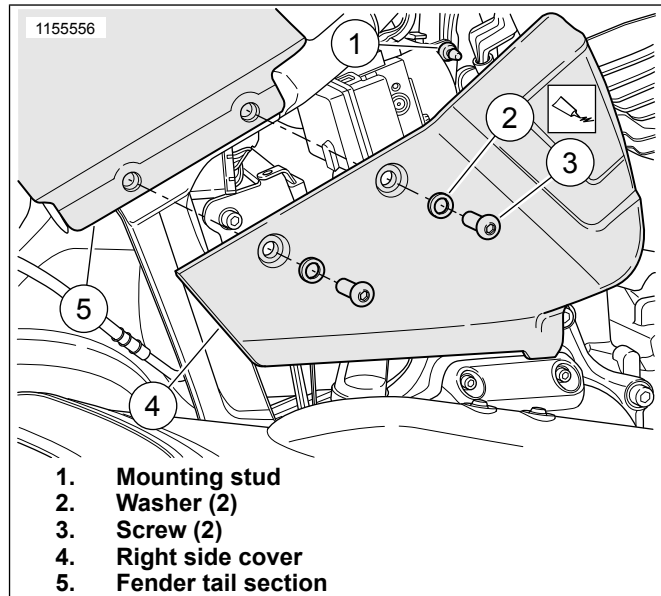
4. See Figure 5. Install right bungee bar (3).
 - a. Apply threadlocker to screws (4, 5).
LOCTITE 243 MEDIUM STRENGTH
THREADLOCKER AND SEALANT (BLUE)
(99642-97)
 - b. Position bungee bar (3) to inner fender.
 - c. Install screws (4, 5). Tighten.
Torque: 9.5–11 N·m (7–8 ft-lbs) *Bungee bar screw*
5. See Figure 6. Repeat step 4 for left bungee bar (5).



1. **Seat cowl**
2. **Screw (2)**

Figure 1. Seat Cowl

6. See Figure 3. **Gently** install tail section.
 - a. Position tail section with fender (2).
 - b. Install screws (3).
Torque: 23–27.1 N·m (17–20 ft-lbs) *Tail section rear screws*
 - c. Install screws (4).
Torque: 16.3–19 N·m (12–14 ft-lbs) *Tail section forward screws*



1. **Mounting stud**
2. **Washer (2)**
3. **Screw (2)**
4. **Right side cover**
5. **Fender tail section**

Figure 2. Right Side Cover

7. See Figure 2. Install side covers.
 - a. Install right side cover.
 - b. Install washers (2) and screws (3). Tighten.
Torque: 6.8–9.5 N·m (60–84 **in-lbs**) *Side cover screw*
 - c. Repeat procedure for left side cover.
8. Install seat.
 - a. Engage seat tongue in frame bracket.
 - b. See Figure 1. Install screws (2). Tighten.
Torque: 9.5–12.2 N·m (84–108 **in-lbs**)
9. After installing seat, pull up on seat to verify that it is secure.
10. See Figure 1. Align cowl and press down to secure.

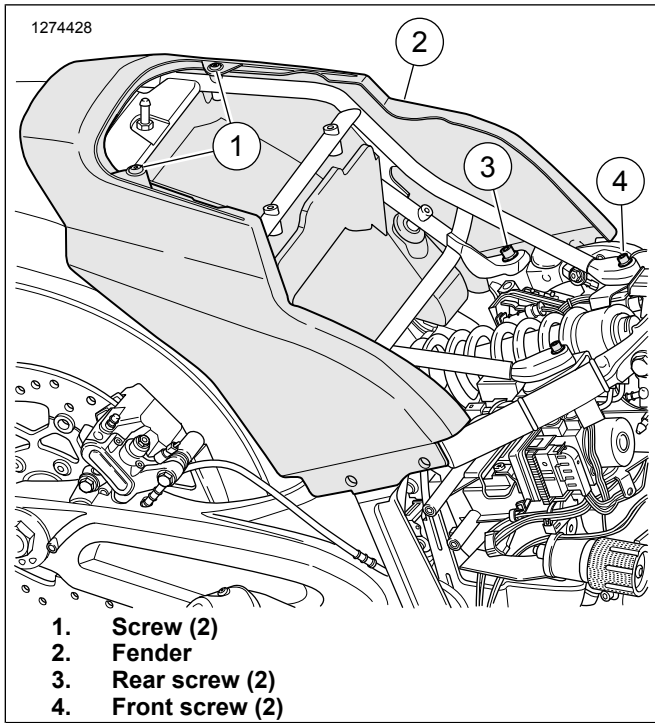


Figure 3. Tail Section

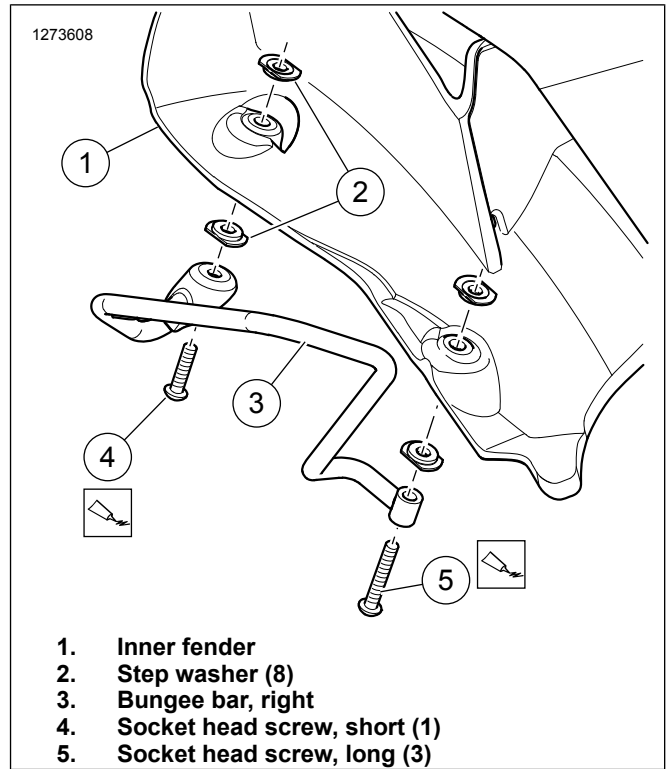


Figure 5. Bungee Bar Assembly

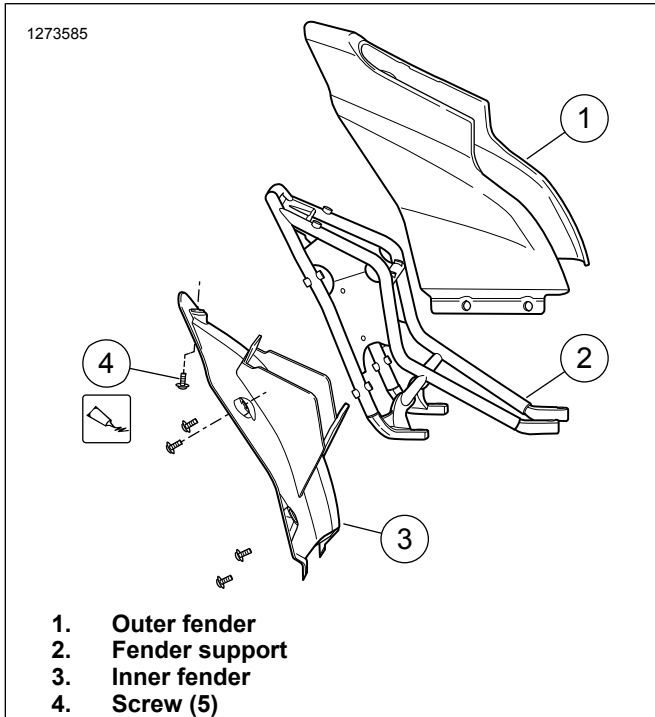


Figure 4. Inner Fender

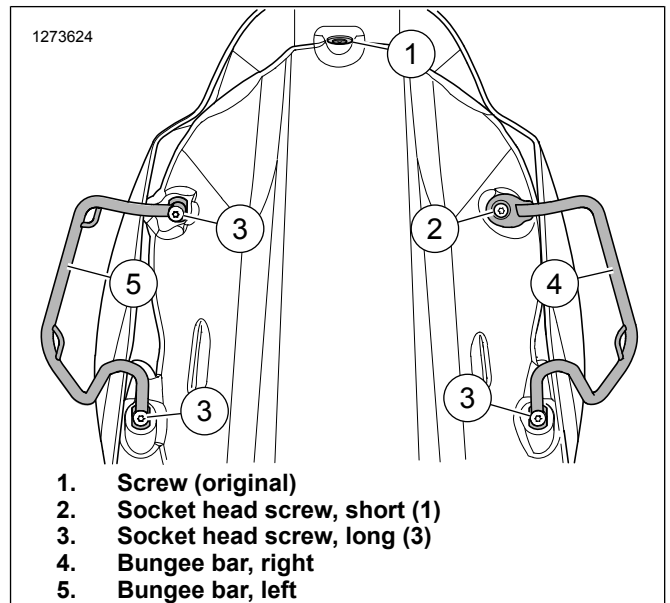


Figure 6. Bungee Bar Installed

SERVICE PARTS

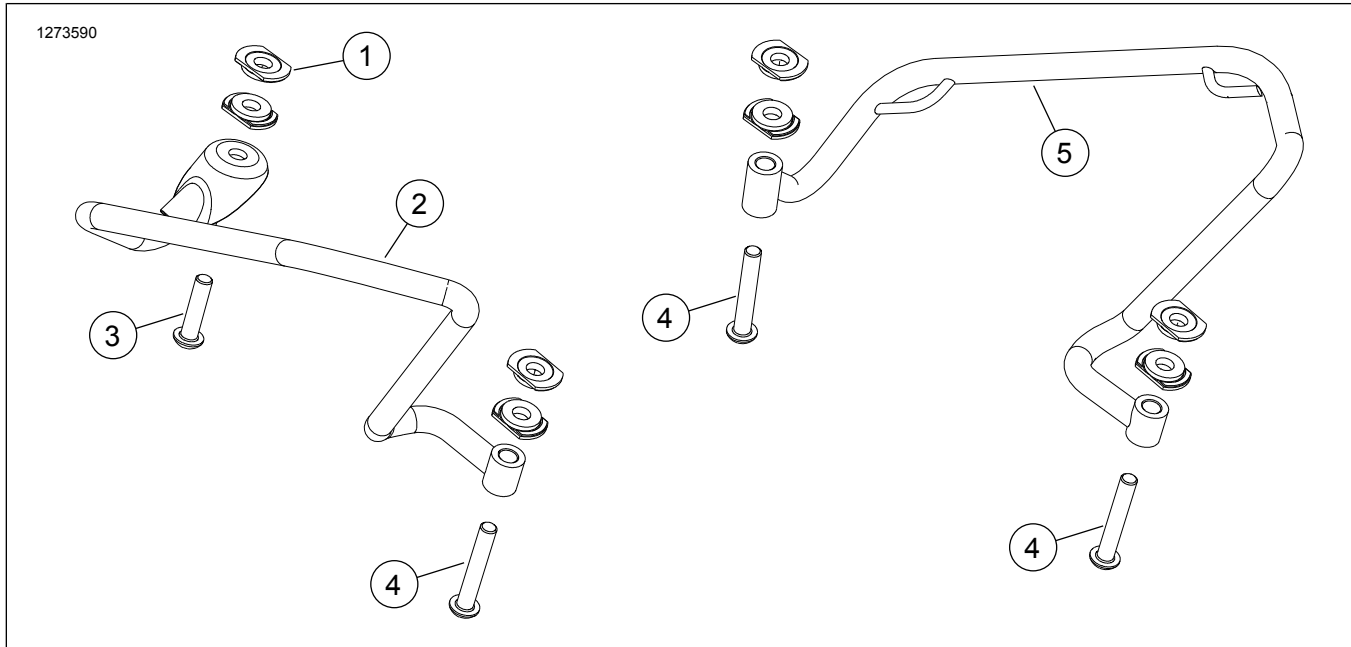


Figure 7.

Table 1. Service Parts Table

Item	Description (Quantity)	Part Number
1	Step washer (8)	50300236
2	Bungee bar, right	Not sold Separately
3	Socket head screw, short (1)	10200855
4	Socket head screw, long (3)	10200735
5	Bungee bar, left	Not sold Separately