



INSTRUCTIONS

J04082

2022-05-26



SECURITY SYSTEM KITS

Reason for Revision

Part and kit number changes.

GENERAL

Kit Number

68200-07A, 68207-07A, 69721-07, 69722-07, 91684-08A, 41000021G, 41000043G, 41000086F, 41000087F

Models

For model fitment information, see the P&A Retail Catalog or the Parts and Accessories section of www.harley-davidson.com (English only).

Additional Parts Required

FL Touring models equipped with a TLE/ TLE Ultra Sidecar will require the additional installation of a Bank Angle Switch Kit (88115-03) and is available for separate purchase. See a Harley-Davidson dealer.

NOTE

This instruction sheet references service manual and electrical diagnostic manual information. A service manual and an electrical diagnostic manual are required for this installation and are available from a Harley-Davidson dealer.

Kit Contents

⚠ WARNING



Contains button or coin cell battery. Hazardous if swallowed, can result in death or serious injury. (13807a)

See Figure 1 and Table 1.

INSTALLATION

1. Remove the original equipment (OE) Turn Signal Module (TSM) or Body Control Module (BCM) following the instructions in the service manual.
2. Install the Bank Angle Sensor (BAS) on sidecar vehicles.
3. Install the **new** turn signal/security module (TSSM) (7), Hands Free Security Module (HFSM) (1) or BCM (9, 11, 12) from this kit, following the instructions in the service manual. Configure the Trike or sidecar TSSM, HFSM or BCM to "Side Car Enabled" using Digital Technician.

4. Install the Hands Free Security Module (HFSM) Antenna and antenna mount (6) if necessary, using the service manual instructions.

⚠ WARNING

Be sure that all lights and switches operate properly before operating motorcycle. Low visibility of rider can result in death or serious injury. (00316a)

ACTUATION

1. See a Harley-Davidson dealer to activate the key fob to the TSSM, HFSM or BCM.

NOTE

You can activate the TSSM fob by referring to the procedure in the electrical diagnostic manual.

TRIKE AND SIDECAR CONFIGURATION (FL TOURING MODELS ONLY)

⚠ WARNING

Only Touring Harley-Davidson Motorcycles are suitable for sidecar use. Consult a Harley-Davidson dealer. Use of motorcycles other than Touring models with sidecars could result in death or serious injury. (00040a)

NOTE

FL Touring Models equipped with TLE/TLE-Ultra Sidecar require the installation of a Bank Angle Sensor (88115-03). Failure to install and configure a Bank Angle Sensor may result in death or serious injury.

Sidecar and Trike configuration of the security system requires the use of a Digital Technician. Consult your Harley-Davidson dealer or the sidecar or Trike service manual for complete details.

On vehicles equipped with a sidecar, the security system **must be reconfigured** from the default solo vehicle setting to the sidecar setting.

- If the sidecar is later removed from the vehicle, the security system **must be reconfigured** from the sidecar setting to the solo vehicle setting. Sidecars and Trikes must always have the Bank Angle Sensor installed.
- If a sidecar is added to the vehicle at a later date, the security system **must be reconfigured** from the solo vehicle setting to the sidecar setting and **will require installation** of the Bank Angle Sensor Switch Kit.



SERVICE PARTS

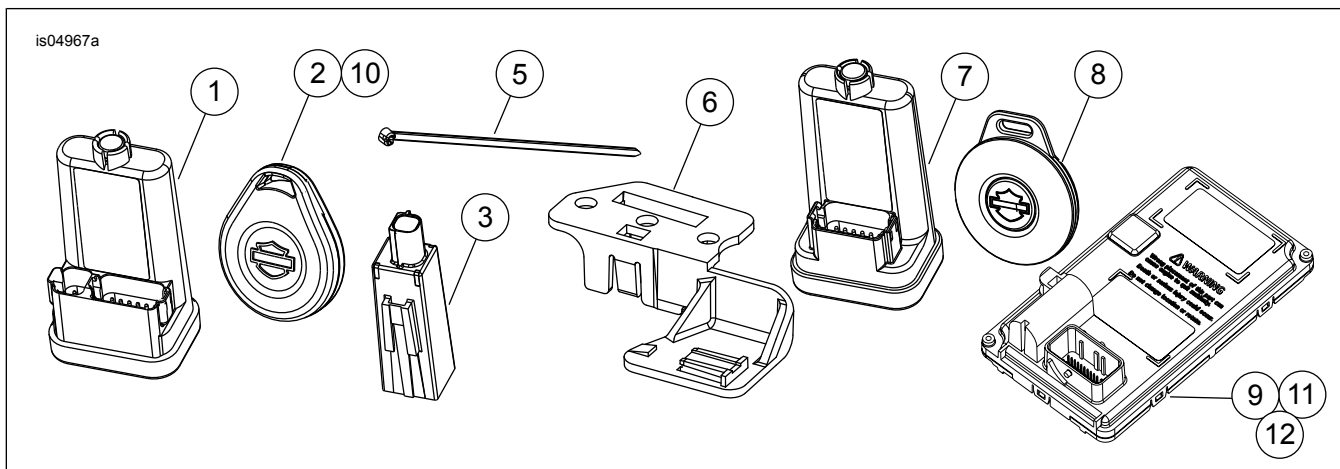


Figure 1. Service Parts: Security System Kits

Table 1. Security System Kits

| Kit | Item | Description (Quantity) | Part Number |
|---------------|------|------------------------------------|-------------|
| Kit 68200-07A | 1 | Module, security system | 68924-07 |
| | 2 | Smart security system key fob | 68926-07 |
| | 3 | Antenna module | 68956-07 |
| | 4 | Antenna jumper harness (not shown) | 70617-07 |
| | 5 | Cable strap (2) | 10065 |
| Kit 68207-07A | 1 | Module, security system | 68925-07 |
| | 2 | Smart security system key fob | 68926-07 |
| | 3 | Antenna module | 68956-07 |
| | 4 | Antenna jumper harness (not shown) | 70617-07 |
| | 6 | Antenna mount | 70401-07 |
| Kit 91684-08A | 1 | Module, security system | 69976-08 |
| | 2 | Smart security system key fob | 68926-07 |
| | 3 | Antenna module | 68956-07 |
| | 4 | Antenna jumper harness (not shown) | 70617-07 |
| Kit 69721-07 | 7 | Module, security system | 68922-07 |
| | 8 | Smart security system key fob | 68939-00 |
| Kit 69722-07 | 7 | Module, security system | 68923-07 |
| | 8 | Smart security system key fob | 68939-00 |
| Kit 4100021G | 2 | Smart security system key fob | 90300111 |
| | 3 | Antenna module | 68956-07 |
| | 9 | Body control module | 41000349F |
| Kit 4100043G | 3 | Antenna module | 68956-07 |
| | 10 | Smart security system key fob | 90300112 |
| | 11 | Body control module | 41000350F |
| Kit 4100086F | 3 | Antenna module | 68956-07 |
| | 2 | Smart security system key fob | 90300112 |
| | 12 | Body control module | 41000342F |
| Kit 4100087F | 3 | Antenna module | 68956-07 |
| | 2 | Smart security system key fob | 90300111 |
| | 12 | Body control module | 41000341F |