



INSTRUCTIONS

J05994

2019-01-15



LED HEADLAMP KIT

Table 1. General Information

Kits	Suggested Tools	Skill Level ⁽¹⁾	Time
67700241, 67700242, 67700243, 67700244, 67700264, 67700265, 67700266, 67700267	Safety Glasses, Torque Wrench		1 hour

(1) Tightening to torque value or other moderate tools and techniques required

KIT CONTENTS

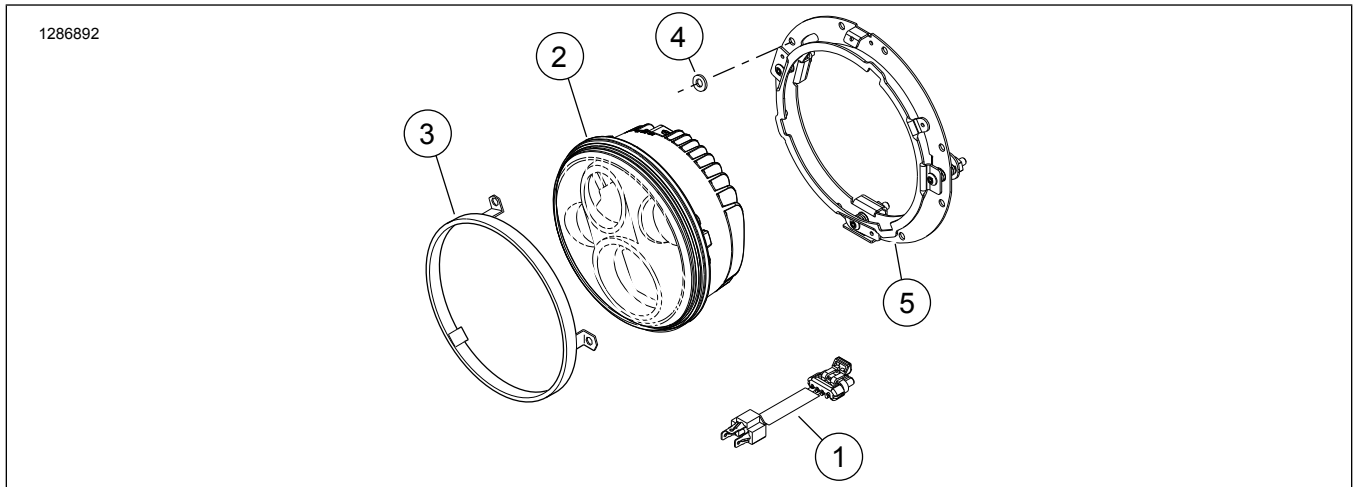


Figure 1. Kit Contents: LED Headlamp Kit



Table 2. Kit Contents: LED Headlamp Kit

<input checked="" type="checkbox"/>	Item	Qty	Description	Part No.	Notes
Kits 67700241 and 67700265					
<input type="checkbox"/>	1	1	Wire harness, LED headlamp	69201070	
<input type="checkbox"/>	2	1	LED headlamp (chrome)	Not sold separately	
Kits 67700242 and 67700267					
<input type="checkbox"/>	1	1	Wire harness, LED headlamp	69201070	
<input type="checkbox"/>	2	1	LED headlamp (black)	Not sold separately	
<input type="checkbox"/>	3	1	Retaining ring (black)	67700068	
Kits 67700243 and 67700264					
<input type="checkbox"/>	1	1	Wire harness, LED headlamp	69201070	
<input type="checkbox"/>	2	1	LED headlamp (chrome)	Not sold separately	
<input type="checkbox"/>	4	8	Washer	6717	
<input type="checkbox"/>	5	1	Mounting ring	68124-04B	
Kits 67700244 and 67700266					
<input type="checkbox"/>	1	1	Wire harness, LED headlamp	69201070	
<input type="checkbox"/>	2	1	LED headlamp (black)	Not sold separately	
<input type="checkbox"/>	3	1	Retaining ring (black)	67700068	
<input type="checkbox"/>	4	8	Washer	6717	
<input type="checkbox"/>	5	1	Mounting ring	68124-04B	

GENERAL

Models

For model fitment information, see the P&A retail catalog or the Parts and Accessories section of www.harley-davidson.com (English only).

Verify that you are using the most current version of the instruction sheet which is available at: www.harley-davidson.com/isheets.

Contact Harley-Davidson Customer Support Center at 1-800-258-2464 (U.S. only) or 1-414-343-4056.

Installation Requirements

▲ WARNING

Rider and passenger safety depend upon the correct installation of this kit. Use the appropriate service manual procedures. If the procedure is not within your capabilities or you do not have the correct tools, have a Harley-Davidson dealer perform the installation. Improper installation of this kit could result in death or serious injury. (00333b)

Separate purchase and installation of extra parts or accessories could be required for proper installation of this kit.

2014 and later FLHR, FLHRC and FLHRSE Models require kit Part No. 69200897.

2006-2010 FLHTCUSE Models require harness jumper Part No. 71628-04.

NOTE

This instruction sheet refers to service manual information. A service manual for this year/model motorcycle is required for this installation. One is available from a Harley-Davidson dealer.

REMOVAL

▲ WARNING

To prevent accidental vehicle start-up, which could cause death or serious injury, disconnect battery cables (negative (-) cable first) before proceeding. (00307a)

▲ WARNING

Disconnect negative (-) battery cable first. If positive (+) cable should contact ground with negative (-) cable connected, the resulting sparks can cause a battery explosion, which could result in death or serious injury. (00049a)

▲ WARNING

To prevent accidental vehicle start-up, which could cause death or serious injury, remove main fuse before proceeding. (00251b)

1. Remove main fuse. See owner's manual.
2. Remove seat, if necessary. See owner's manual.
3. Follow the instructions to replace the headlamp, removing any trim rings and hardware. See owner's manual.
 - **All Models except Touring:** Save the hardware, retaining ring and trim ring for installation.
 - **Touring Models:** On black version, use the black retainer ring included in the kit.
 - **FL Softail and Freewheeler™ Models:** Do not use the black retainer ring included in the kit.
4. **Touring Models:** If motorcycle has a mounting ring: Remove the mounting ring and mounting ring hardware. Discard the mounting ring and headlamp.
5. Disconnect the harness. To remove the headlamp:
 - **2006-2010 FLHTCUSE Models:** Unplug cigar lighter and garage door opener to remove existing jumper harness.
 - **All other Models:** Remove existing jumper harness.

INSTALL

▲ WARNING

Connect positive (+) battery cable first. If positive (+) cable should contact ground with negative (-) cable connected, the resulting sparks can cause a battery explosion, which could result in death or serious injury. (00068a)

1. If motorcycle has a mounting ring, see owner's manual to install the **new** mounting ring.
2. Connect the harness to headlamp:
 - **2014 and earlier models:** Use supplied wire harness to connect to LED headlamp and harness.
 - **2014 and later FLHR, FLHRC and FLHRSE Models:** Require kit Part No. 69200897.
 - **2006-2010 FLHTCUSE Models:** Use harness jumper Part No. 71628-04 to reconnect the cigar lighter, garage door opener and headlamp.
3. Install headlamp. See owner's manual.
4. Install seat, if removed. After installing seat, pull up on the seat to verify that it is secure. See owner's manual.
5. Install main fuse. See owner's manual.

Headlamp Alignment Procedure

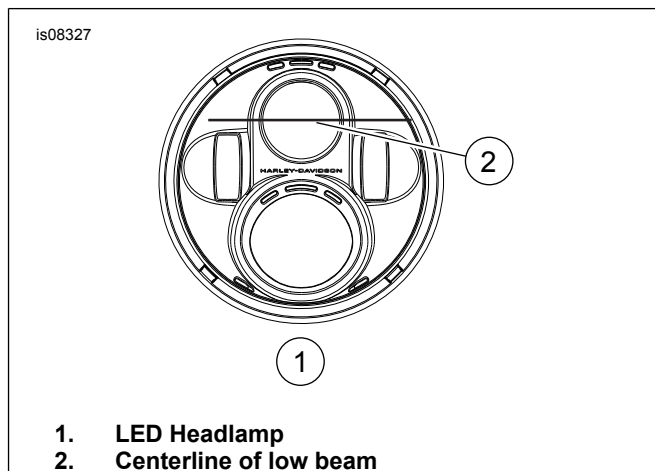


Figure 2. LED Headlamp Configuration

NOTE

The alignment procedure for an LED headlamp is performed on both the **low beam** and the **high beam**. Read these instructions thoroughly to align the LED headlamp.

1. Check tire pressure. See owner's manual.
2. Adjust rear shock preload for rider and intended load.
3. Fill fuel tank or add an equal amount of ballast.

NOTE

Choose a wall in minimum light.

4. See Figure 3. Park the motorcycle on a line (1) perpendicular to the wall.

NOTE

The weight of the rider compresses the suspension slightly. Have a person whose weight is roughly the same as the principal rider sit on the motorcycle.

5. Position motorcycle with front axle specified distance (3) from wall.

Distance: 25 ft (7.6 m)
6. Draw a vertical centerline (2) on the wall aligned with line (1).
7. See Figure 3. With the motorcycle loaded, point the front wheel straight forward at wall.
8. Measure the distance (4) from the floor to the center of the **low beam** bulb.
9. Record this measurement.
10. On the wall, draw a horizontal line (5) through the vertical line (2) at the same height measurement as the low beam bulb centerline.

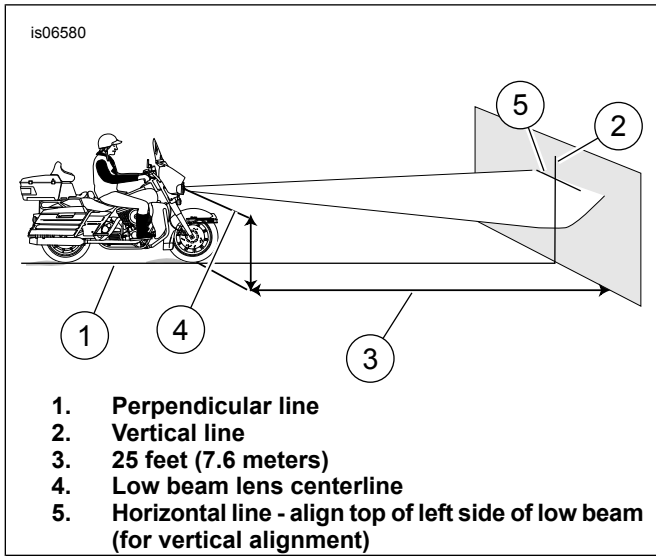


Figure 3. Checking Headlamp Alignment

Alignment of High Beam (Left-to-Right Alignment)

1. See Figure 4. With vehicle laden and upright, point the front wheel straight forward at wall.
2. Turn on the **high beam**. Align the center of the **high beam** hot spot with the intersection of the horizontal and vertical lines (3).

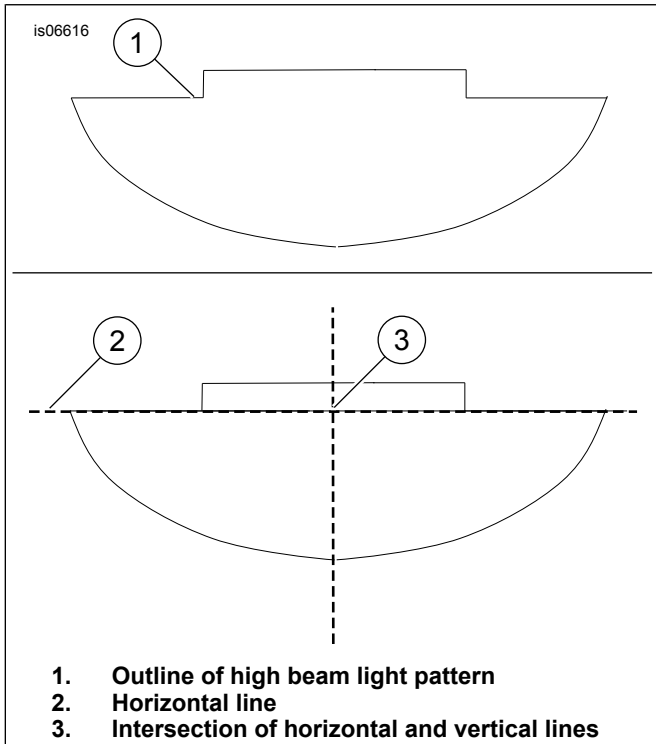


Figure 4. Alignment of Headlamp High Beam

Alignment of Low Beam (Vertical Alignment)

1. See Figure 5. Align the left side of the horizontal line of the **low beam** light pattern (3) with horizontal line (2) drawn on the wall.

2. If necessary, adjust the headlamp position by following the adjustment procedure in owner's manual.

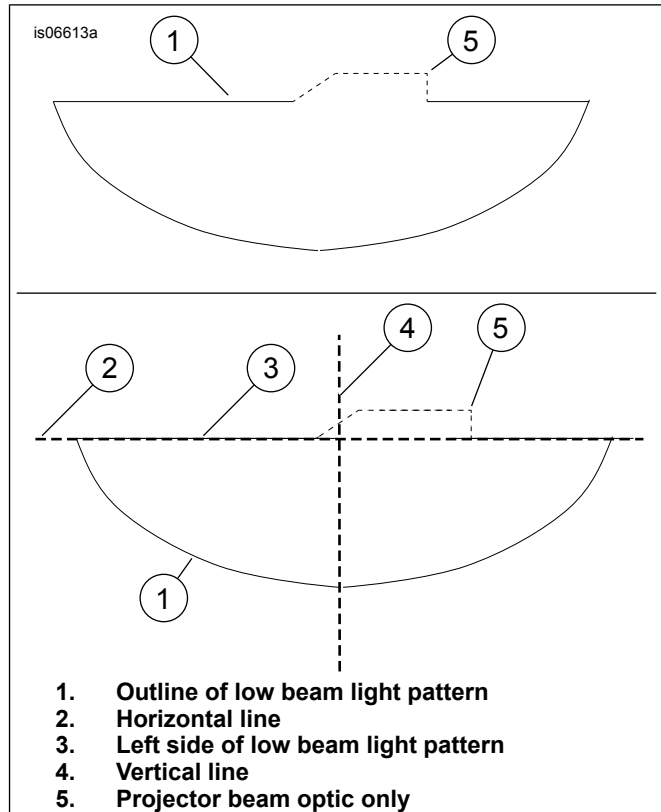


Figure 5. Alignment of Headlamp Low Beam