



INSTRUCTIONS

J03704

2019-01-15



REAR DETACHABLE DOCKING KIT

GENERAL INFORMATION

Table 1. General Information

Kits	Suggested Tools	Skill Level ⁽¹⁾	Time
53804-06	Safety Glasses, Torque Wrench		1 hour

(1) Tightening to torque value or other moderate tools and techniques required

KIT CONTENTS

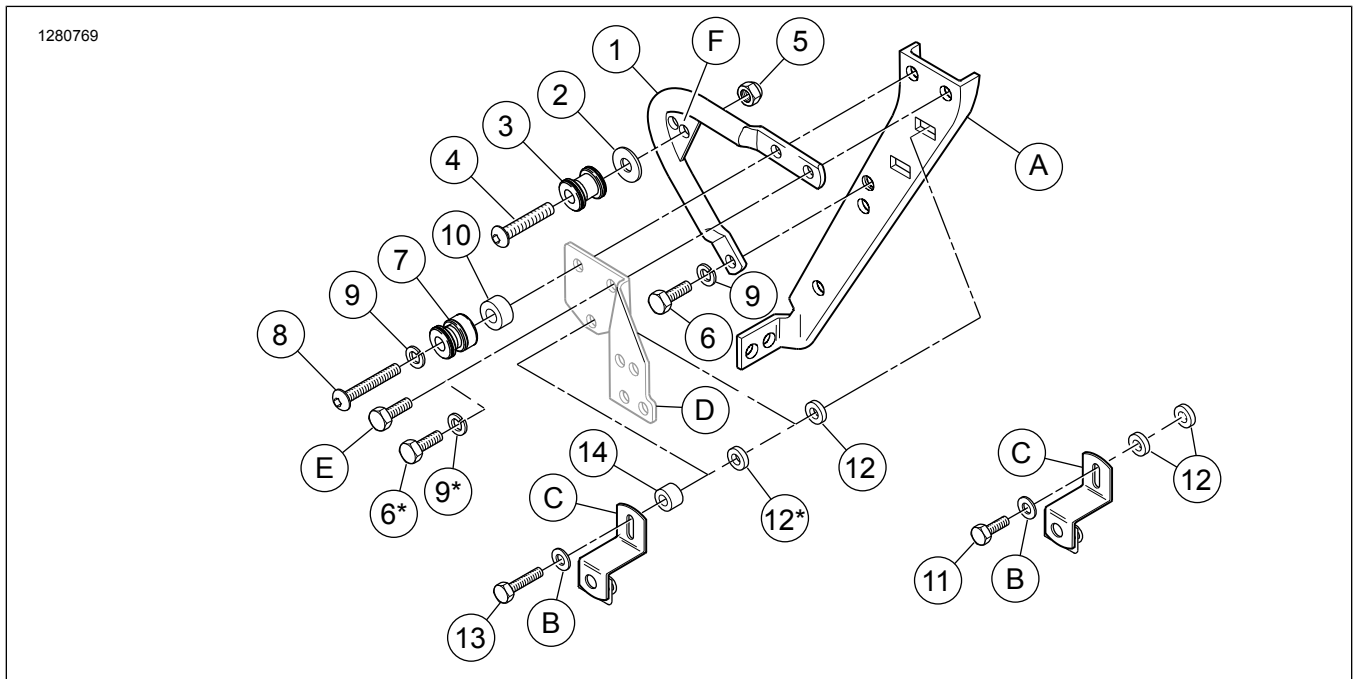


Figure 1. Kit Contents: Rear Docking Kit

Table 2. Kit Contents: Rear Docking Kit

<input checked="" type="checkbox"/>	Item	Qty	Description	Part No.	Notes
<input type="checkbox"/>	1	1	Mounting bracket, rear, right side	53705-95	
<input type="checkbox"/>		1	Mounting bracket, rear, left side (Not Shown)	53706-95	
<input type="checkbox"/>	2	2	Flat washer, 3/8 in. (9.5 mm) I.D.	53129-96	
<input type="checkbox"/>	3	2	Docking point, rear	53684-96A	
<input type="checkbox"/>	4	2	Screw, button head, hex socket, 3/8-16 x 1-1/2 in. (38.1 mm)	4127	25.8 N·m (19 ft-lbs)
<input type="checkbox"/>	5	2	Hex locknut, Nylok, thin, 3/8-16	7667	
<input type="checkbox"/>	6	4	Screw, hex head, 5/16-18 x 3/4 in. (19 mm)	3987	20.3–25.8 N·m (15–19 ft-lbs)
<input type="checkbox"/>	7	2	Docking point, front	53685-96	
<input type="checkbox"/>	8	2	Screw, button head, hex socket, 5/16-18 x 2-1/4 in. (57 mm)	4158	20.3–25.8 N·m (15–19 ft-lbs)
<input type="checkbox"/>	9	6	Lockwasher, split, 5/16, chrome	94081-90T	
<input type="checkbox"/>	10	2	Spacer, 5/16 in. I.D., 0.445 in. (11.3 mm) thick	53747-97	When Kit 53804-06 is installed alone.
<input type="checkbox"/>	10	2	Spacer, 5/16 in. I.D., 0.385 in. (9.8 mm) thick	53760-97	When Kit 53804-06 is installed with 53803-06.
<input type="checkbox"/>	11	2	Screw, hex head, 1/4-20 x 7/8 in. (22.2 mm)	3802W	FLHR, FLHT, or FLTR models only 13.6–19 N·m (10–14 ft-lbs)
<input type="checkbox"/>	12	4	Spacer, 1/4 in. I.D., 1/8 in. (3.2 mm) thick	5735	
<input type="checkbox"/>	13	2	Screw, hex head, 1/4-20 x 1-1/2 in. (38.1 mm) long	2872W	FLHRC or FLHRS models only 13.6–19 N·m (10–14 ft-lbs)
<input type="checkbox"/>	14	2	Spacer, 1/4 in. I.D., 9/16 in. (14.3 mm) thick	5839	FLHRC or FLHRS models only

* Components with asterisk are used when installing rear detachable docking kit alone.

Items mentioned in text, but not included in kit:

<input checked="" type="checkbox"/>	A	Original Equipment (OE) saddlebag support bracket
<input checked="" type="checkbox"/>	B	OE washer
<input checked="" type="checkbox"/>	C	OE saddlebag mounting bracket
<input checked="" type="checkbox"/>	D	Docking point bracket from Front Docking Kit (53803-06)
<input checked="" type="checkbox"/>	E	1 in. (25.4 mm) long screw from Front Docking Kit (53803-06)
<input checked="" type="checkbox"/>	F	Note: The rear docking point (Item 3) on each side must be mounted in the front (forward) hole.

NOTE

Verify all contents are present in the kit before installing or removing items from vehicle.

Ensure you are using the most current version of the instruction sheet which is available at: www.harley-davidson.com/isheets

Contact Harley-Davidson Customer Support Center at 1-800-258-2464 (U.S. only) or 1-414-343-4056.

GENERAL

Models

For model fitment information, please see the P&A Retail Catalog or the Parts and Accessories section of www.harley-davidson.com (English only).

NOTE

Figure 1 shows the docking point locations for the Front Docking Kit (53803-06) and Rear Docking Kit (53804-06).

These kits must be installed to allow for the proper mounting of certain Detachable Harley-Davidson Genuine Motor Accessories.

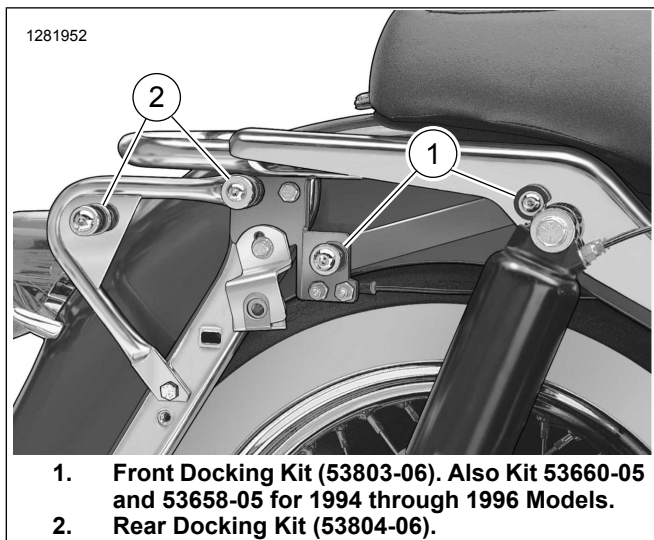


Figure 2. Docking Point Locations

PREPARE

1. Remove saddlebags. See owner's manual.
2. Remove main fuse. See owner's manual.
3. See Figure 1. Remove OE fasteners in upper two holes of saddlebag support bracket (A) on one side of vehicle. The stock fasteners thread into weld nuts in the support bracket.
4. Remove saddlebag mounting bracket (C). Save bracket and flat washer (B) for kit installation.

INSTALL REAR DOCKING KIT

NOTE

See Figure 2. The instructions and hardware used will differ, depending upon whether Rear Docking Kit (53804-06) is installed alone or with Front Docking Kit (53803-06).

1.

NOTE

See Figure 1. The rear docking point mounting brackets (1) are side specific. The mounting surfaces at each end of the tube are offset toward the fender.

Install mounting bracket (1).

- a. Place (left side or right side) mounting bracket (1) into position against saddlebag support bracket.
- b. **Without front docking kit:** Install mounting bracket (1) to saddlebag support bracket (A) through forward top hole and bottom hole, using screws (6) and lockwashers (9). Do not fully tighten screws.
- c. **With front docking kit:** Install mounting bracket (1) to saddlebag support bracket (A) through forward top hole using screw (E) and docking point bracket from front docking kit (D), and through bottom hole, using screws (6) and lockwashers (9). Do not fully tighten screws.

- d. Place lockwasher (9) onto threads of screw (8), followed by rear docking point (Item 3, with countersunk end toward fender) and spacer (10).
- e. **Without front docking kit:** Thread screw (8) into saddlebag support bracket (A) rearward top hole. Do not fully tighten.
- f. **With front docking kit:** Thread screw (8) through rearward top hole in mounting bracket (D) into saddlebag support bracket (A) rearward top hole. Do not fully tighten.
- g. Repeat for opposite side.

2. Install rear docking point (3).

- a. Place rear docking point (Item 3, with the countersunk end toward fender) onto threads of screw (4) and washer (2)
- b. Insert threads of screw (4) through forward hole at back of mounting bracket (1).
- c. Thread locknut (5) onto screw, but do not fully tighten.
- d. Repeat for opposite side.

3. Check the fit with detachable accessory to be used.

- a. The front slot in accessory should fully engage front docking point (7).
- b. If it does not, loosen docking hardware and push rear docking point assemblies forward until front slot is fully engaged.
- c. When accessory aligns well with docking points, tighten button head screws.
Torque: 26 N·m (19 ft-lbs)

4. If necessary, adjust mounting brackets (1) for proper width by gently squeezing or spreading brackets until properly aligned with accessory.

5. See Figure 1. Install the OE saddlebag mounting bracket as described in next section.

INSTALL SADDLEBAG MOUNTING BRACKET

Rear Docking Kit Installed Alone

1. For FLHR, FLHT, or FLTR models:

- a. Place washer (B) onto threads screw (11), then insert screw into slot in saddlebag mounting bracket (C).
- b. Slide two spacers (12) onto threads of screw (11), and loosely assemble to saddlebag support bracket (A).

2. *For FLHRC or FLHRS models:*
 - a. Place washer (B) onto threads of screw (13), then insert screw into slot in saddlebag mounting bracket (C).
 - b. Slide spacer (14) and two spacers (12) onto threads of screw (13), and loosely assemble to saddlebag support bracket (A).
3. Test fit saddlebag.
4. Secure screw. Tighten.
Torque: 13.6 N·m (10 ft-lbs)

Rear Docking Kit Installed With Front Docking Kit (53803-06)

1. *For FLHR, FLHT, or FLTR models:*
 - a. Place washer (B) onto threads of screw (11), then insert screw into slot in saddlebag mounting bracket (C) and lower mounting hole in docking point bracket (D) from Front Docking Kit (53803-06).
 - b. Slide spacer (12) onto threads of screw (11), and loosely assemble to saddlebag support bracket (A).
2. *For FLHRC or FLHRS models:*
 - a. Place washer (B) onto threads of screw (13), then insert screw into slot in saddlebag mounting bracket (C), through spacer (14) and lower mounting hole in docking point bracket (D) from Front Docking Kit (53803-06).
 - b. Slide spacer (12) onto threads of screw (13), and loosely assemble to saddlebag support bracket (A).
3. Test fit saddlebag.
4. Secure screw. Tighten.
Torque: 13.6 N·m (10 ft-lbs)

COMPLETE

1. Install main fuse. See owner's manual.
2. Install saddlebags. See owner's manual.