



# INSTRUCTIONS

J06071

2019-01-15



## PASSENGER FOOTBOARD KIT

### General Information

Table 1.

Kits	Suggested Tools	Skill Level*	Time
50500437, 50501151, 50501142, 50501143, 50501144, 50501145, 50501146, 50501147, 50501228, 50501266, 50501610, 50501611	Safety Glasses, Torque Wrench, Brass Drift, Rubber Mallet If Passenger footboards are not already installed, Passenger support bracket must be purchased separately		

(1) \*Tightening to torque value or other moderate tools and techniques required

### GENERAL

#### Models

For the most up-to-date model fitment information, see the product label or [www.harley-davidson.com](http://www.harley-davidson.com).

#### Kit Contents

Passenger Footboard Insert Kits 50501142, 50501143, 50501144, 50501146: See Figure 1 and Table 2.

Passenger Footboard Pan Kits 50501144, 50501147, 50501610, 50501611: See Figure 1 and Table 3.

Passenger Footboard Pan and Insert Kits 50500437, 50501266: See Figure 1 and Table 4.

Passenger Footboard Pan and Insert Kits 50501151, 50501228: See Figure 1 and Table 5.

### KIT CONTENTS

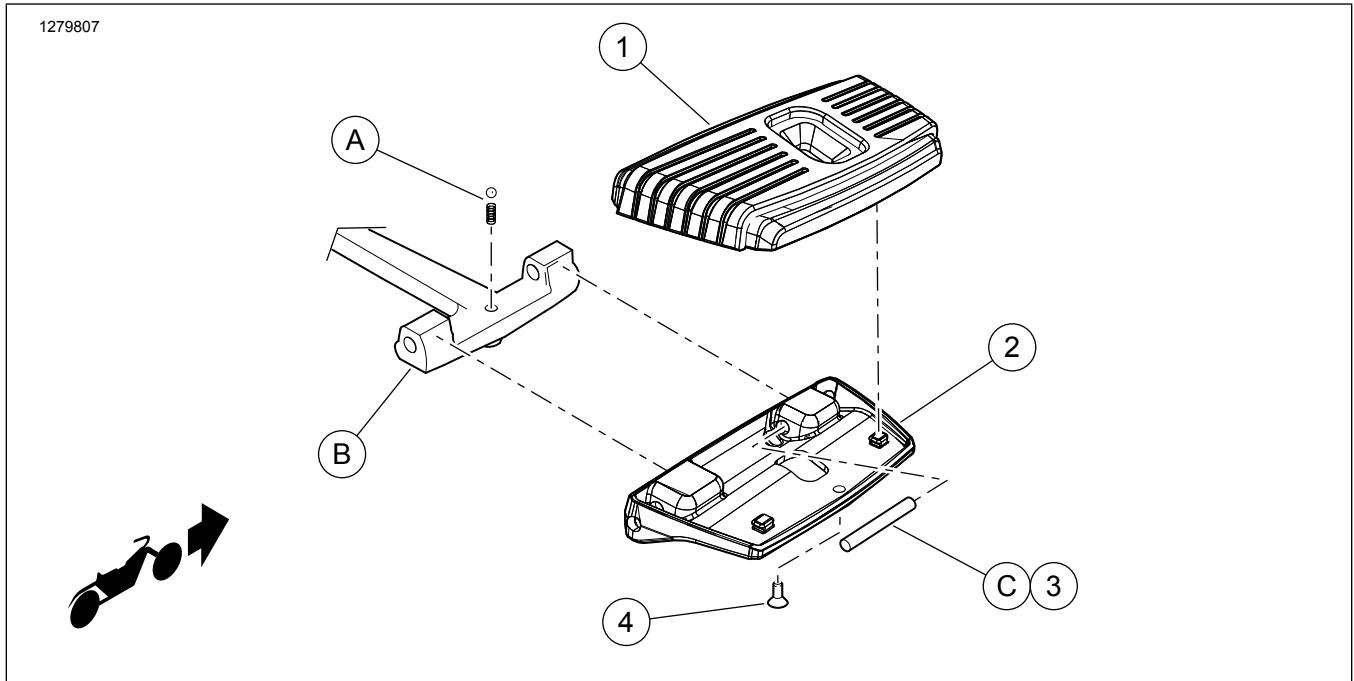


Figure 1. Kit Contents: Passenger Footboard Kits

**Table 2. Kit Contents: Passenger Footboard Insert Kits 50501142, 50501143, 50501145, 50501146**

<input checked="" type="checkbox"/>	Item	Qty	Description	Part No.	Notes
<input type="checkbox"/>	1	1	Insert, passenger right, Willie G Classic	50501256	Kit 50501142
<input type="checkbox"/>		1	Insert, passenger left, Willie G Classic	50501257	Kit 50501142
<input type="checkbox"/>		2	Insert, passenger, Classic Edge cut	50501258	Kit 50501143
<input type="checkbox"/>		1	Insert, passenger right, Willie G Skull	50501252	Kit 50501145
<input type="checkbox"/>		1	Insert, passenger left, Willie G Skull	50501253	Kit 50501145
<input type="checkbox"/>		1	Insert, passenger right, Edge cut	50501254	Kit 50501146
<input type="checkbox"/>		1	Insert, passenger left, Edge cut	50501255	Kit 50501146

**Table 3. Kit Contents: Passenger Footboard Pan Kits 50501144, 50501147, 50501610, 50501611**

<input checked="" type="checkbox"/>	Item	Qty	Description	Part No.	Notes
<input type="checkbox"/>	2	2	Footboard pan, passenger, chrome	50501264	Kit 50501144
<input type="checkbox"/>		1	Footboard pan, passenger right, chrome	50501263	Kit 50501147
<input type="checkbox"/>		1	Footboard pan, passenger left, chrome	50501262	Kit 50501147
<input type="checkbox"/>		2	Footboard pan, passenger, black	50501261	Kit 50501610
<input type="checkbox"/>		1	Footboard pan, passenger, right, black	50501260	Kit 50501611
<input type="checkbox"/>		1	Footboard pan, passenger, left, black	50501259	Kit 50501611
<input type="checkbox"/>	3	4	Pivot pin	50933-86A	
<input checked="" type="checkbox"/>	A		Spring and ball		Part of item B
<input checked="" type="checkbox"/>	B		Footboard support bracket (typical bracket shown)		Purchase separately

**Table 4. Kit Contents: Passenger Footboard Pan and Insert Kits 50500437, 50501266**

<input checked="" type="checkbox"/>	Item	Qty	Description	Part No.	Notes
<input type="checkbox"/>	1	1	Footboard insert, passenger, right, chrome	50500378	Kit 50500437
<input type="checkbox"/>		1	Footboard insert, passenger, left, chrome	50500384	Kit 50500437
<input type="checkbox"/>		1	Footboard insert, passenger, right, black	50501026	Kit 50501266
<input type="checkbox"/>		1	Footboard insert, passenger, left, black	50501025	Kit 50501266
<input type="checkbox"/>	2	1	Footboard pan, passenger, right, chrome	50500377	Kit 50500437
<input type="checkbox"/>		1	Footboard pan, passenger, left, chrome	50500384	Kit 50500437
<input type="checkbox"/>		1	Footboard pan, passenger, right, black	50501072	Kit 50501266
<input type="checkbox"/>		1	Footboard pan, passenger, left, black	50501073	Kit 50501266
<input type="checkbox"/>	3	4	Pivot pin	50933-86A	
<input checked="" type="checkbox"/>	A		Spring and ball		Part of item B
<input checked="" type="checkbox"/>	B		Footboard support bracket (typical bracket shown)		Purchase separately

**Table 5. Kit Contents: Passenger Footboard Pan and Insert Kits 50501151, 50501228**

<input checked="" type="checkbox"/>	Item	Qty	Description	Part No.	Notes
<input type="checkbox"/>	1	1	Footboard assembly, passenger right, chrome	50501155	Kit 50501151
<input type="checkbox"/>		1	Footboard assembly, passenger left, chrome	50501154	Kit 50501151
<input type="checkbox"/>		1	Footboard assembly, passenger right, black	50501158	Kit 50501228
<input type="checkbox"/>		1	Footboard assembly, passenger left, black	50501157	Kit 50501228
<input type="checkbox"/>	2	1	Footboard pan, passenger right, chrome	50501211	Kit 50501151
<input type="checkbox"/>		1	Footboard pan, passenger left, chrome	50501210	Kit 50501151
<input type="checkbox"/>		1	Footboard pan, passenger right, black	50501209	Kit 50501228
<input type="checkbox"/>		1	Footboard pan, passenger left, black	50501208	Kit 50501228
<input type="checkbox"/>	3	2	Screw, stainless steel	2548	Kit 50501151
<input type="checkbox"/>		2	Screw, black	2361	Kit 50501228

**NOTE**

Verify all contents are present in the kit before installing or removing items from vehicle.

Verify use of most current version of instruction sheet at: [www.harley-davidson.com/isheets](http://www.harley-davidson.com/isheets)

Contact Harley-Davidson Customer Support Center at 1-800-258-2464 (U.S. only) or 1-414-343-4056.

**GENERAL**

**Models**

See the P&A Retail Catalog or the Parts and Accessories section of [www.harley-davidson.com](http://www.harley-davidson.com) (English only) for model fitment information.

**REMOVE**

**If passenger footboards are currently installed:**

1. See Figure 2 and Figure 3.
2. Tilt footboard (1) to the "up" position.
3. Remove underside chrome footboard covers if equipped.

4. Use a small flat-blade screwdriver to push rubber beads on pad up through holes in footboard pan.
5. Remove pad.
6. Tap one pivot pin (3 or C) out of pivot hole with a brass drift and rubber mallet.
7. Remove pin.
8. Repeat for second pin.
9. Remove footboard from support bracket (B). Retain ball and spring (A).

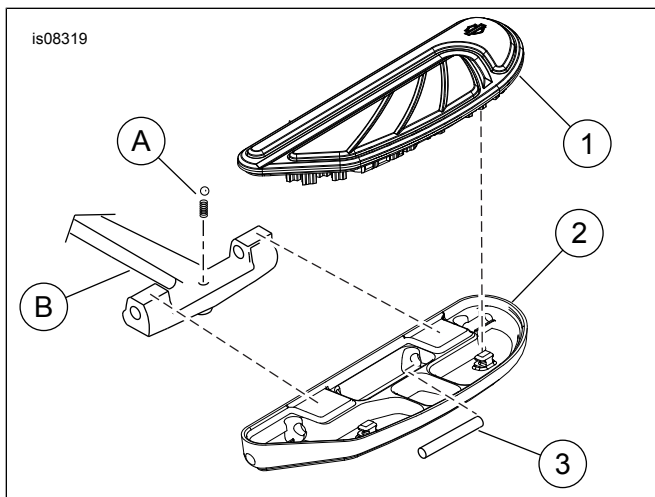
## INSTALL

1. **If passenger footboards are not currently installed:** See Figure 2 and Figure 3. Install footboard support bracket (B) (purchased separately).
2. **For all models:** Place footboard pan on support in the down position. Do not unseat ball and spring (A).
3. Install pivot pins (3 or C).
4. If necessary, use a brass drift and rubber mallet and tap pins until centered in the lugs of support.
5. Apply liquid dishwashing soap to nubs on footboard insert.
6. Push footboard insert firmly into footboard pan.
7. **Kits 50501151 or 50501228:** See Figure 3. Install screw (3).
  - a. Squeeze footboard assembly together with footboard pan.
  - b. Install screw (3) into underside of footboard pan. Tighten. 1.4–1.9 N·m (12–17 **in-lbs**)
8. Repeat previous steps for other footboard.

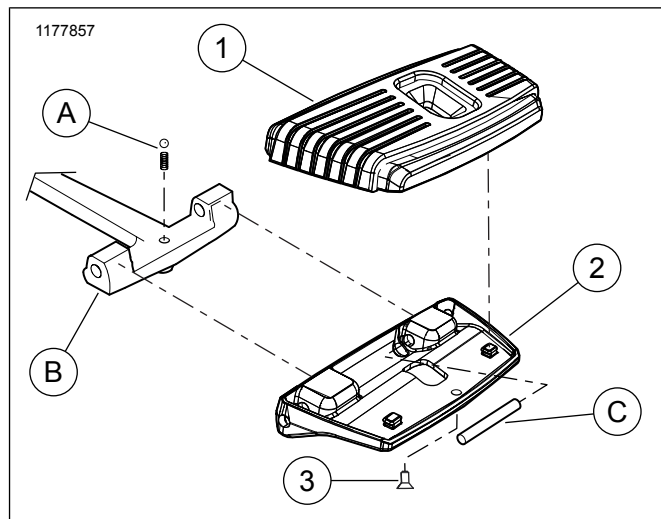
### NOTE

*Avoid contact of chrome surfaces with abrasive materials, such as stones and sand.*

## SERVICE PARTS



**Figure 2. Service Parts: Airflow Passenger Footboard**



**Figure 3. Service Parts: Airflow Passenger Footboard (Kits 50501151, 50501228)**