



# INSTRUCTIONS

J05599

2023-06-07



## SADDLEBAG GUARD KIT

### GENERAL INFORMATION

Table 1. General Information

Kits	Suggested Tools	Skill Level
90200787, 90200788, 90202507, 90202508	Safety Glasses, Torque Wrench	

### KIT CONTENTS

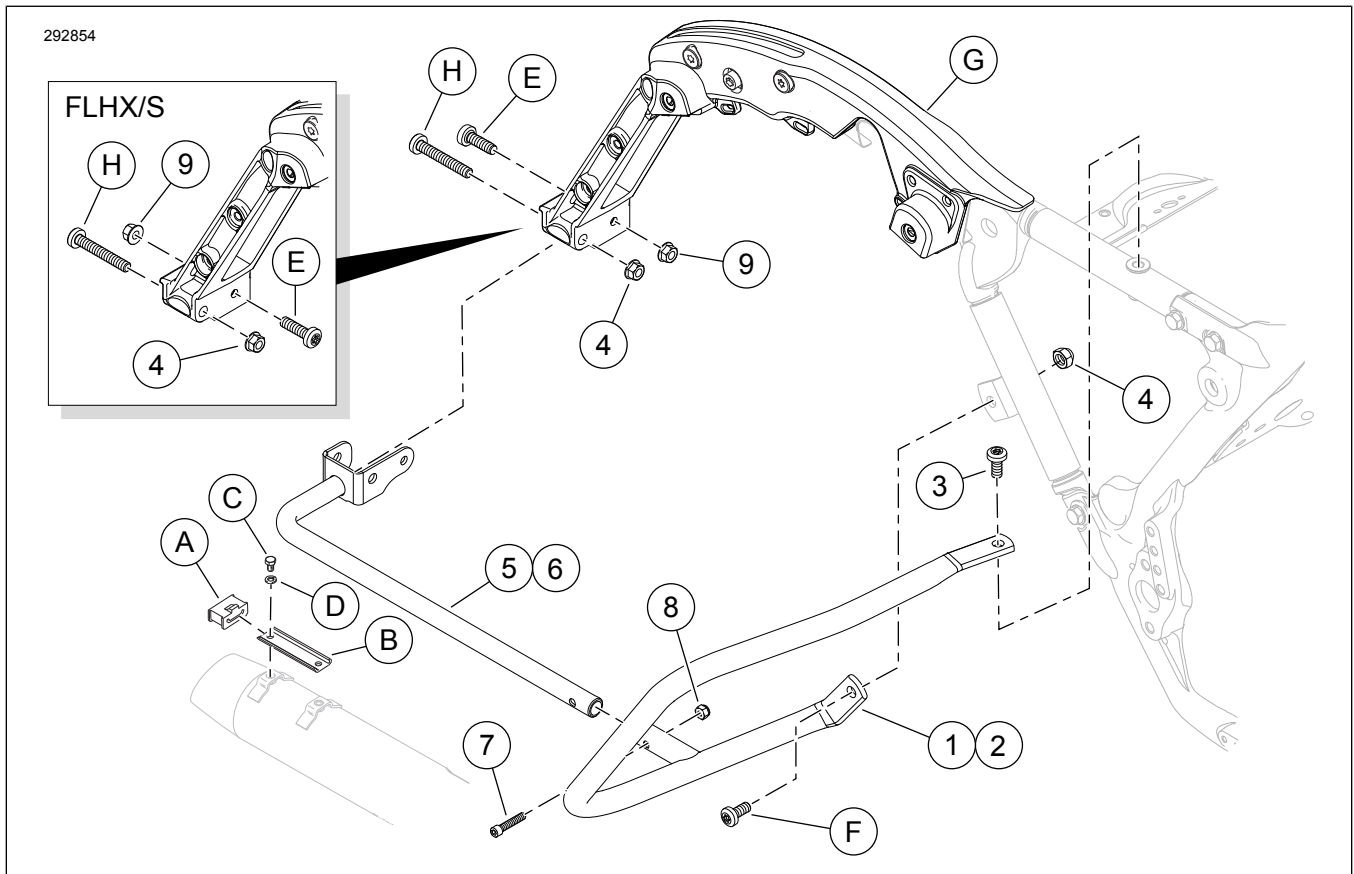


Figure 1. Kit Contents: Saddlebag Guard Kit

**Table 2. Kit Contents: Saddlebag Guard Kit**

<input checked="" type="checkbox"/>	Item	Qty	Description	Part No.	Notes
<input type="checkbox"/>	1	1	Saddlebag guard, front, right (shown)	90200507	Kit 90200787 (chrome)
<input type="checkbox"/>		1	Saddlebag guard, front, right (shown)	90200789	Kit 90200788 (black)
<input type="checkbox"/>		1	Saddlebag guard, front, right (shown)	90202540	Kit 90202507 (chrome)
<input type="checkbox"/>		1	Saddlebag guard, front, right (shown)	90202538	Kit 90202508 (black)
<input type="checkbox"/>	2	1	Saddlebag guard, front, left (not shown)	90200506	Kit 90200787 (chrome)
<input type="checkbox"/>		1	Saddlebag guard, front, left (not shown)	90200790	Kit 90200788 (black)
<input type="checkbox"/>		1	Saddlebag guard, front, left (not shown)	90202539	Kit 90202507 (chrome)
<input type="checkbox"/>		1	Saddlebag guard, front, left (not shown)	90202537	Kit 90202508 (black)
<input type="checkbox"/>	3	2	Screw, TORX, button head 3/8-16 x 7/8 in	4924	
<input type="checkbox"/>	4	4	Flanged locknut, 3/8-16	7601	
<input type="checkbox"/>	5	1	Tube assembly, right (black) (shown)	90200504	
<input type="checkbox"/>	6	1	Tube assembly left (black) (not shown)	90200505	
<input type="checkbox"/>	7	2	Cap screw, hex socket head, 1/4-20 x 1¼ in	3601	
<input type="checkbox"/>	8	2	Hex locknut, 1/4-20 with nylon insert	7686	
<input type="checkbox"/>	9	2	Flanged locknut, 5/16-18	7531	
Items mentioned in text, but not included in kit:					
<input type="checkbox"/>	A	2	Original Equipment (OE) rubber exhaust mount		
<input type="checkbox"/>	B	2	OE exhaust mounting bracket		
<input type="checkbox"/>	C	4	OE hex head screw 5/16-18 x 1/2 in		
<input type="checkbox"/>	D	4	OE split lockwasher		
<input type="checkbox"/>	E	2	OE TORX head self tapping screw, 5/16-18 x 1 in		
<input type="checkbox"/>	F	2	OE Screw 3/8-16		
<input type="checkbox"/>	G	2	OE saddlebag support casting (right side shown)		
<input type="checkbox"/>	H	2	OE TORX head screw, 3/8-16 x 2¼ in		

**NOTE**

Verify that all contents are present in the kit before installing or removing items from vehicle.

Verify use of most current version of instruction sheet at: [www.harley-davidson.com/isheets](http://www.harley-davidson.com/isheets)

Contact Harley-Davidson Customer Support Center at 1-800-258-2464 (U.S. only) or 1-414-343-4056.

**GENERAL**

**Models**

For model fitment information, see the Parts and Accessories (P&A) Retail Catalog or the Parts and Accessories section of [www.harley-davidson.com](http://www.harley-davidson.com)

**Installation Requirements**

**NOTE**

**For vehicles equipped with security siren:** Verify that Hands-Free Fob is present.

**▲ WARNING**

Rider and passenger safety depend upon the correct installation of this kit. Use the appropriate service manual procedures. If the procedure is not within your capabilities or you do not have the correct tools, have a Harley-Davidson dealer perform the installation. Improper installation of this kit could result in death or serious injury. (00333b)

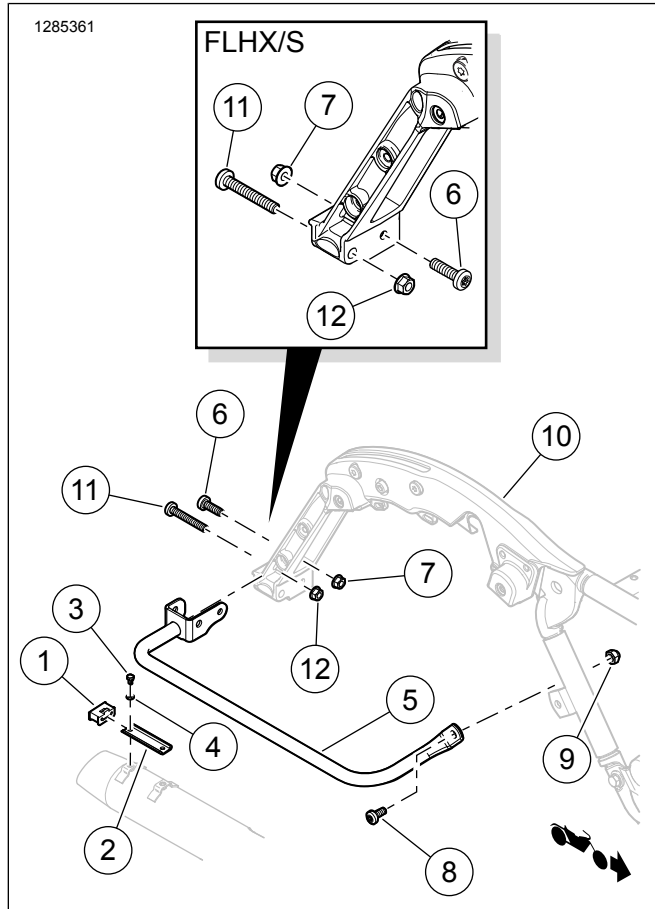
**▲ WARNING**

If Equipped: Front and/or rear guards are not intended to provide protection from bodily injury in a collision with another vehicle or any other object. (00022d)

**NOTE**

This instruction sheet references service manual information. A service manual for the year and model motorcycle is required for this installation and is available from:

- A Harley-Davidson dealer.
- H-D Service Information Portal, a subscription-based access available for most 2001 and newer models. For more information, see Frequently ask questions about subscriptions



**Figure 2. Remove Saddlebag Support (right side shown)**

**Table 3. Original Saddlebag Support Items**

Item	Description	Notes
1	Rubber exhaust mount	Retain
2	Exhaust mounting bracket	Retain
3	Hex screw (2), 5/16-18 x 1/2 in	Retain
4	Split lockwasher	Retain
5	Saddlebag support	Remove and discard.
6	TORX screw, self tapping, 5/16-18 x 1 in	Retain
7	Flange nut	Remove and discard.
8	Screw, 3/8-16	Retain
9	Locknut	Remove and discard.
10	Saddlebag support casting	
11	TORX screw, self tapping, 3/8-16 x 2 3/4 in	Retain
12	Locknut	Remove and discard.

**PREPARE**

1. Remove saddlebags. See service manual.
2. Remove seat. See service manual.
3. Remove side covers. See service manual.

**REMOVE**

1. See Figure 2. Unfasten existing saddlebag support tube from muffler.
  - a. Remove and retain hex screws (3), lockwashers (4), rubber mount (1) and bracket (2) securing muffler to saddlebag support tube (5).
2. Unfasten current saddlebag support tube from saddlebag support casting.
  - a. Remove screw (6) and flange nut (7) retaining rear of saddlebag support tube to saddlebag support casting (10).
  - b. Retain screw (6) for later use.
  - c. Discard nut (7).
3. Unfasten front of saddlebag support from frame downtube.
  - a. Remove screw (8) and locknut (9) retaining front of saddlebag support.
  - b. Retain screw (8) for later use.
  - c. Discard nut (9).
4. Unfasten rear of saddlebag support tube from support casting.
  - a. Remove screw (11) and flange nut (12) retaining rear of saddlebag support tube to support casting (10).
  - b. Retain screw (11) for later use.
  - c. Discard nut (12).

## INSTALL

1. See Figure 1. Install rear of **new** saddlebag support tube (5 or 6) to saddlebag support casting (G).
  - a. Loosely install screw (H, removed earlier) and flange nut (4).
2. Install front saddlebag guard (1 or 2) to saddlebag support tube (5 or 6).
  - a. Install short tube on guard (1 or 2) onto front of saddlebag support tube (5 or 6).
3. Install guard to vehicle upper frame tube and frame downtube.
  - a. Loosely install screw (3) to secure front saddlebag guard (1 or 2) to upper frame.
  - b. Loosely install screw (F, removed earlier) and flange nut (4) to secure guard to frame downtube.
4. Align holes in saddlebag guard short tube and saddlebag support tube.
  - a. Install hex socket head screw (7).
  - b. Install locknut (8). Do not fully tighten.
5. Loosely assemble muffler to saddlebag support rail.
  - a. Attach muffler to support rail. Install flanged hex head screws (C), lockwashers (D), rubber mount (A) and bracket (B) that was removed earlier.

### NOTE

- For models **Except FLHX/S**: Install screw (E), from rear, through fender rear support bracket, saddlebag support casting (G) and inboard hole of saddlebag support tube as shown in Figure 1.
  - For **FLHX/S models**: Install screw (E), from front, through inboard hole of saddlebag support tube, saddlebag support casting (G) and fender rear support bracket as shown in Figure 1 inset.
6. Tighten screw (E, removed earlier) and flange nut (9) from rear of saddlebag support tube to saddlebag support casting (G).  
Torque: 20–27 N·m (15–20 ft-lbs)
  7. Tighten screw (H) and flange nut (4).  
Torque: 40.5–50 N·m (30–37 ft-lbs)
  8. Tighten screw (3) at upper frame tube.  
Torque: 43.5–49 N·m (32–36 ft-lbs)
  9. Tighten screw (F) and nut (4) at frame downtube.  
Torque: 43.5–49 N·m (32–36 ft-lbs)
  10. Tighten screw (7) and locknut (8) at front of saddlebag support tube.  
Torque: 8–11.3 N·m (71–100 **in-lbs**)

11. Tighten hex screws (C).  
Torque: 10.8–16.3 N·m (96–144 **in-lbs**)
12. Repeat procedure on opposite side of vehicle.

## COMPLETE

1. Install seat. After installing seat, pull up on seat to verify that it is secure. See service manual.
2. Install side covers. See service manual.
3. Install saddlebags. See service manual.