



INSTRUCTIONS

J04733

2024-01-23



RIDER BACKREST MOUNTING HARDWARE KIT

Table 1. General Information

Kits	Suggested Tools	Skill Level ⁽¹⁾
52589-09B	Safety Glasses, Torque Wrench, Hex Wrench 3/16 in.	

(1) Tightening to torque value or other moderate tools and techniques required

KIT CONTENTS

1830216

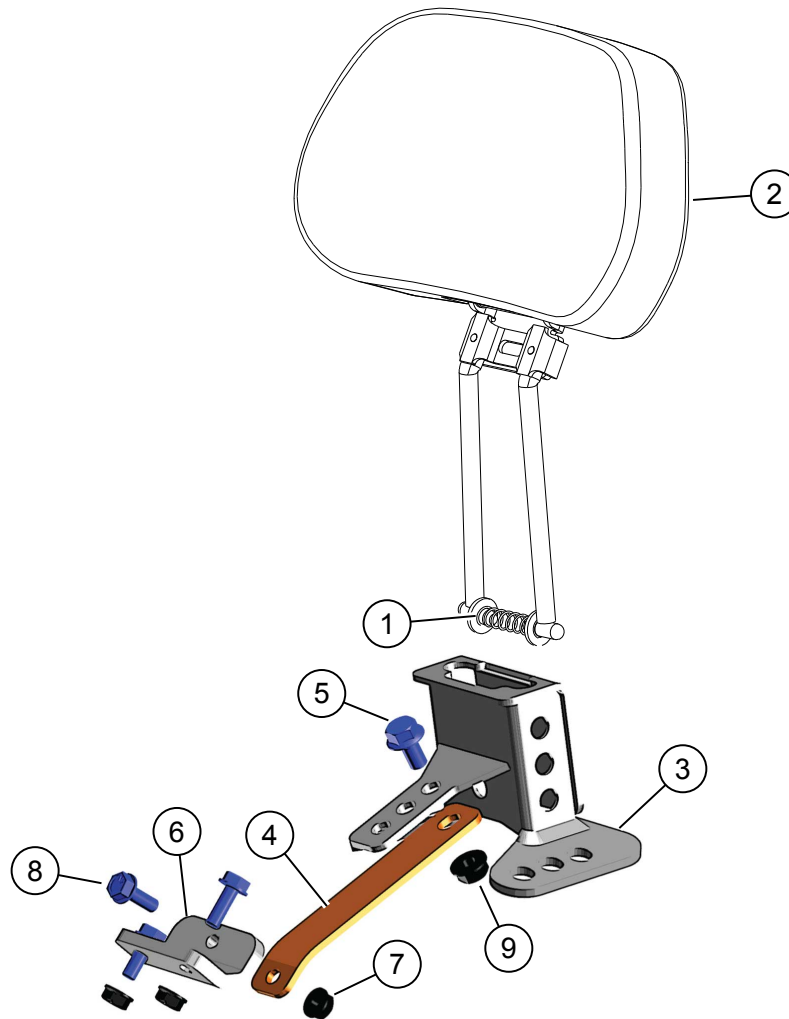


Figure 1. Kit Contents: Rider Backrest Components

Table 2. Kit Contents: Rider Backrest Components

<input checked="" type="checkbox"/>	Item	Qty	Description	Part No.	Notes
Backrest Kit					
<input type="checkbox"/>	1	1	Compression spring	10406	
<input type="checkbox"/>	2	1	Backrest	Sold separately	
Mounting Hardware Kit					
<input type="checkbox"/>	3	1	Backrest mounting bracket	Not sold separately	
<input type="checkbox"/>	4	1	Support bracket	Not sold separately	
<input type="checkbox"/>	5	1	Bolt, 5/16-18 x 5/8 inch	3546	20.3 N·m (15 ft-lbs)
<input type="checkbox"/>	6	1	Front mounting bracket	52590-09	
<input type="checkbox"/>	7	3	Flange nut	7716	8.1 N·m (72 in-lbs)
<input type="checkbox"/>	8	3	Flange screw	3574	
<input type="checkbox"/>	9	1	Locking flange nut	7531	6.8–10.8 N·m (5–8 ft-lbs)

NOTE

Verify all contents are present in the kit before installing or removing items from vehicle.

GENERAL

Models

For model fitment information, please see the P&A Retail Catalog or the Parts and Accessories section of www.harley-davidson.com (English only).

Ensure you are using the most current version of the instruction sheet which is available at: www.harley-davidson.com/isheets

Contact Harley-Davidson Customer Support Center at 1-800-258-2464 (U.S. only) or 1-414-343-4056.

Installation Requirements

▲ WARNING

Rider and passenger safety depend upon the correct installation of this kit. Use the appropriate service manual procedures. If the procedure is not within your capabilities or you do not have the correct tools, have a Harley-Davidson dealer perform the installation. Improper installation of this kit could result in death or serious injury. (00333b)

NOTE

This instruction sheet references service manual information. A service manual for this year/model motorcycle is required for this installation. One is available from a Harley-Davidson dealer.

REMOVE

1. Remove seat. See service manual.
2. Remove Electronic Control Module (ECM) caddy/battery cover by removing two screws.

INSTALL

1. See Figure 2 and Figure 3 for mounting locations of the brackets.

NOTE

Some seats may limit the fore/aft mounting location of the backrest bracket.

2. See Figure 1. Remove plastic protective cap and locknut from stud.
3. Leave small plastic washer in place or stud plate will fall out.
4. With backrest mounting bracket tab facing forward, attach backrest mounting bracket (3) to stud plate with stock locknuts from stud plate.
5. Secure locknuts. Tighten.
Torque: 6.8–10.8 N·m (5–8 ft-lbs)
6. Attach front mounting bracket (6) to frame crossmember using two flange screws (8) and flange nuts (7). Tighten.
Torque: 8.1 N·m (72 in-lbs)
 - a. Install screw (5) and nut (9) to bracket support.
7. Attach bracket support (4) to front mounting bracket (6) with screw (8) and nut (7).
8. Tighten screw (5) and nut (9).
Torque: 20.3 N·m (15.0 ft-lbs)

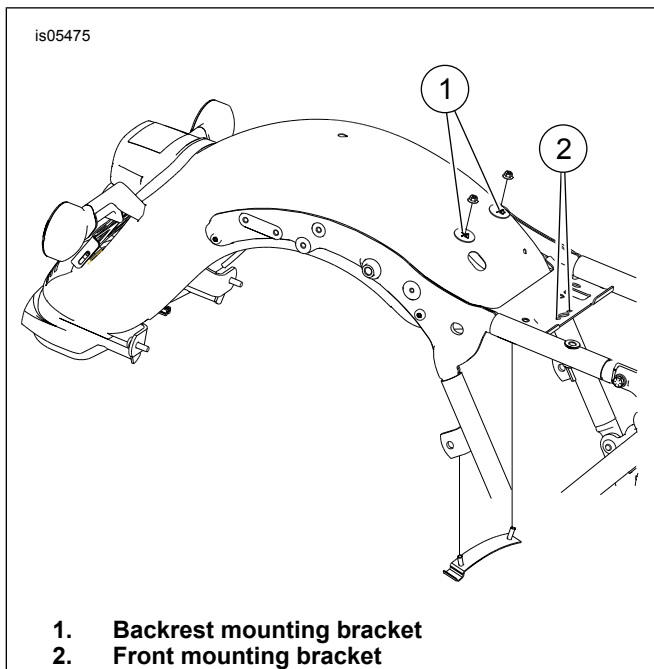


Figure 2. Bracket Mounting Locations

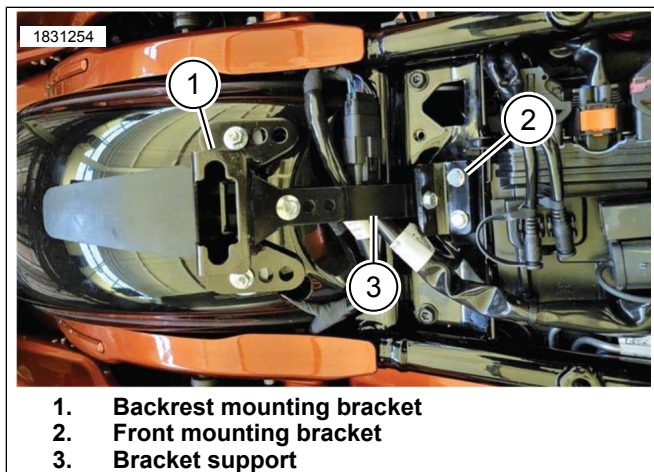


Figure 3. Backrest Mounted

3. If possible, do not remove set screw because it is difficult to install.

9. Install ECM caddy/battery cover using two screws previously removed. Tighten.
Torque: 8.1–10.8 N·m (6–8 ft-lbs)
10. Install seat. After installing seat, pull up on the seat to verify that it is secure. See service manual.
11. Hold slit between rider and passenger seat open.
12. On rider backrest, compress backrest rods and spring.
13. Insert rods into backrest mounting bracket.

Backrest Pad Adjustment

1. Adjust fore/aft position of backrest pad.
2. Use 3/16 inch hex wrench to adjust set screw that is accessible through eyelet opening on rear of pad.