



INSTRUCTIONS

J05741

2019-01-15



PASSENGER FOOTPEG KIT

Table 1. General Information

Kits	Suggested Tools	Skill Level ⁽¹⁾	Time
50500270	Safety Glasses, Torque Wrench		1 hour

(1) Tightening to torque value or other moderate tools and techniques required

KIT CONTENTS

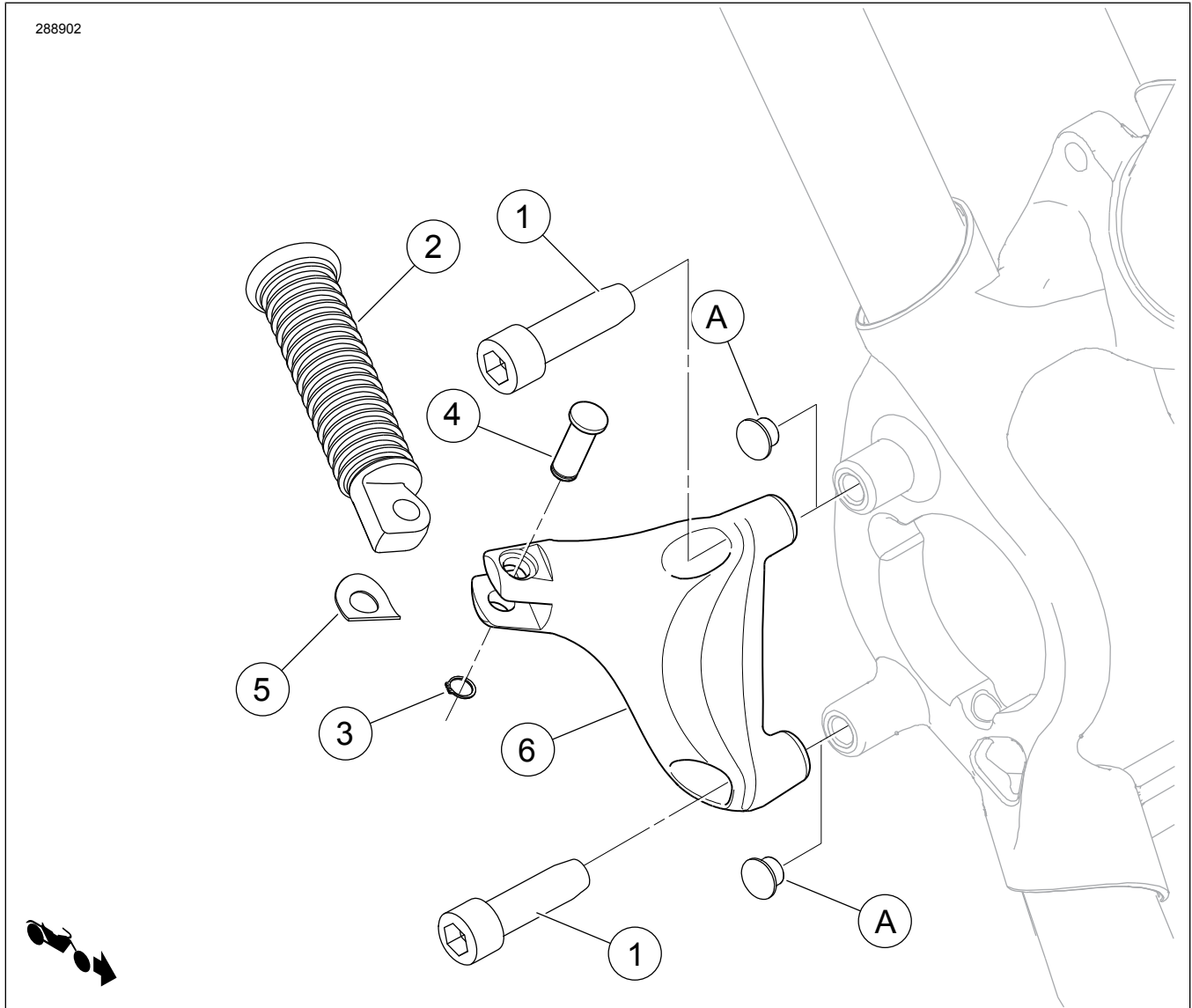


Figure 1. Kit Contents: Passenger Footpeg Mounting Kit

Table 2. Kit Contents: Passenger Footpeg Mounting Kit

<input checked="" type="checkbox"/>	Item	Qty	Description	Part No.	Notes
<input type="checkbox"/>	1	3	Screw	3214	61–68 N·m (45–50 ft-lbs)
<input type="checkbox"/>	2	2	Passenger peg assembly	33048-72	
<input type="checkbox"/>	3	2	Retaining ring	11304	
<input type="checkbox"/>	4	2	Clevis	45041-0A	
<input type="checkbox"/>	5	2	Spring clip	50912-72	
<input type="checkbox"/>	6	1	Passenger support bracket, right side (shown)	50500233	
<input type="checkbox"/>		1	Passenger support bracket, left side (not shown)	49315-04	
Items mentioned in text but not included in kit.					
<input checked="" type="checkbox"/>	A	2	Hole plugs, plastic, black		

NOTE

Verify all contents are present in the kit before installing or removing items from vehicle.

GENERAL

Models

For model fitment information, please see the P&A Retail Catalog or the Parts and Accessories section of www.harley-davidson.com (English only).

Ensure you are using the most current version of the instruction sheet which is available at: www.harley-davidson.com/isheets

Contact Harley-Davidson Customer Support Center at 1-800-258-2464 (U.S. only) or 1-414-343-4056.

This kit fits all Harley-Davidson motorcycles equipped with "male mount" style footpeg supports.

Installation Requirements

⚠ WARNING

Rider and passenger safety depend upon the correct installation of this kit. Use the appropriate service manual procedures. If the procedure is not within your capabilities or you do not have the correct tools, have a Harley-Davidson dealer perform the installation. Improper installation of this kit could result in death or serious injury. (00333b)

INSTALL

Right Side

1. Remove and discard black plastic hole plugs (A) in frame. See service manual.
2. Remove the rear master cylinder. See service manual.
3. Remove and discard bracket.

4. Save screws for installation of new bracket
5. Obtain right-side passenger support bracket (6) and one screw (1) from kit.
6. Install bracket to frame and secure the three screws. Tighten.
Torque: 61–68 N·m (45–50 ft-lbs) screw
7. Install rear master cylinder. See service manual.

NOTE

- Spring clip goes between the jaws of the passenger support bracket along with the mounting end of the footpeg.
- Footpegs must be installed in the bracket with the rounded side of the mounting end inboard. When footpegs are properly installed, footpegs will fold upward at a 45° angle toward the rear of the motorcycle.

⚠ WARNING

Footrests must fold up and toward rear of motorcycle if struck. Failure to set footrests to fold up and back could result in death or serious injury. (00366a)

8. Install a passenger footpeg (2) on passenger support bracket as shown using clevis pin (4), spring clip (5), and retaining ring (3) from kit.

Left Side

1. Remove and discard the screw retaining the double-tube rear brake line clamp.
2. Remove and discard the black plastic hole plug in the lower hole.
3. Obtain left-side passenger support bracket and two new screws (1) from kit.

4. Install bracket over rear brake line clamp. Secure the two screws. Tighten.

Torque: 61–68 N·m (45–50 ft-lbs) *screw*

⚠ WARNING

Footrests must fold up and toward rear of motorcycle if struck. Failure to set footrests to fold up and back could result in death or serious injury. (00366a)

5. Install a passenger footpeg (2) on passenger support bracket as shown using clevis pin (4), spring clip (5), and retaining ring (3) from kit.